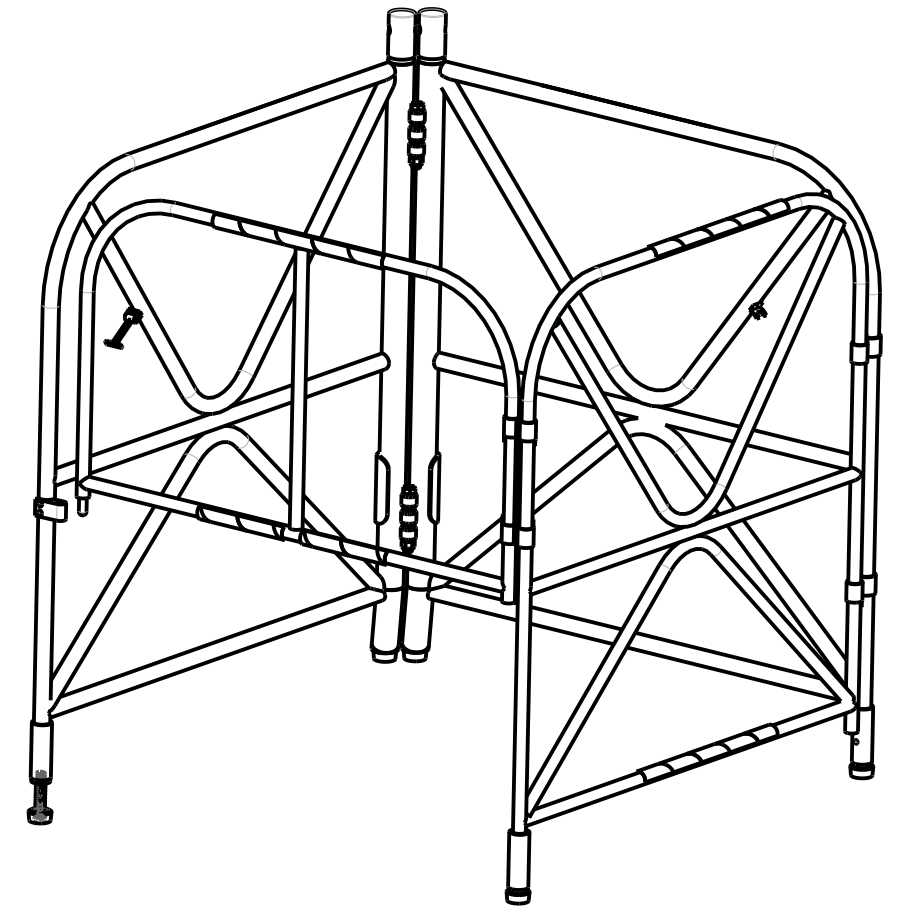
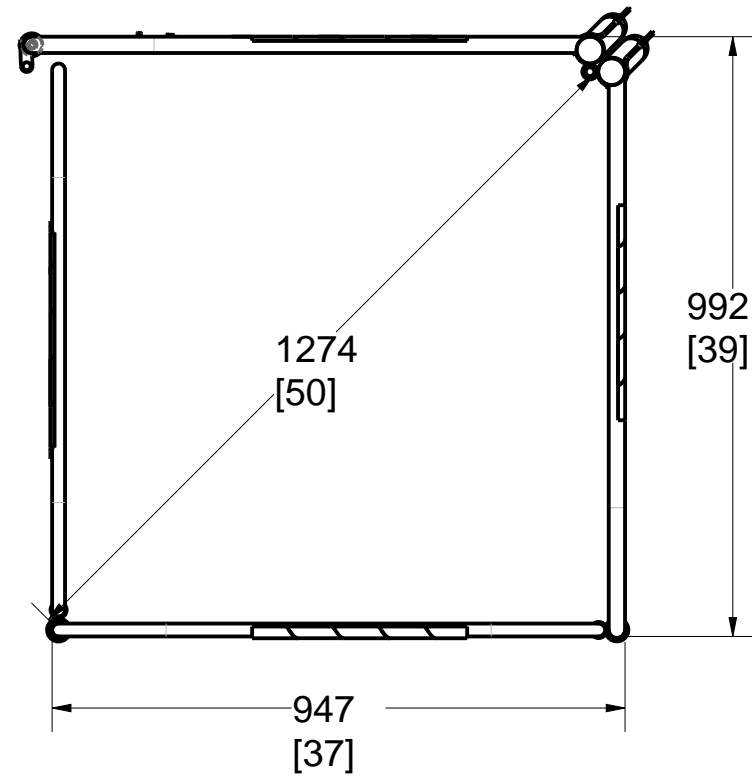
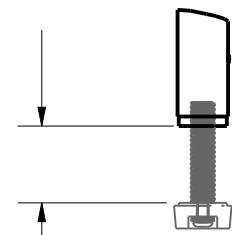


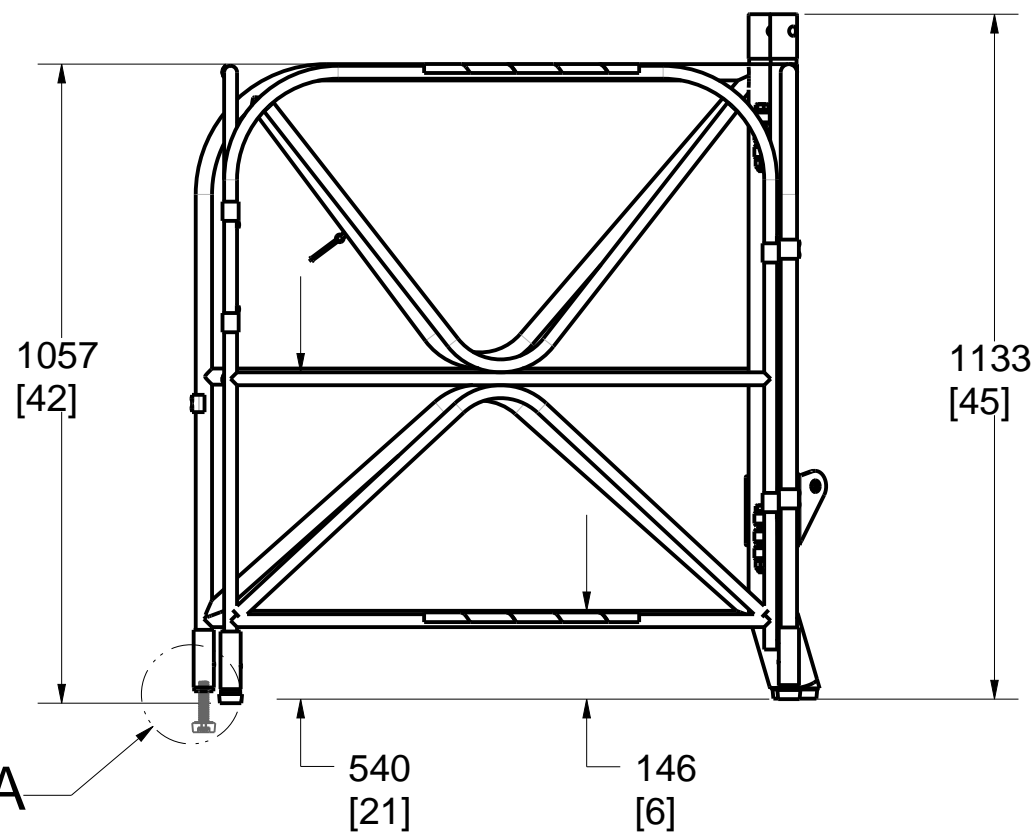
Product number: IN-2108



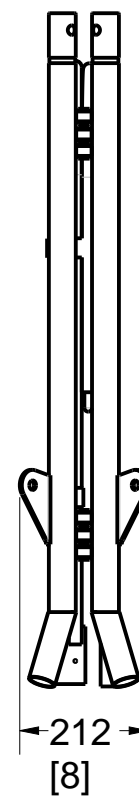
DETAIL A
SCALE 1:5



51
[2]
Max



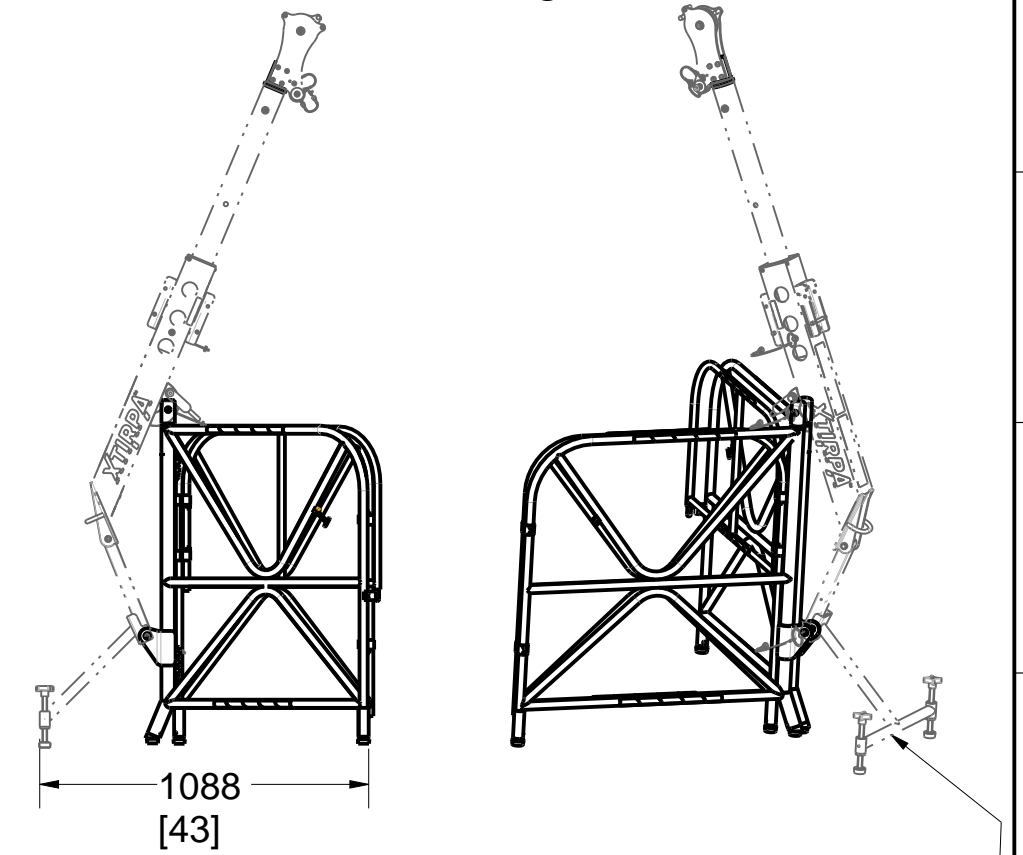
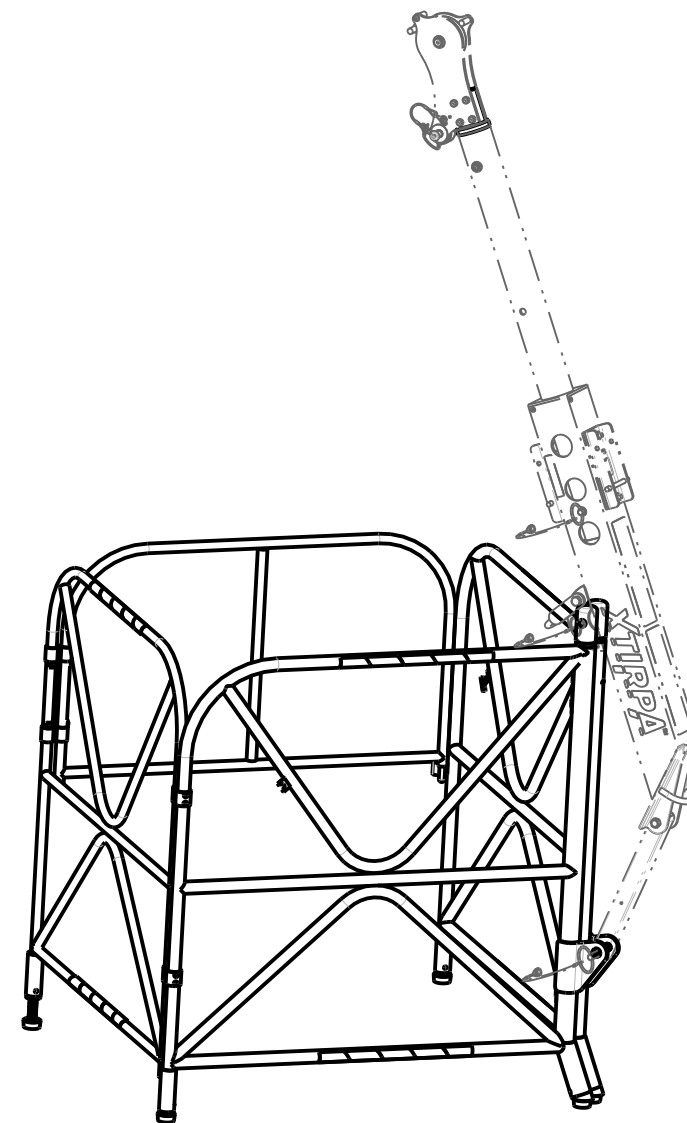
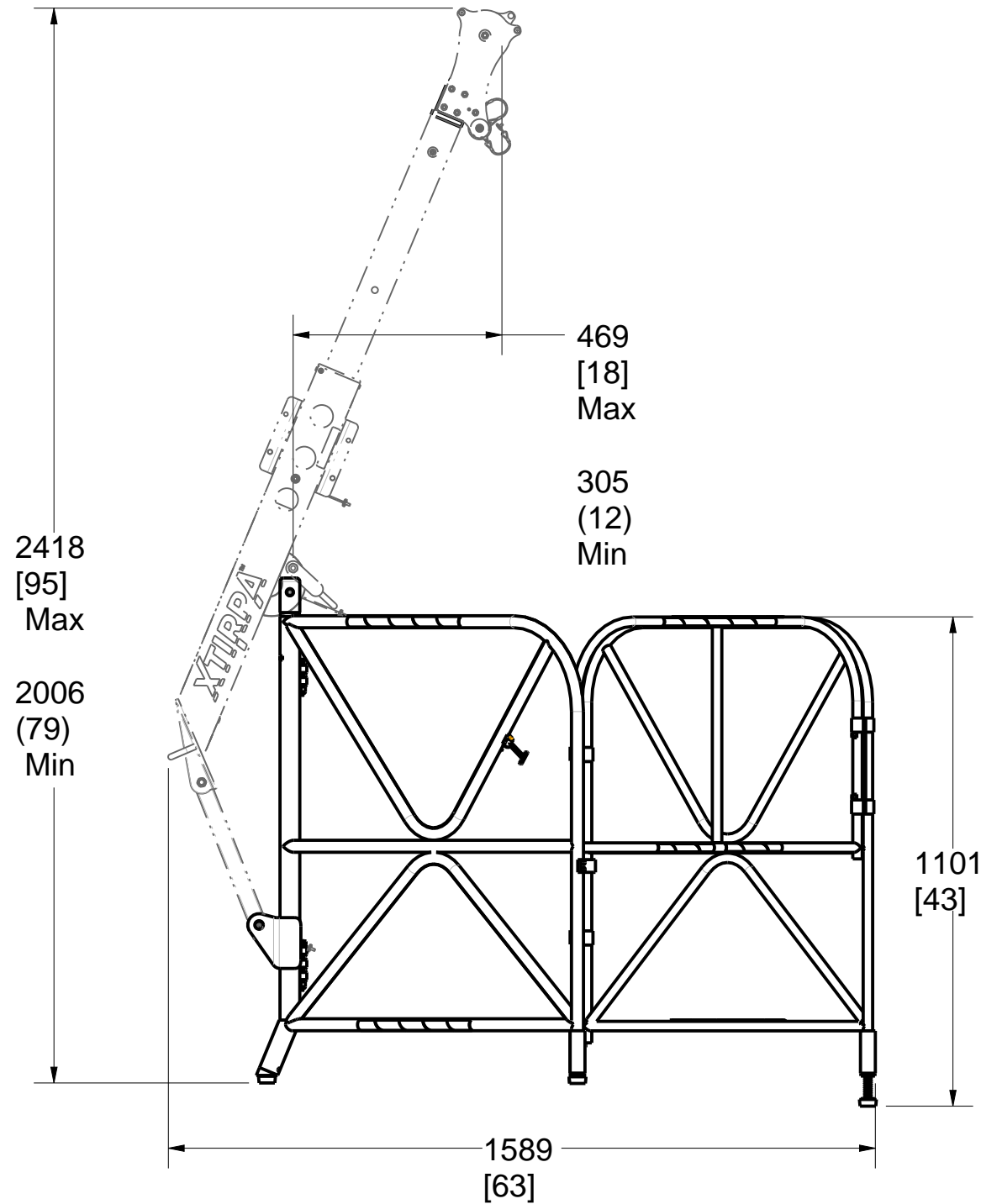
SEE DETAIL A



PAT. NO.: CA 2,479,513 US 7,213,715 B2 EP 03 744 296.9		©2008/03/03	©
PRODUITS DE SERVICE PUBLICS INNOVA INC. INNOVA PUBLIC UTILITY PRODUCTS INC.			
<small>© 9105-0732 QUEBEC INC. and under exclusive license to INNOVA PUBLIC UTILITY PRODUCTS INC., (hereafter « INNOVA »). All rights reserved. Protected under the Copyright Act of Canada and international treaties and agreements regarding copyrights. Violators are subject to prosecution and other legal recourses for infringement. Any reproduction, adaptation or other use or disclosure whatsoever, in totality or in part, and in any form or by any means whatsoever, strictly forbidden and requires the prior written approval of INNOVA. All data is the exclusive property of 9105-0732 QUEBEC INC. and under exclusive license to INNOVA and cannot be used nor disclosed in any way either without the prior written approval of INNOVA.</small>			
WEIGHT:	TITLE:		
33 Lb 15 KG	Portable manhole guard with integrated mast 1067mm (42")		
COLOR: Safety Yellow	MATERIAL: ALu/Duralcan	SHEET(S): 1 / 4	PROJECT: IN-2108

Important:
The load must be applied inside the perimeter of the manhole guard.

When used in a "V" configuration, the front opening must be secured or closed with a guard, a wall or any other means to secure the working area.



A2108-18 stabilizer must be used in "V" position.

CECI EST UN DESSIN PROJECTION
NOM DU FICHER DESSIN: DAZ108-01-ANG.drw
NOM ET TYPE DU FICHER MODELE: DAZ108-01-ASSEM

PAT. NO.:		©2008/03/03	
CA 2.479.513		©	
US 7,213,715 B2			
EP 03 744 296.9			
PRODUITS DE SERVICE PUBLICS INNOVA INC. INNOVA PUBLIC UTILITY PRODUCTS INC.			
<small>© 9105-0732 QUEBEC INC. and under exclusive license to INNOVA PUBLIC UTILITY PRODUCTS INC. (hereafter « INNOVA »). All rights reserved. Protected under the Copyright Act of Canada and international treaties and agreements regarding copyrights. Violators are subject to prosecution and other legal recourses for infringement. Any reproduction, adaptation or other use or disclosure whatsoever, in totality or in part, and in any form or by any means whatsoever, strictly forbidden and requires the prior written approval of INNOVA. All data is the exclusive property of 9105-0732 QUEBEC INC. and under exclusive license to INNOVA and cannot be used nor disclosed in any way either without the prior written approval of INNOVA.</small>			
WEIGHT:	TITLE:		
33 Lb	Portable manhole guard		
15 Kg	with integrated mast 1067mm (42")		
COLOR:	MATERIAL:	SHEET(S):	PROJECT:
Safety Yellow	ALu/Duralcan	2 / 4	IN-2108

Product number: IN-2108

SPECIFICATIONS

H This equipment is considered as part of a personal fall arrest system (PFAS) with a maximum working capacity of 164 Kg (360 lb).

It is only to be used in conjunction with a personal fall arrest system that limits the maximum arrest force (MAF).

G Working Load (mass) :With Davit Arm IN-2002 or IN-2210: 191 kg (420 lb)
 Max Capacity without deformation:
 With Davit Arm fully extended IN-2002 or IN-2210 : 19,798 N (4,440 lbf)
 With Davit Arm IN-2002 or IN-2210 at Anchorage point : 22,295 N (5,000 lbf)
 Maximum Moment : 8,765 N-m (77,580 lbf-in).

F STANDARDS

Meets the following standards:

OSHA Personal fall arrest system - 1910.66 App C
 ANSI Safety requirements for personal fall arrest system, subsystems and components Z359.1 (R1999) / 2007

E CAN/CSA Fall arresters, vertical lifelines, and rails Z259.2.1-98
 CE EN 795:2012 Type B, when used with the IN-2210 davit arm.

MATERIAL AND CONSTRUCTION

D Structural tubes :Structural Aluminum
 Levelling Screws : Stainless Steel and Rubber
 Hardware : Zinc plated steel Gr. 5 and stainless steel
 Finish : Yellow security powder paint with metal protection.
 Welding certification: CSA W47.2M

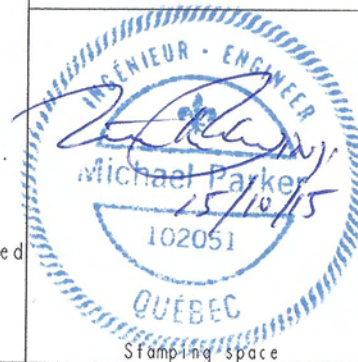
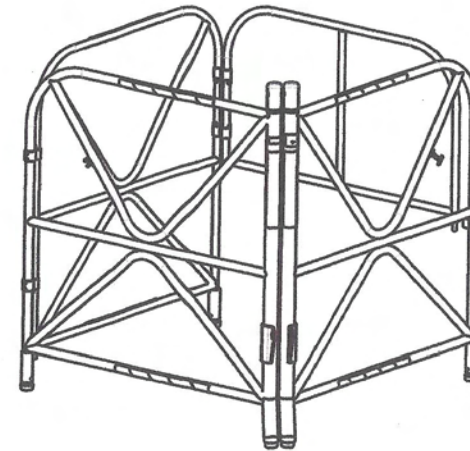
C RESTRICTIONS

This product is to be used only with products approved by Innova Public Utility Products inc.

IMPORTANT :

B ****The positioning pins must always be in place when manoeuvring personnel. Otherwise, serious injuries may occur. Periodic inspections of hardware must be done. In the occurrence of a fall or the safety of the equipment is in doubt, equipment must be immediately removed from service and inspected by qualified personnel before reuse.**

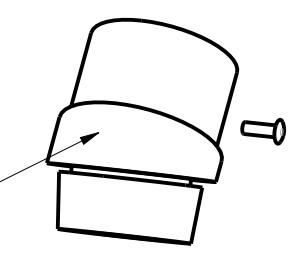
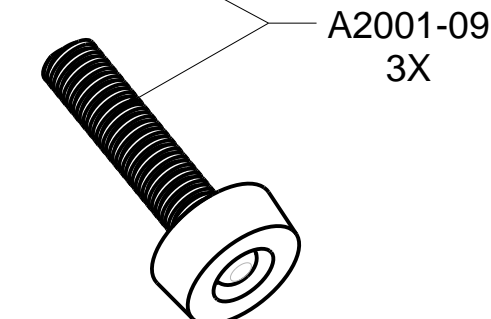
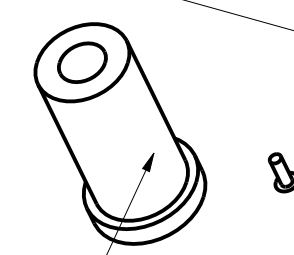
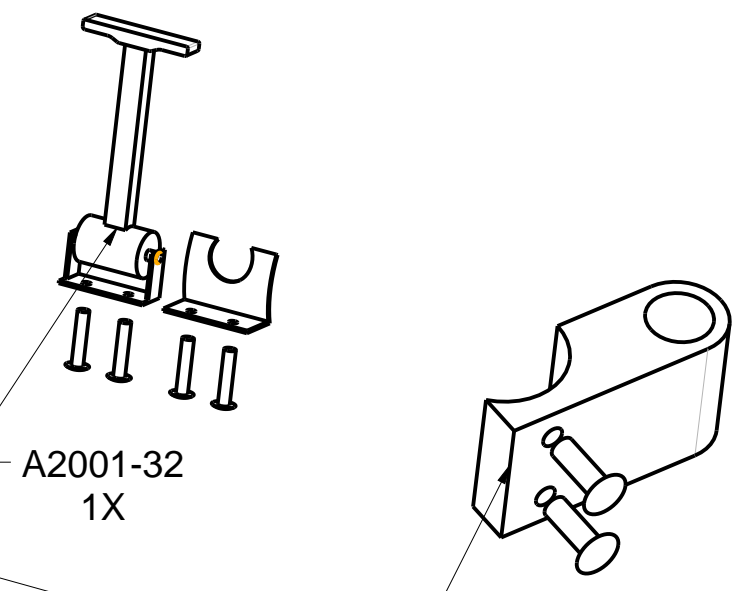
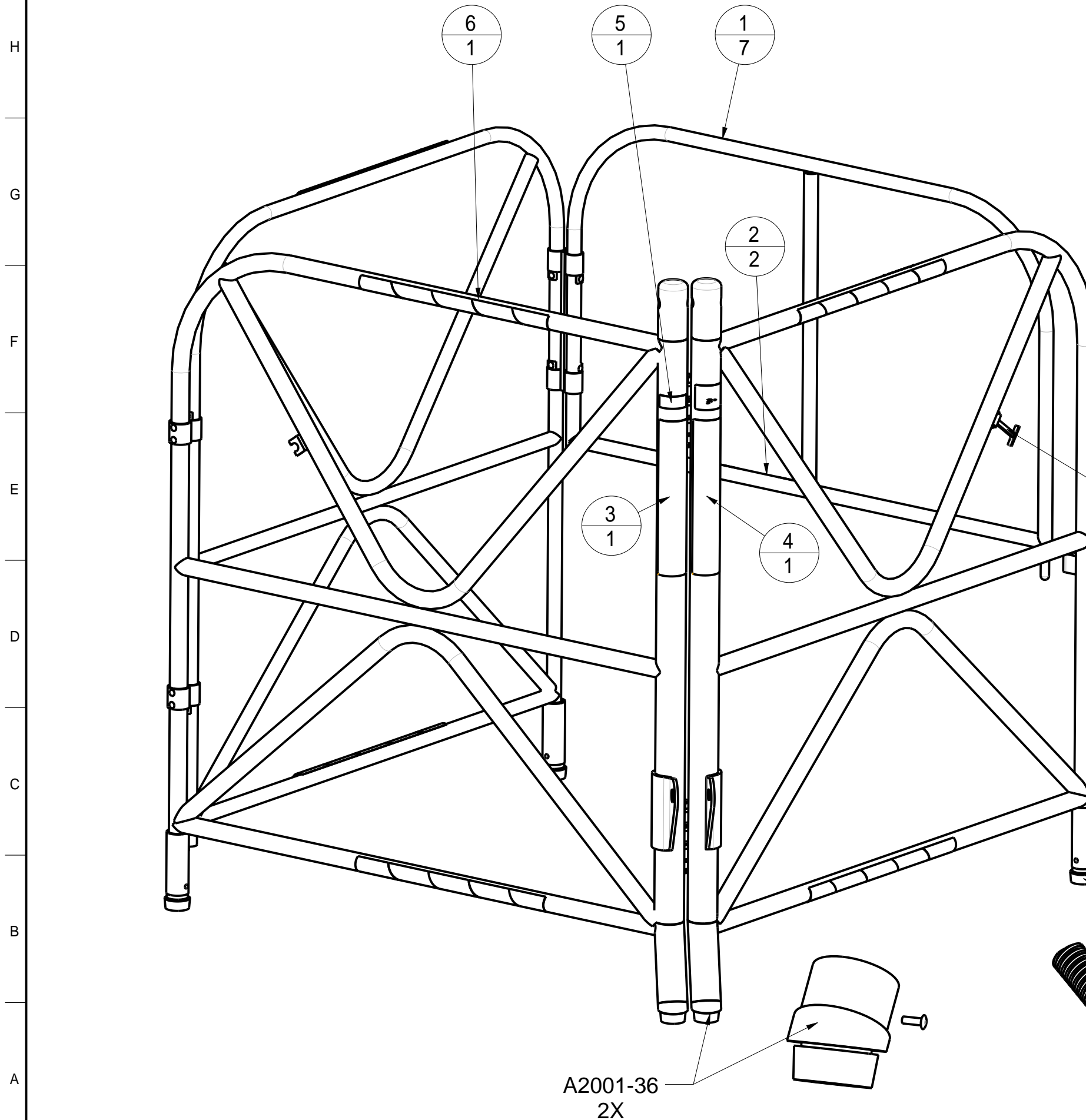
A **** This equipment must always be operated in a level position.**



PAT. NO.:		©2008/03/03 ©	
CA 2,479,513			
US 7,213,715 B2			
EP 03 744 296 9			
PRODUITS DE SERVICE PUBLICS INNOVA INC. INNOVA PUBLIC UTILITY PRODUCTS INC.			
<small>© 9105-0732 QUEBEC INC. and under exclusive license to INNOVA PUBLIC UTILITY PRODUCTS INC. thereafter a INNOVA s). All rights reserved. Protected under the Copyright Act of Canada and international treaties and agreements regarding copyrights. Violators are subject to prosecution and other legal recourse for infringement. Any reproduction, adaptation or other use or disclosure whatsoever, in totality or in part, and in any form or by any means whatsoever, strictly forbidden and requires the prior written approval of INNOVA. All data is the exclusive property of 9105-0732 QUEBEC INC. and under exclusive license to INNOVA and cannot be used nor disclosed in any way either without the prior written approval of INNOVA.</small>			
WEIGHT:	TITLE:		
33 Lb	Portable manhole guard		
15 Kg	with integrated mast 1067mm (42")		
COLOR:	MATERIAL:	SHEETS:	PROJECT:
Safety Yellow	ALU/Duralcan	3 / 4	IN-2108

Product number: **IN-2108**

IDX	QTE	COMPONENT	REV	DESCRIPTION
6	1	S2001-003	04	XTIRPA Label
5	1	S2324-004	Rev.A	Security Label CE type B
4	1	S2108-001	RevF	Instruction label In french
3	1	S2108-002	RevE	Instruction label in English
2	2	S2108-007	01	7" Reflective label
1	7	S2108-008		14" Reflective label



PAT. NO.: CA 2.479.513 US 7,213,715 B2 EP 03 744 296.9		©2008/03/03	©
PRODUITS DE SERVICE PUBLICS INNOVA INC. INNOVA PUBLIC UTILITY PRODUCTS INC.			
<small>© 9105-0732 QUEBEC INC. and under exclusive license to INNOVA PUBLIC UTILITY PRODUCTS INC., (hereafter « INNOVA »). All rights reserved. Protected under the Copyright Act of Canada and international treaties and agreements regarding copyrights. Violators are subject to prosecution and other legal recourses for infringement. Any reproduction, adaptation or other use or disclosure whatsoever, in totality or in part, and in any form or by any means whatsoever, strictly forbidden and requires the prior written approval of INNOVA. All data is the exclusive property of 9105-0732 QUEBEC INC. and under exclusive license to INNOVA and cannot be used nor disclosed in any way either without the prior written approval of INNOVA.</small>			
WEIGHT:	TITLE:		
33 Lb	Portable manhole guard		
15 Kg	with integrated mast 1067mm (42")		
COLOR: Safety Yellow	MATERIAL: ALu/Duralcan	SHEET(S): 4 / 4	PROJECT: IN-2108