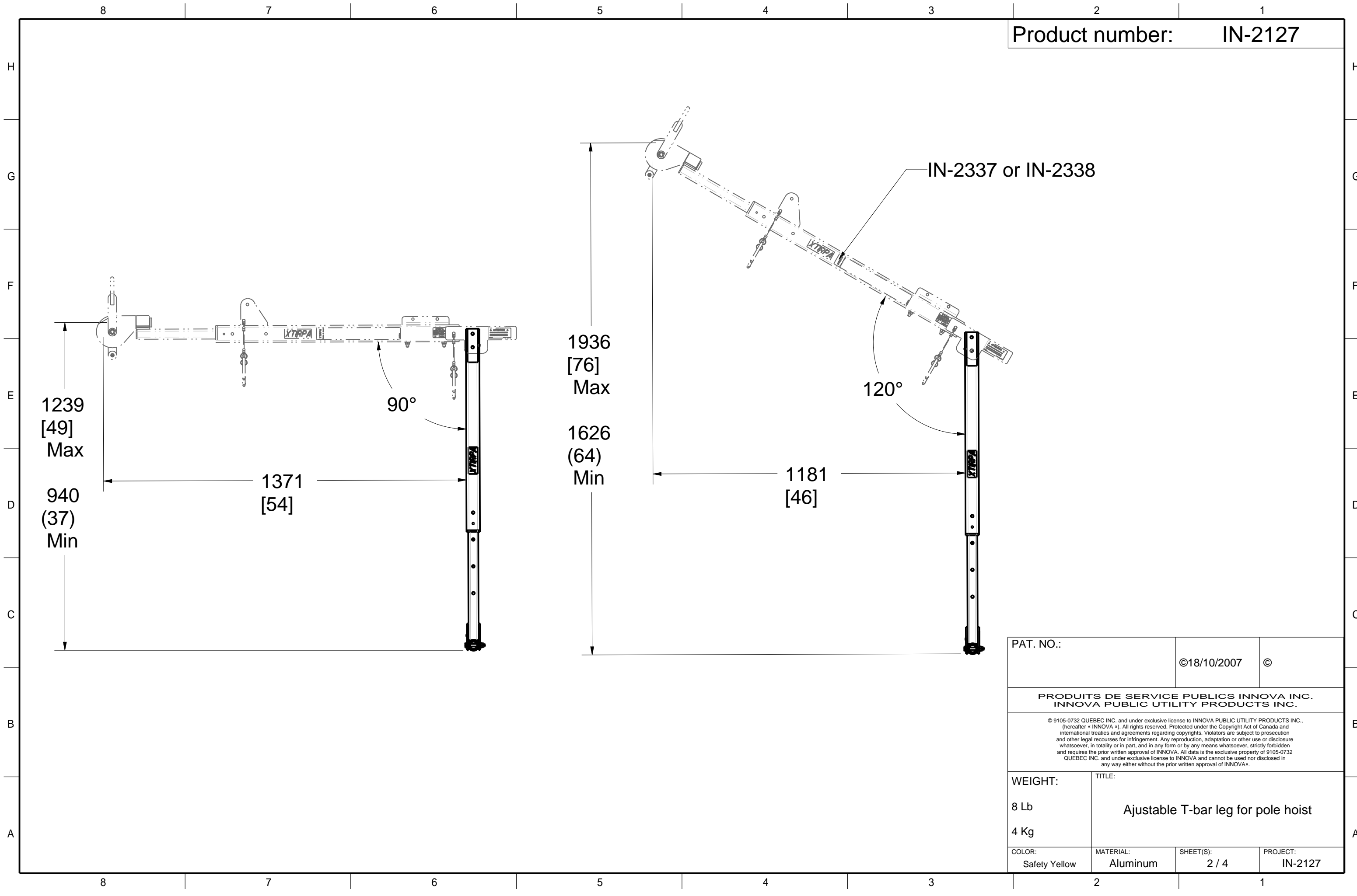


PAT. NO.:		©18/10/2007	©
PRODUITS DE SERVICE PUBLICS INNOVA INC. INNOVA PUBLIC UTILITY PRODUCTS INC.			
<small>© 9105-0732 QUEBEC INC. and under exclusive license to INNOVA PUBLIC UTILITY PRODUCTS INC., (hereafter « INNOVA »). All rights reserved. Protected under the Copyright Act of Canada and international treaties and agreements regarding copyrights. Violators are subject to prosecution and other legal recourses for infringement. Any reproduction, adaptation or other use or disclosure whatsoever, in totality or in part, and in any form or by any means whatsoever, strictly forbidden and requires the prior written approval of INNOVA. All data is the exclusive property of 9105-0732 QUEBEC INC. and under exclusive license to INNOVA and cannot be used nor disclosed in any way either without the prior written approval of INNOVA.</small>			
WEIGHT:	TITLE:		
8 Lb	Ajustable T-bar leg for pole hoist		
4 Kg			
COLOR:	MATERIAL:	SHEET(S):	PROJECT:
Safety Yellow	Aluminum	1 / 4	IN-2127



PAT. NO.:		©18/10/2007 ©	
PRODUITS DE SERVICE PUBLICS INNOVA INC. INNOVA PUBLIC UTILITY PRODUCTS INC.			
<small>© 9105-0732 QUEBEC INC. and under exclusive license to INNOVA PUBLIC UTILITY PRODUCTS INC., (hereafter « INNOVA »). All rights reserved. Protected under the Copyright Act of Canada and international treaties and agreements regarding copyrights. Violators are subject to prosecution and other legal recourses for infringement. Any reproduction, adaptation or other use or disclosure whatsoever, in totality or in part, and in any form or by any means whatsoever, strictly forbidden and requires the prior written approval of INNOVA. All data is the exclusive property of 9105-0732 QUEBEC INC. and under exclusive license to INNOVA and cannot be used nor disclosed in any way either without the prior written approval of INNOVA.</small>			
WEIGHT:	TITLE:		
8 Lb	Ajustable T-bar leg for pole hoist		
4 Kg			
COLOR:	MATERIAL:	SHEET(S):	PROJECT:
Safety Yellow	Aluminum	2 / 4	IN-2127

Product number: IN-2127

SPECIFICATIONS

This equipment is considered as part of a personal fall arrest system (PFAS) with a maximum working capacity of 164 Kg (360 lb).

It is only to be used in conjunction with a personal fall arrest system that limits the maximum arrest force (MAF).

Maximum Working Capacity (Mass): 164 kg (360 lb).
Maximum design capacity : 16014 N (3600 lbf).

STANDARDS

Meets the following standards:
OSHA Personal fall arrest system: 1910.66 App C
ANSI Safety requirements for personal fall arrest system, Subsystems and components Z359.1 - 2007
CAN/CSA Fall arresters, vertical lifelines, and rails Z259.2.1-98
CE EN 795:2012 Type A

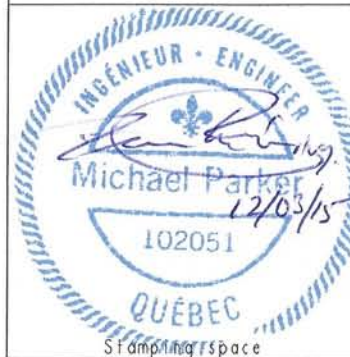
MATERIAL AND CONSTRUCTION

Extension and guide tubes : Aluminum 6061-T6
Hardware : Zinc plated steel
Guide tube sliders : Black acetal
Finish : Yellow security powder paint with metal protection base.
Welding certification: CSA W47,2M

RESTRICTIONS

This product is to be used only with products approved by Innova public utility products INC. such as:
Pole Hoist : IN-2337 or IN-2338

This product must only be used in a vertical position.



PAT. NO.:		018/10/2007	0
PRODUITS DE SERVICE PUBLICS INNOVA INC. INNOVA PUBLIC UTILITY PRODUCTS INC.			
© 9105-0732 QUEBEC INC. and under exclusive license to INNOVA PUBLIC UTILITY PRODUCTS INC., thereafter to INNOVA INC. All rights reserved. Protected under the Copyright Act of Canada and international treaties and agreements regarding copyright. Violators are subject to prosecution and other legal recourse for infringement. Any reproduction, adaptation or other use or disclosure whatsoever, in total or in part, and in any form or by any means whatsoever, is strictly forbidden and requires the prior written approval of INNOVA. All data is the exclusive property of 9105-0732 QUEBEC INC. and under exclusive license to INNOVA and cannot be used, reproduced or disclosed in any way either without the prior written approval of INNOVA.			
WEIGHT:	TITLE:		
8 Lb	Adjustable T-bar leg for pole hoist		
4 Kg			
COLOR:	MATERIAL:	SHEET(S):	PROJECT:
Safety Yellow	Aluminum	3 / 4	IN-2337

8

7

6

5

4

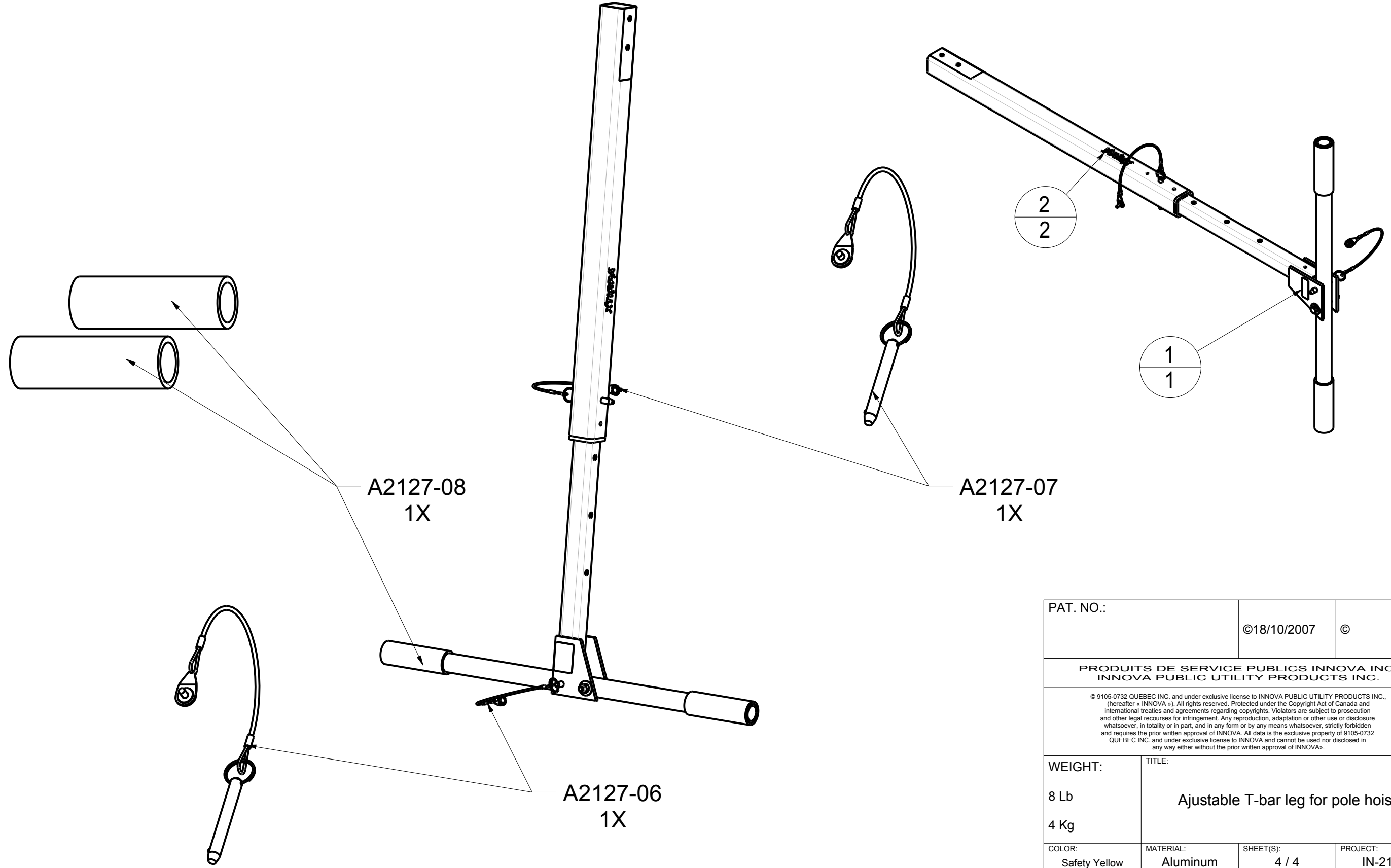
3

2

1

Product number: IN-2127

2	2	S2001-003	04	XTIRPA Label
1	1	S2337-003		Security Label CE Type A
IDX	QTE	COMPONENT	REV	DESCRIPTION



A2127-08
1X

A2127-07
1X

A2127-06
1X

PAT. NO.:		©18/10/2007	©
PRODUITS DE SERVICE PUBLICS INNOVA INC. INNOVA PUBLIC UTILITY PRODUCTS INC.			
<small>© 9105-0732 QUEBEC INC. and under exclusive license to INNOVA PUBLIC UTILITY PRODUCTS INC., (hereafter « INNOVA »). All rights reserved. Protected under the Copyright Act of Canada and international treaties and agreements regarding copyrights. Violators are subject to prosecution and other legal recourses for infringement. Any reproduction, adaptation or other use or disclosure whatsoever, in totality or in part, and in any form or by any means whatsoever, strictly forbidden and requires the prior written approval of INNOVA. All data is the exclusive property of 9105-0732 QUEBEC INC. and under exclusive license to INNOVA and cannot be used nor disclosed in any way either without the prior written approval of INNOVA.</small>			
WEIGHT:	TITLE:		
8 Lb	Ajustable T-bar leg for pole hoist		
4 Kg			
COLOR:	MATERIAL:	SHEET(S):	PROJECT:
Safety Yellow	Aluminum	4 / 4	IN-2127

H
G
F
E
D
C
B
A

H
G
F
E
D
C
B
A

8

7

6

5

4

3

2

1