

PAT. NO.:		©15/07/2009	©
PRODUITS DE SERVICE PUBLICS INNOVA INC. INNOVA PUBLIC UTILITY PRODUCTS INC.			
<small>© 9105-0732 QUEBEC INC. and under exclusive license to INNOVA PUBLIC UTILITY PRODUCTS INC., (hereafter « INNOVA »). All rights reserved. Protected under the Copyright Act of Canada and international treaties and agreements regarding copyrights. Violators are subject to prosecution and other legal recourses for infringement. Any reproduction, adaptation or other use or disclosure whatsoever, in totality or in part, and in any form or by any means whatsoever, strictly forbidden and requires the prior written approval of INNOVA. All data is the exclusive property of 9105-0732 QUEBEC INC. and under exclusive license to INNOVA and cannot be used nor disclosed in any way either without the prior written approval of INNOVA.</small>			
WEIGHT:	TITLE:		
45 Lb	76mm (3") Hitch Mount		
20 Kg	With 1524mm (60") Stabilizer		
COLOR:	MATERIAL:	SHEET(S):	PROJECT:
Safety Yellow	Aluminum	1 / 4	IN-2204

8

7

6

5

4

3

2

1

H

G

F

E

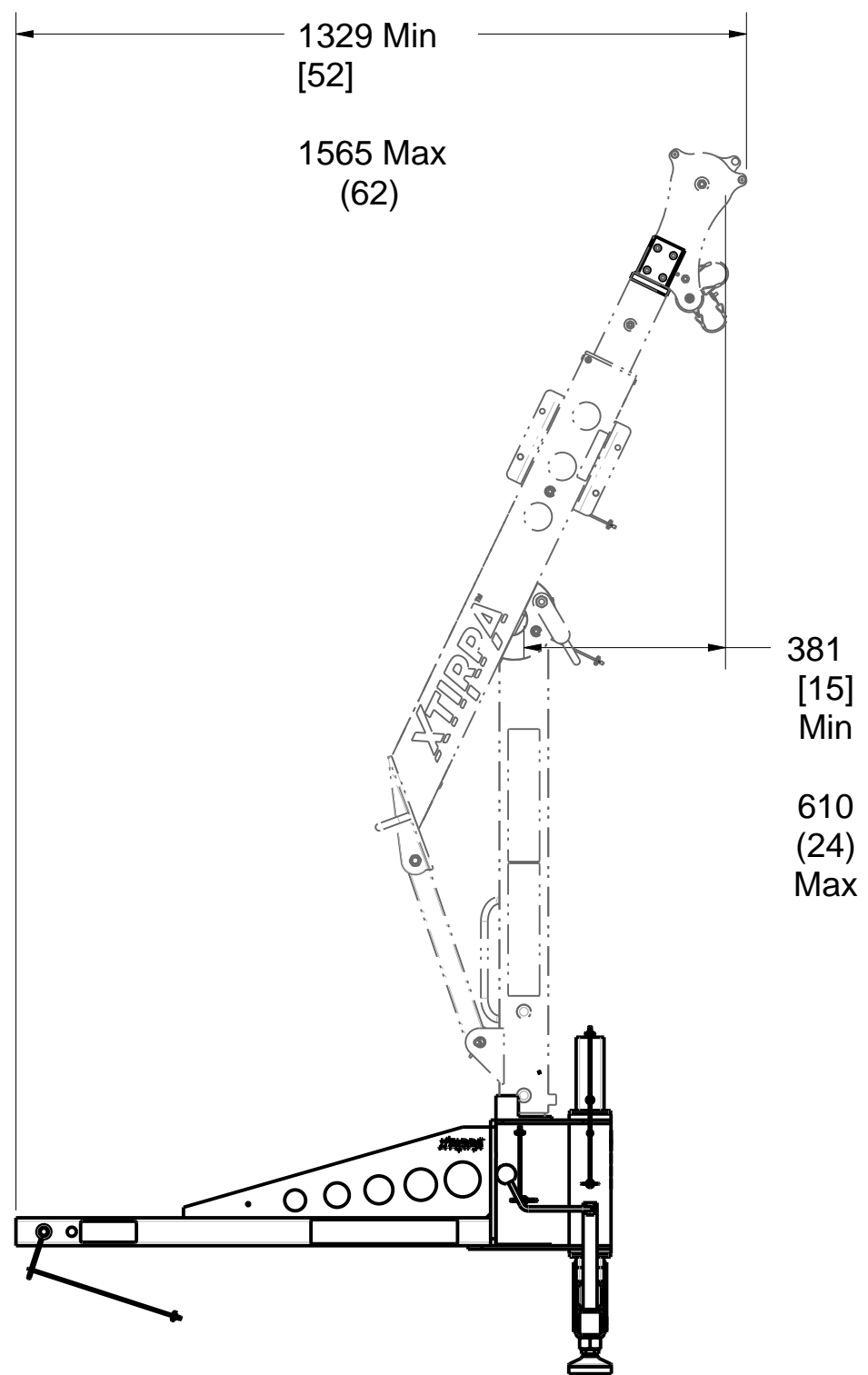
D

C

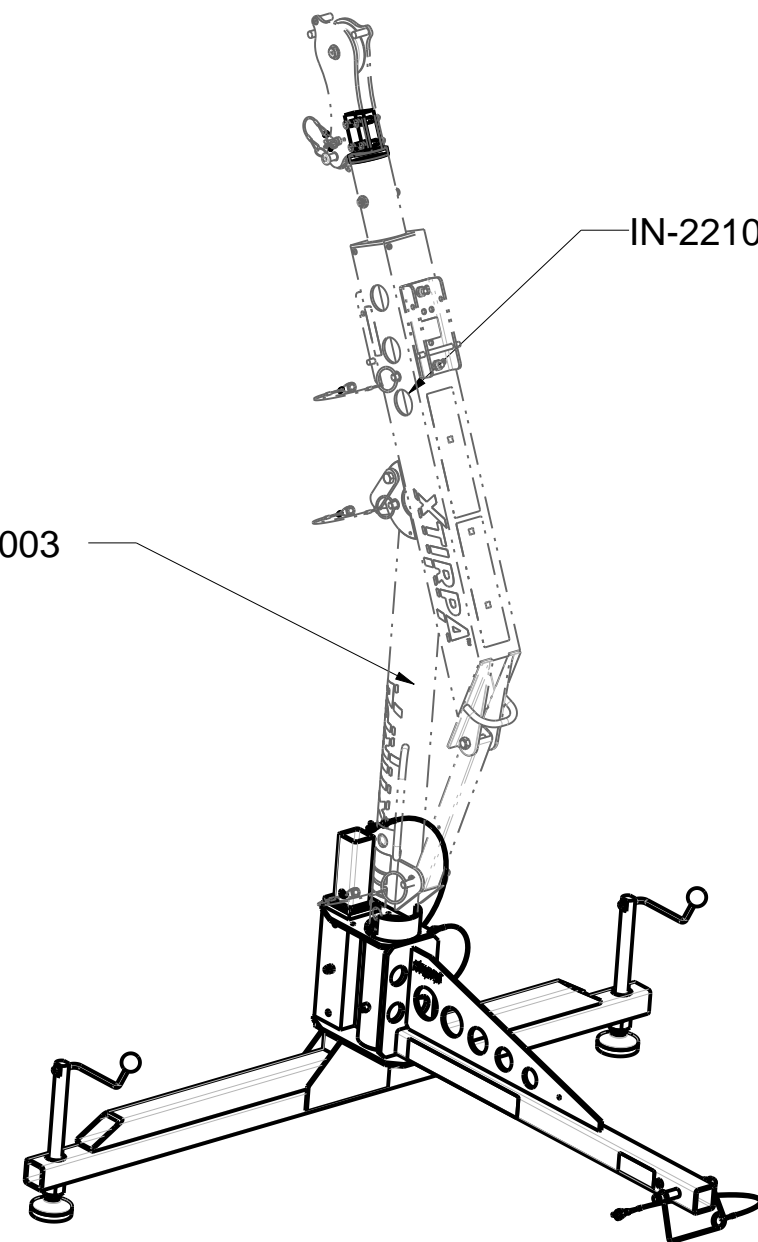
B

A

Product number: IN-2204



IN-2003



PAT. NO.:		©15/07/2009	©
PRODUITS DE SERVICE PUBLICS INNOVA INC. INNOVA PUBLIC UTILITY PRODUCTS INC.			
<small>© 9105-0732 QUEBEC INC. and under exclusive license to INNOVA PUBLIC UTILITY PRODUCTS INC., (hereafter « INNOVA »). All rights reserved. Protected under the Copyright Act of Canada and international treaties and agreements regarding copyrights. Violators are subject to prosecution and other legal recourses for infringement. Any reproduction, adaptation or other use or disclosure whatsoever, in totality or in part, and in any form or by any means whatsoever, strictly forbidden and requires the prior written approval of INNOVA. All data is the exclusive property of 9105-0732 QUEBEC INC. and under exclusive license to INNOVA and cannot be used nor disclosed in any way either without the prior written approval of INNOVA.</small>			
WEIGHT:	TITLE:		
45 Lb	76mm (3") Hitch Mount		
20 Kg	With 1524mm (60") Stabilizer		
COLOR:	MATERIAL:	SHEET(S):	PROJECT:
Safety Yellow	Aluminum	2 / 4	IN-2204

8

7

6

5

4

3

2

1

H

G

F

E

D

C

B

A

Product number: IN-2204

SPECIFICATIONS

H This equipment is considered as part of a personal fall arrest system (PFAS) with a maximum working capacity of 164 Kg (360 lb).

It is only to be used in conjunction with a personal fall arrest system that limits the maximum arrest force (MAF).

G Working load (mass) and moment: With mast IN-2003 and Davit Arm IN-2002 or IN-2210: 164kg (360 lb), 976 N-m (8,640 lbf-in).

F Max Capacity without deformation: With mast IN-2003 and Davit Arm IN-2002 or IN-2210: 16,014 N (3,600 lbf), 9,762 N-m (86,400 lbf-in).

Note: Hitch vehicle minimum weight or structure capacity :2,727kg (6,000 lb).

STANDARDS

E Meets the following standards:
 OSHA Personal fall arrest system - 1910.66 App C
 ANSI Safety requirements for personal fall arrest system, subsystems and components Z359.1 (R1999) / 2007
 CAN/CSA Fall arresters, vertical lifelines, and rails Z259.2.1-98
 CE EN 795: 2012 Type A,B and E.

MATERIAL AND CONSTRUCTION

D Extensions and Mast Sleeve : Aluminum 6061-T6
 Extension sliders : Black Delrin
 Positioning levels and Hardware: Zinc Plated Steel, Stainless Steel
 Finish : Yellow security powder paint with metal protection base.
 Welding certification: CSA W47,2M

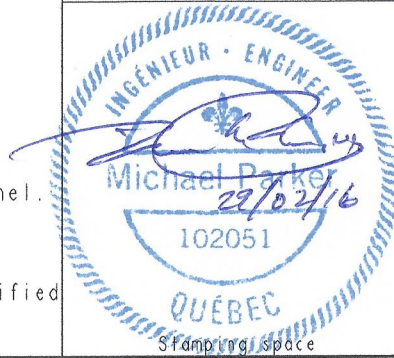
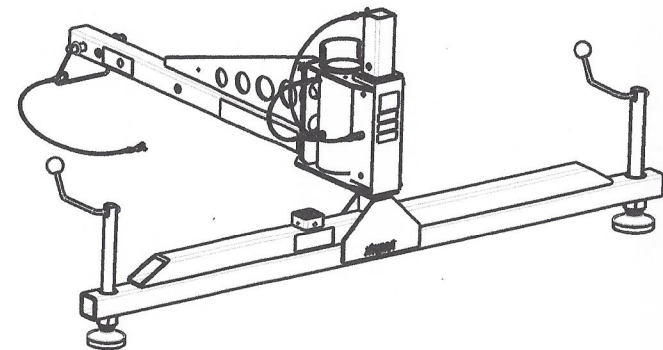
RESTRICTIONS

C This product is to be used only with products approved by Innova Public Utility Products inc.

IMPORTANT :

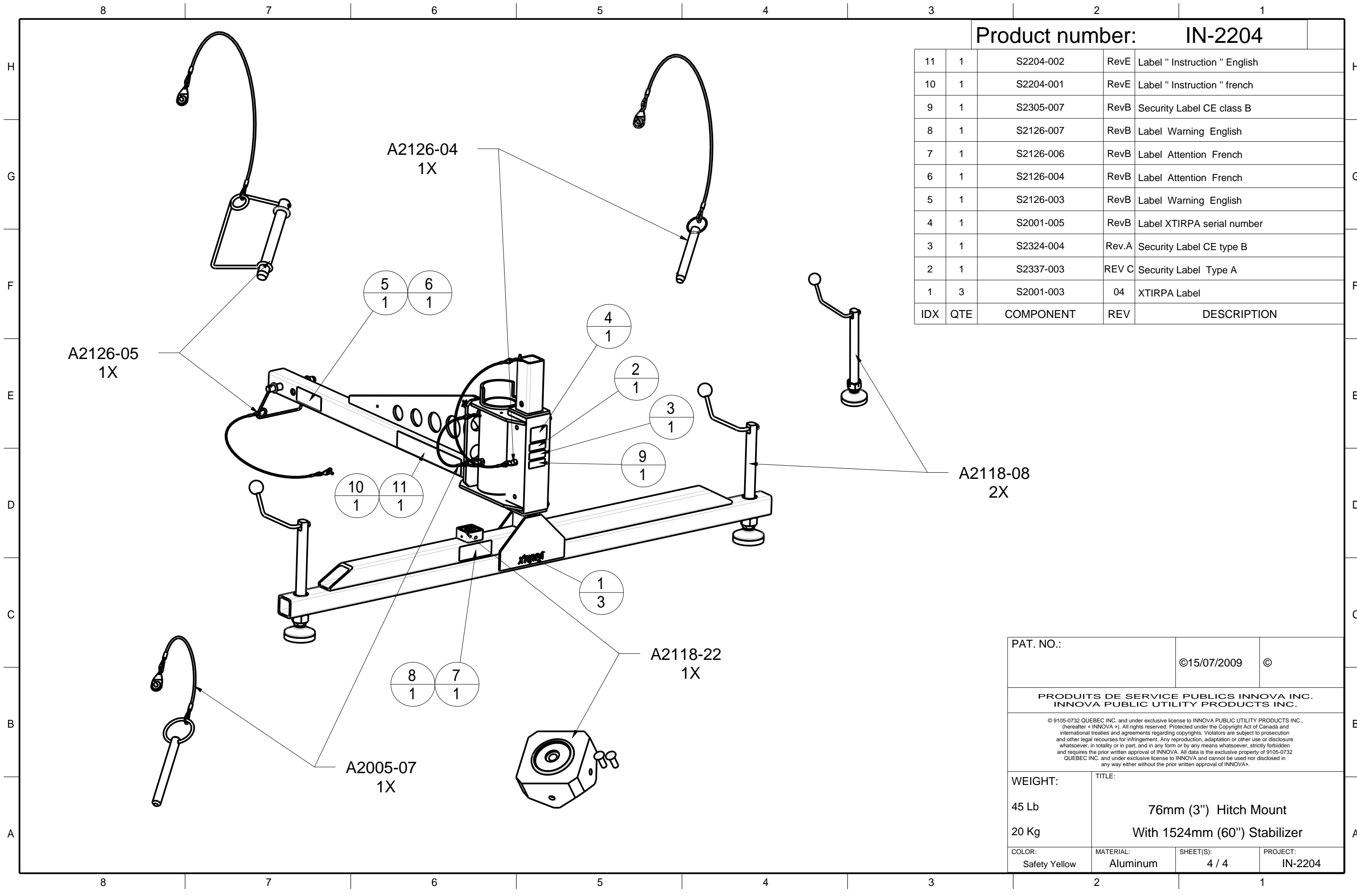
B **The positioning pins must always be in place when manoeuvring personnel. Otherwise, serious injuries may occur. Periodic inspections of hardware must be done. In the occurrence of a fall or the safety of the equipment is in doubt, equipment must be immediately removed from service and inspected by qualified personnel before reuse.

A ** This equipment must always be operated in a level position.



PAT. NO. :		©15/07/2009 ©	
PRODUITS DE SERVICE PUBLICS INNOVA INC. INNOVA PUBLIC UTILITY PRODUCTS INC.			
<small>© 9105-0732 QUEBEC INC. and under exclusive license to INNOVA PUBLIC UTILITY PRODUCTS INC., (Inventeur © INNOVA s). All rights reserved. Protected under the Copyright Act of Canada and international treaties and agreements regarding copyrights. Violators are subject to prosecution and other legal recourse for infringement. Any reproduction, adaptation or other use or disclosure whatsoever, in totality or in part, and in any form or by any means whatsoever, is strictly forbidden and requires the prior written approval of INNOVA. All data is the exclusive property of 9105-0732 QUEBEC INC. and under exclusive license to INNOVA and cannot be used nor disclosed in any way either without the prior written approval of INNOVA.</small>			
WEIGHT:		TITLE:	
45 Lb		76mm (3") Hitch Mount	
20 Kg		With 1524mm (60") Stabilizer	
COLOR:	MATERIAL:	SHEET(S):	PROJECT:
Safety Yellow	Aluminum	3 / 4	IN-2204

Stamping space



Product number: **IN-2204**

IDX	QTE	COMPONENT	REV	DESCRIPTION
11	1	S2204-002	RevE	Label " Instruction " English
10	1	S2204-001	RevE	Label " Instruction " french
9	1	S2305-007	RevB	Security Label CE class B
8	1	S2126-007	RevB	Label Warning English
7	1	S2126-006	RevB	Label Attention French
6	1	S2126-004	RevB	Label Attention French
5	1	S2126-003	RevB	Label Warning English
4	1	S2001-005	RevB	Label XTIRPA serial number
3	1	S2324-004	Rev.A	Security Label CE type B
2	1	S2337-003	REV C	Security Label Type A
1	3	S2001-003	04	XTIRPA Label

PAT. NO.:		©15/07/2009	©
PRODUITS DE SERVICE PUBLICS INNOVA INC. INNOVA PUBLIC UTILITY PRODUCTS INC.			
© 9105-0732 QUEBEC INC. and under exclusive license to INNOVA PUBLIC UTILITY PRODUCTS INC., (hereafter « INNOVA »). All rights reserved. Protected under the Copyright Act of Canada and international treaties and agreements regarding copyrights. Violators are subject to prosecution and other legal recourses for infringement. Any reproduction, adaptation or other use or disclosure whatsoever, in totality or in part, and in any form or by any means whatsoever, strictly forbidden and requires the prior written approval of INNOVA. All data is the exclusive property of 9105-0732 QUEBEC INC. and under exclusive license to INNOVA and cannot be used nor disclosed in any way either without the prior written approval of INNOVA.			
WEIGHT:	TITLE:		
45 Lb	76mm (3") Hitch Mount		
20 Kg	With 1524mm (60") Stabilizer		
COLOR:	MATERIAL:	SHEET(S):	PROJECT:
Safety Yellow	Aluminum	4 / 4	IN-2204