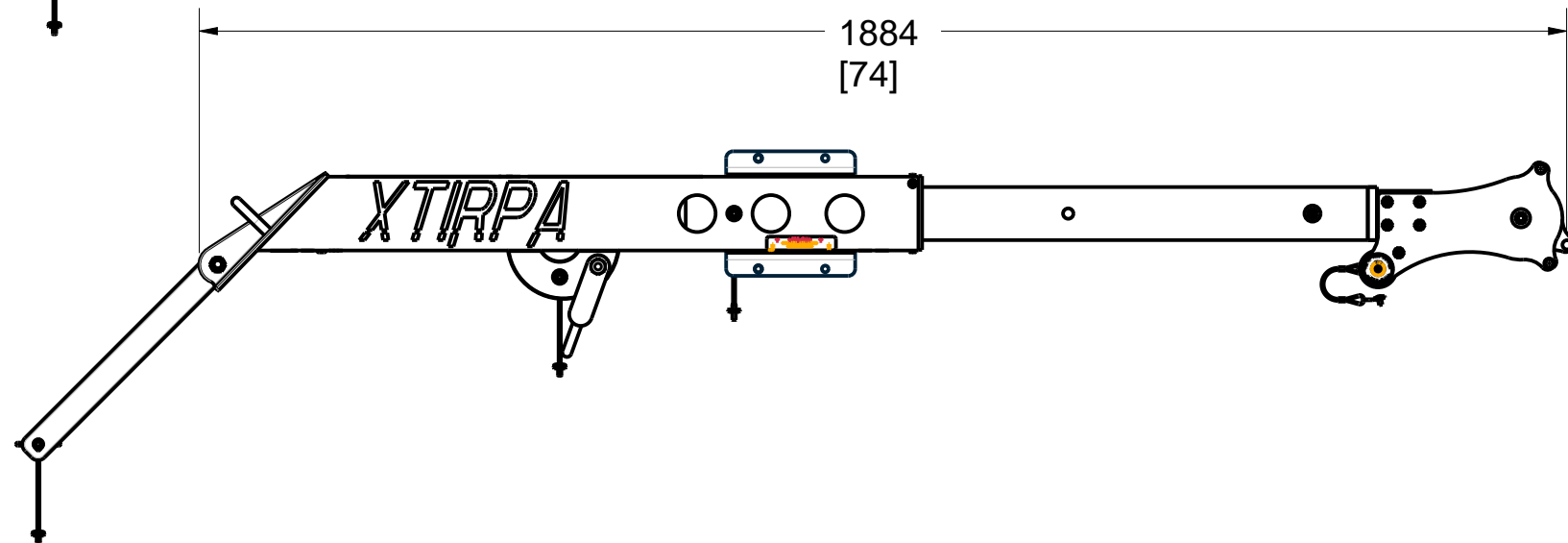
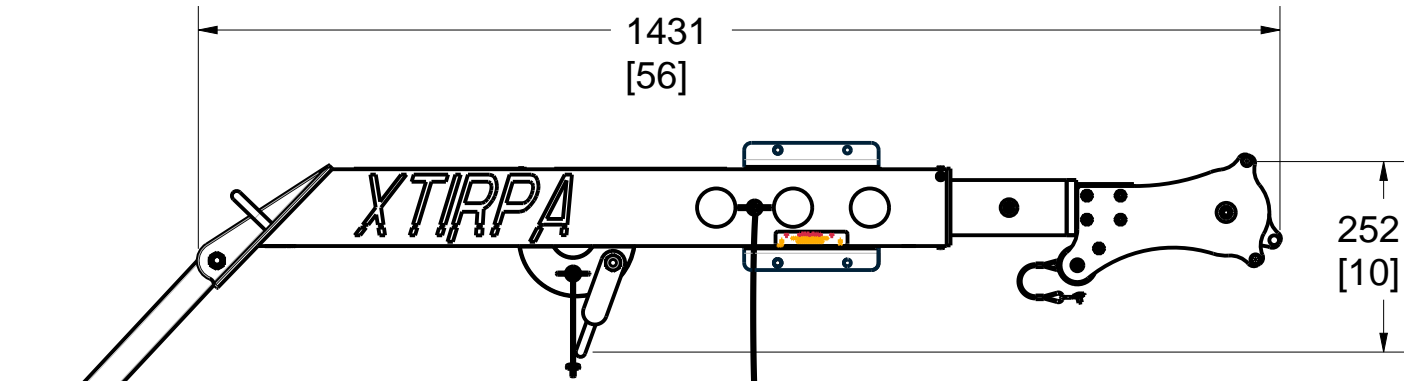
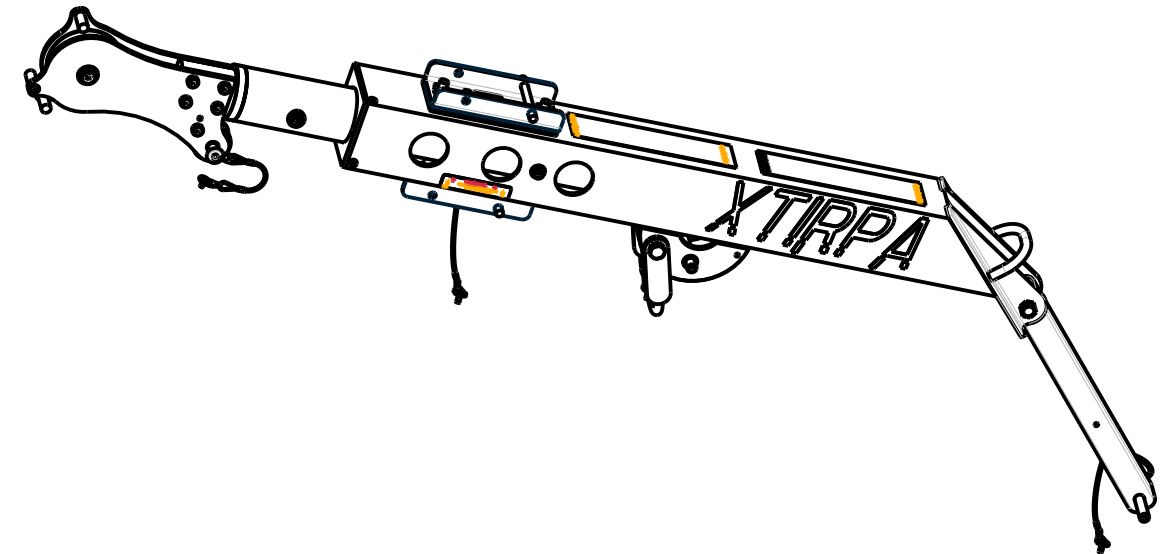
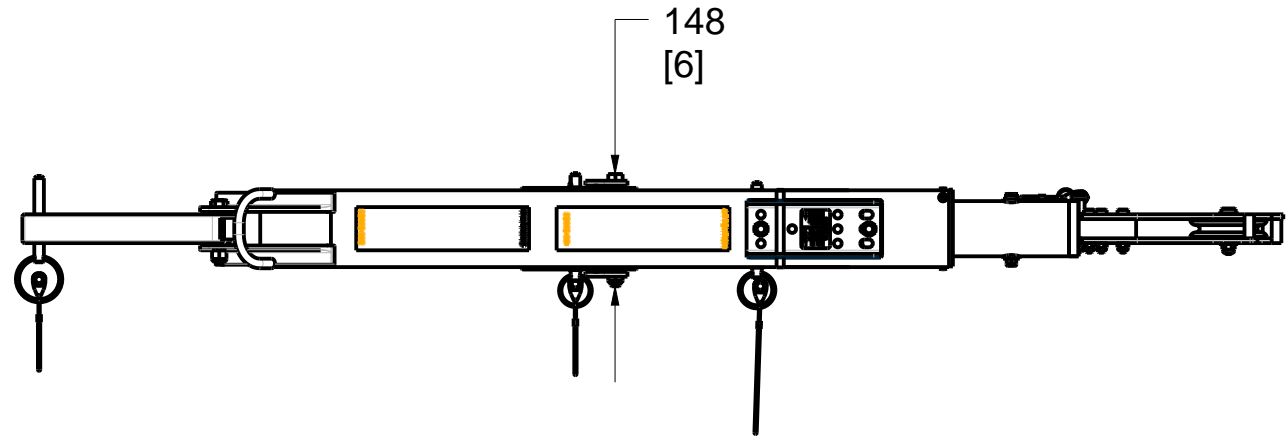
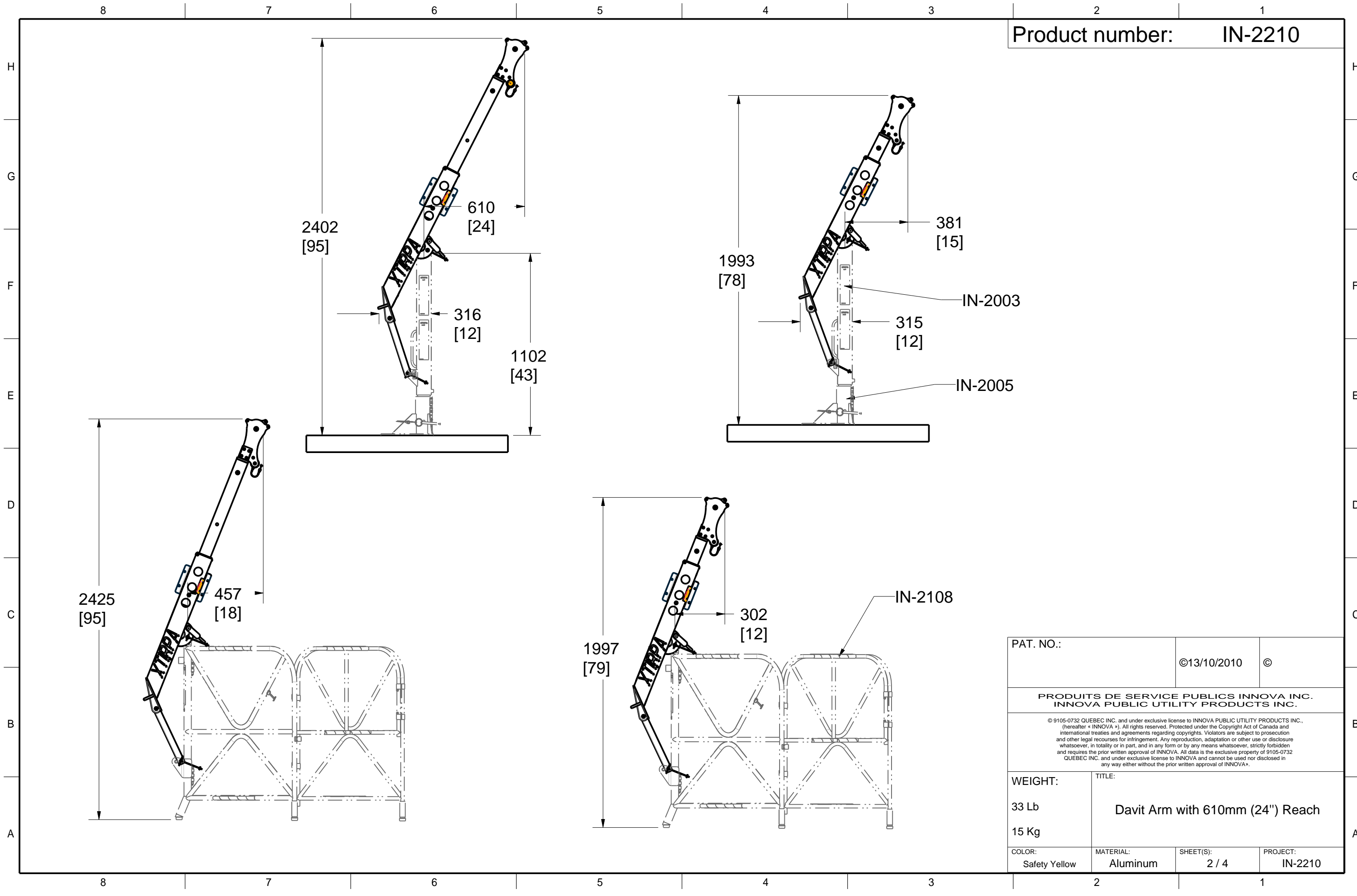


Product number: IN-2210



PAT. NO.:		©13/10/2010	©
<b>PRODUITS DE SERVICE PUBLICS INNOVA INC.</b> <b>INNOVA PUBLIC UTILITY PRODUCTS INC.</b>			
<small>© 9105-0732 QUEBEC INC. and under exclusive license to INNOVA PUBLIC UTILITY PRODUCTS INC., (hereafter « INNOVA »). All rights reserved. Protected under the Copyright Act of Canada and international treaties and agreements regarding copyrights. Violators are subject to prosecution and other legal recourses for infringement. Any reproduction, adaptation or other use or disclosure whatsoever, in totality or in part, and in any form or by any means whatsoever, strictly forbidden and requires the prior written approval of INNOVA. All data is the exclusive property of 9105-0732 QUEBEC INC. and under exclusive license to INNOVA and cannot be used nor disclosed in any way either without the prior written approval of INNOVA».</small>			
WEIGHT:	TITLE:		
33 Lb	Davit Arm with 610mm (24") Reach		
15 Kg			
COLOR:	MATERIAL:	SHEET(S):	PROJECT:
Safety Yellow	Aluminum	1 / 4	IN-2210

Product number: IN-2210



PAT. NO.:		©13/10/2010	©
<b>PRODUITS DE SERVICE PUBLICS INNOVA INC.</b> <b>INNOVA PUBLIC UTILITY PRODUCTS INC.</b>			
<small>© 9105-0732 QUEBEC INC. and under exclusive license to INNOVA PUBLIC UTILITY PRODUCTS INC., (hereafter « INNOVA »). All rights reserved. Protected under the Copyright Act of Canada and international treaties and agreements regarding copyrights. Violators are subject to prosecution and other legal recourses for infringement. Any reproduction, adaptation or other use or disclosure whatsoever, in totality or in part, and in any form or by any means whatsoever, strictly forbidden and requires the prior written approval of INNOVA. All data is the exclusive property of 9105-0732 QUEBEC INC. and under exclusive license to INNOVA and cannot be used nor disclosed in any way either without the prior written approval of INNOVA.</small>			
WEIGHT:	TITLE:		
33 Lb	Davit Arm with 610mm (24") Reach		
15 Kg			
COLOR:	MATERIAL:	SHEET(S):	PROJECT:
Safety Yellow	Aluminum	2 / 4	IN-2210

Product number: IN-2210

**SPECIFICATIONS**

H This equipment is considered as part of a personal fall arrest system (PFAS) with a maximum working capacity of 164 Kg (360 lb).

It is only to be used in conjunction with a personal fall arrest system that limits the maximum arrest force (MAF).

G Working load (mass) : In position 1,2 or 3  
 With barricade IN-2108 and IN-2001: 191Kg ( 420 lb)  
 With mast IN-2003: 164 Kg ( 360 lb )

Max Capacity with lifeline winch in position 1 and 2  
 With barricade IN-2108 and IN-2001: 19,172 N ( 4,310 lbf )  
 With mast IN-2003: 16,298 N ( 3,664 lbf )

F Max Capacity with material handling in position 3  
 With barricade IN-2108 and IN-2001: 9,786 N ( 2,200 lbf )  
 With mast IN-2003: 8,007 N ( 1,800 lbf )  
 Max Capacity of anchor point: 22,241 N ( 5,000 lbf )

**STANDARDS**

Meets the following standards:

E OSHA Personal fall arrest system: 1910.66 App C  
 ANSI Safety requirements for personal fall arrest system, Subsystems and components Z359.1 ( R1999 ) 2007  
 CAN/CSA Fall arresters, vertical lifelines, and rails Z259.2.1-98  
 CE EN 795:2012 Type A , B and E.

**MATERIAL AND CONSTRUCTION**

D Extension and guide tubes: Aluminum 6061-T6  
 Davit-Arm link : Aluminum 6061-T6  
 Anchorage hooks: 304 Stainless Steel  
 Hardware: Zinc plated steel / Stainless Steel  
 Guide tube sliders: UHMW  
 Pulley: Black Acetal  
 Finish: Yellow security powder point with metal protection base.  
 C Welding Certification: CSA W47.2M

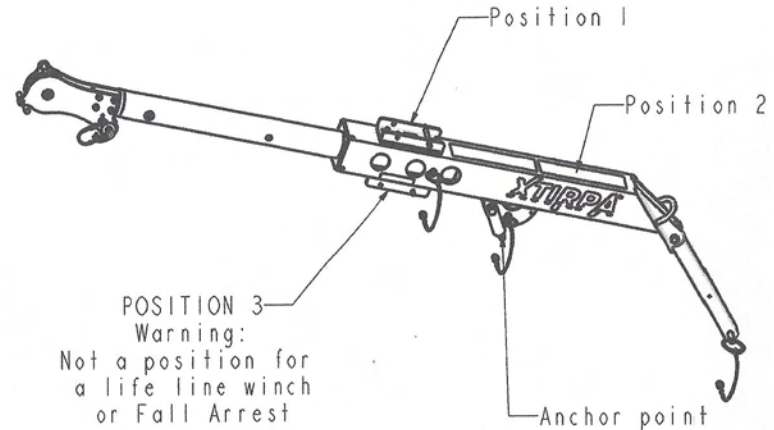
**RESTRICTIONS**

This product is to be used only with products approved by Innova Public Utility Products inc.

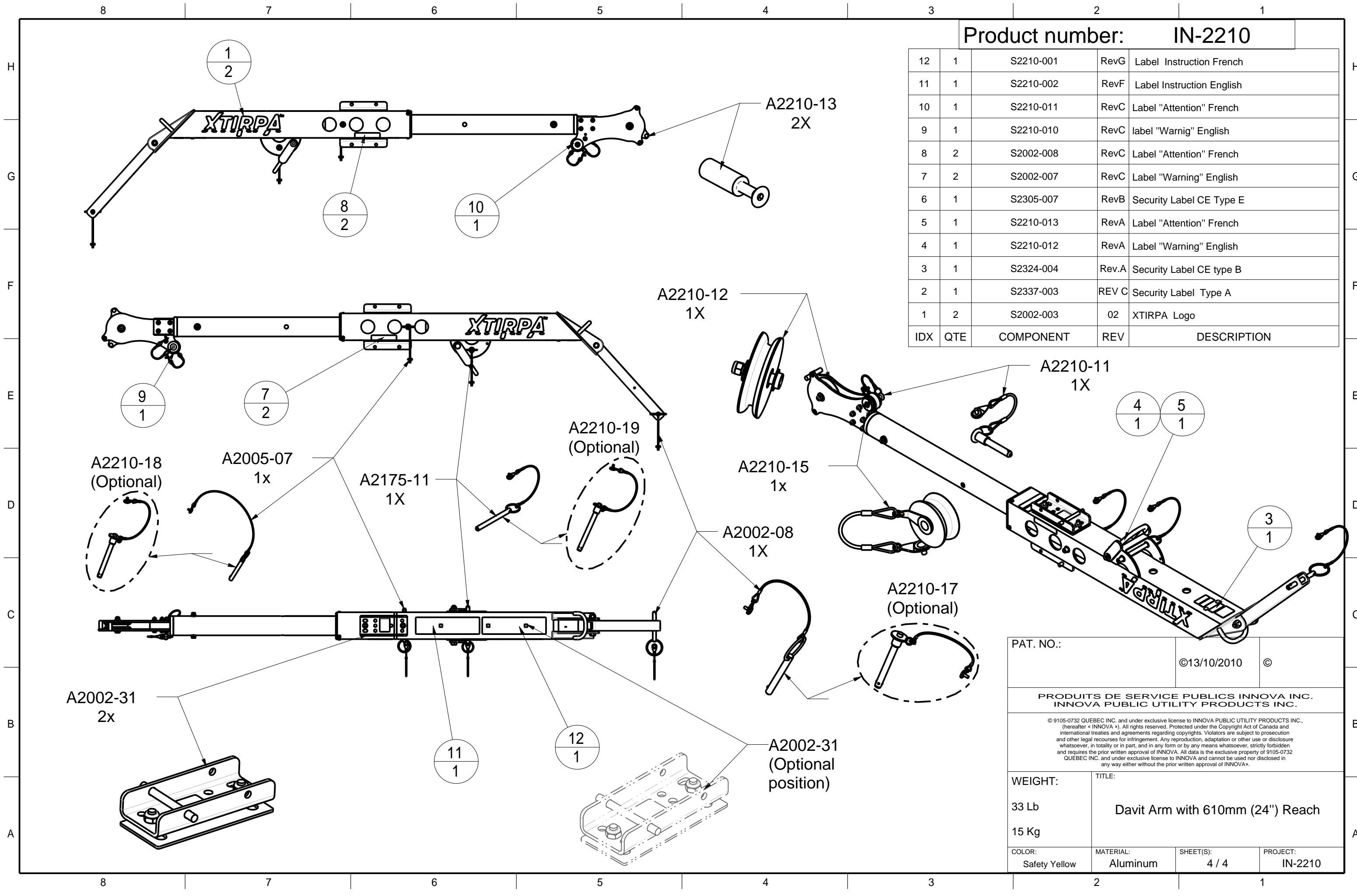
**IMPORTANT :**

A \*\*The positioning pins must always be in place when manoeuvring personnel. Otherwise, serious injuries may occur. Periodic inspections of hardware must be done. In the occurrence of a fall or the safety of the equipment is in doubt, equipment must be immediately removed from service and inspected by qualified personnel before reuse.

\*\* This equipment must always be operated in a level position.



PAT. NO.:		©13/10/2010 ©	
PRODUITS DE SERVICE PUBLICS INNOVA INC. INNOVA PUBLIC UTILITY PRODUCTS INC.			
<small>© 9105-0732 QUEBEC INC. and under exclusive license to INNOVA PUBLIC UTILITY PRODUCTS INC., hereafter s. INNOVA s. All rights reserved. Protected under the Copyright Act of Canada and international treaties and agreements regarding copyrights. Violators are subject to prosecution and other legal recourse for infringement. Any reproduction, adaptation or other use or disclosure whatsoever, in totality or in part, and in any form or by any means whatsoever, strictly forbidden and requires the prior written approval of INNOVA. All data is the exclusive property of 9105-0732 QUEBEC INC. and under exclusive license to INNOVA and cannot be used nor disclosed in any way either without the prior written approval of INNOVA.</small>			
WEIGHT:		TITLE:	
33 Lb		Davit Arm with 610mm (24") Reach	
15 Kg			
COLOR:	MATERIAL:	SHEET(S):	PROJECT:
Safety Yellow	Aluminum	3 / 4	IN-2210



Product number: **IN-2210**

IDX	QTE	COMPONENT	REV	DESCRIPTION
12	1	S2210-001	RevG	Label Instruction French
11	1	S2210-002	RevF	Label Instruction English
10	1	S2210-011	RevC	Label "Attention" French
9	1	S2210-010	RevC	label "Warnig" English
8	2	S2002-008	RevC	Label "Attention" French
7	2	S2002-007	RevC	Label "Warning" English
6	1	S2305-007	RevB	Security Label CE Type E
5	1	S2210-013	RevA	Label "Attention" French
4	1	S2210-012	RevA	Label "Warning" English
3	1	S2324-004	Rev.A	Security Label CE type B
2	1	S2337-003	REV C	Security Label Type A
1	2	S2002-003	02	XTIRPA Logo

PAT. NO.:		©13/10/2010 ©	
<b>PRODUITS DE SERVICE PUBLICS INNOVA INC.</b> <b>INNOVA PUBLIC UTILITY PRODUCTS INC.</b>			
<small>© 9105-0732 QUEBEC INC. and under exclusive license to INNOVA PUBLIC UTILITY PRODUCTS INC. (hereafter « INNOVA »). All rights reserved. Protected under the Copyright Act of Canada and international treaties and agreements regarding copyrights. Violators are subject to prosecution and other legal recourses for infringement. Any reproduction, adaptation or other use or disclosure whatsoever, in totality or in part, and in any form or by any means whatsoever, strictly forbidden and requires the prior written approval of INNOVA. All data is the exclusive property of 9105-0732 QUEBEC INC. and under exclusive license to INNOVA and cannot be used nor disclosed in any way either without the prior written approval of INNOVA.</small>			
WEIGHT:	TITLE:		
33 Lb	Davit Arm with 610mm (24") Reach		
15 Kg			
COLOR:	MATERIAL:	SHEET(S):	PROJECT:
Safety Yellow	Aluminum	4 / 4	IN-2210