

Clevis threaded Rod
(5" adjustment)

1435 Max
[56.5]

927 Min
[36.5]

2775 Max
[109.2]

2260 Min
[89.0]

864
[34.0]

1264
[49.8]

914
[36.0]

992
[39.1]

4x adjustable leg
(6" adjustment)

51
[2.0]
10x

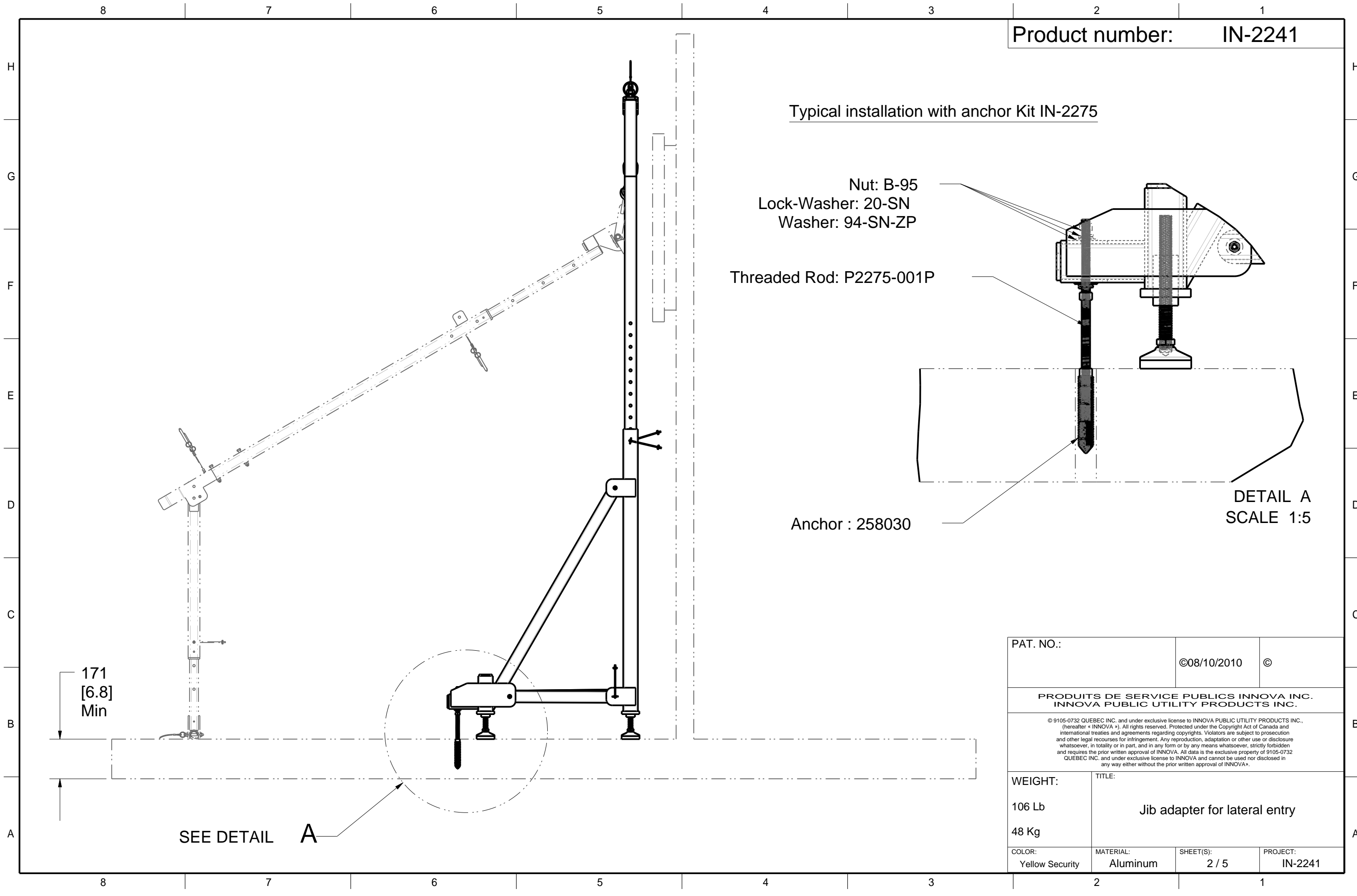
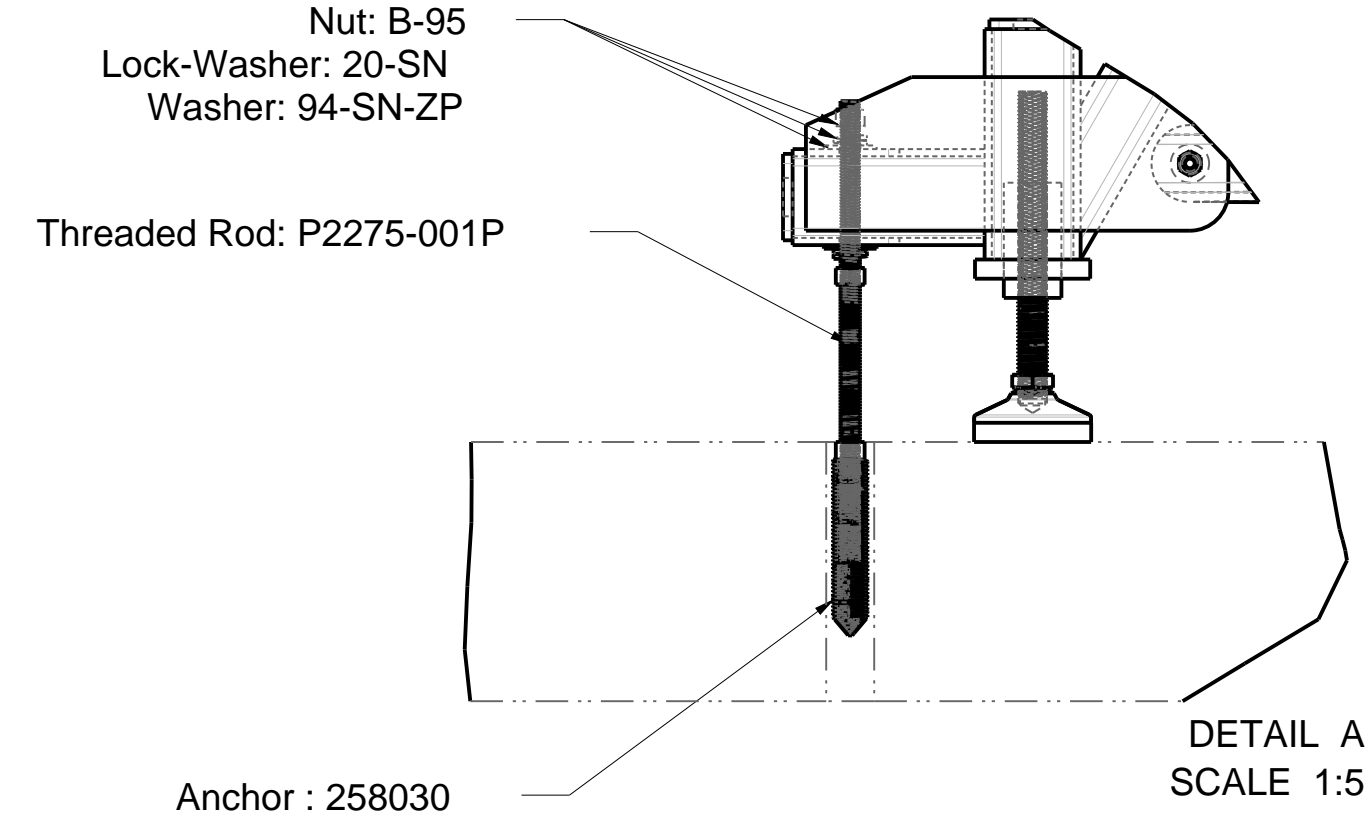


Anchor Kit
IN-2275
Available

PAT. NO.:		©08/10/2010	©
<p>PRODUITS DE SERVICE PUBLICS INNOVA INC. INNOVA PUBLIC UTILITY PRODUCTS INC.</p> <p><small>© 9105-0732 QUEBEC INC. and under exclusive license to INNOVA PUBLIC UTILITY PRODUCTS INC., (hereafter « INNOVA »). All rights reserved. Protected under the Copyright Act of Canada and international treaties and agreements regarding copyrights. Violators are subject to prosecution and other legal recourses for infringement. Any reproduction, adaptation or other use or disclosure whatsoever, in totality or in part, and in any form or by any means whatsoever, strictly forbidden and requires the prior written approval of INNOVA. All data is the exclusive property of 9105-0732 QUEBEC INC. and under exclusive license to INNOVA and cannot be used nor disclosed in any way either without the prior written approval of INNOVA.</small></p>			
WEIGHT:	TITLE:		
106 Lb	Jib adapter for lateral entry		
48 Kg			
COLOR:	MATERIAL:	SHEET(S):	PROJECT:
Yellow Security	Aluminum	1 / 5	IN-2241

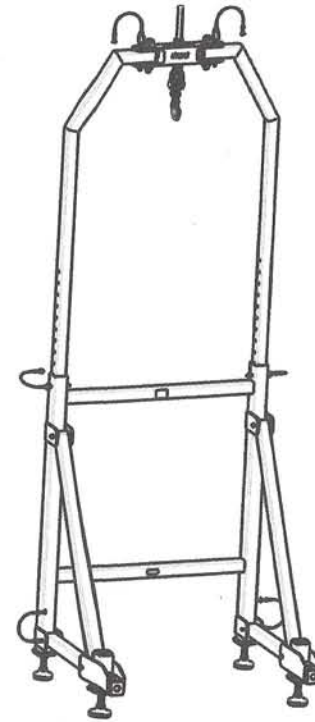
Product number: IN-2241

Typical installation with anchor Kit IN-2275



PAT. NO.:		©08/10/2010	©
PRODUITS DE SERVICE PUBLICS INNOVA INC. INNOVA PUBLIC UTILITY PRODUCTS INC.			
<small>© 9105-0732 QUEBEC INC. and under exclusive license to INNOVA PUBLIC UTILITY PRODUCTS INC., (hereafter « INNOVA »). All rights reserved. Protected under the Copyright Act of Canada and international treaties and agreements regarding copyrights. Violators are subject to prosecution and other legal recourses for infringement. Any reproduction, adaptation or other use or disclosure whatsoever, in totality or in part, and in any form or by any means whatsoever, strictly forbidden and requires the prior written approval of INNOVA. All data is the exclusive property of 9105-0732 QUEBEC INC. and under exclusive license to INNOVA and cannot be used nor disclosed in any way either without the prior written approval of INNOVA.</small>			
WEIGHT:	TITLE:		
106 Lb	Jib adapter for lateral entry		
48 Kg			
COLOR:	MATERIAL:	SHEET(S):	PROJECT:
Yellow Security	Aluminum	2 / 5	IN-2241

Product number: IN-2241



PAT. NO.:		008/10/2010	0
PRODUITS DE SERVICE PUBLICS INNOVA INC. INNOVA PUBLIC UTILITY PRODUCTS INC.			
<small>© 0105-0732 QUEBEC INC. and under exclusive license to INNOVA PUBLIC UTILITY PRODUCTS INC. (hereafter « INNOVA »). All rights reserved. Protected under the Copyright Act of Canada and international treaties and agreements regarding copyrights. Violators are subject to prosecution and other legal recourse for infringement. Any reproduction, modification or other use or disclosure whatsoever, in total or in part, and in any form or by any means whatsoever, strictly forbidden and requires the prior written approval of INNOVA. All data is the exclusive property of 0105-0732 QUEBEC INC. and under exclusive license to INNOVA and cannot be sold or disclosed in any way either without the prior written approval of INNOVA.</small>			
WEIGHT:		TITLE:	
106 Lb		Jib adapter for lateral entry	
48 Kg			
COLOR:	MATERIAL:	SHEETS:	PROJECT:
Yellow Security	Aluminum	3 / 5	IN-2241



SPECIFICATIONS

H This equipment is considered as part of a personal fall arrest system (PFAS) with a maximum working capacity of 164 Kg (360 lb).

It is only to be used in conjunction with a personal fall arrest system that limits the maximum arrest force (MAF).

G Working load limit at ± 10 deg. with vertical : 360 lbf.
Maximum Working Moment : 678 N-m (6,001 lbf-in)
Maximum Moment : 6,780 N-m (60,010 lbf-in)

STANDARDS

F Meets the following standards:
OSHA Personal fall arrest system - 1910.66 App C
ANSI Safety requirements for personal fall arrest system, subsystems and components Z359.1 (R1999) / 2007
CAN/CSA Fall arresters, vertical lifelines, and rails Z259.2.1-98
CE EN 795:2012 Type A

MATERIAL AND CONSTRUCTION

E Structure : Aluminum 6061-T6
Positioning levels : Stainless Steel with rubber pads
Threaded Rod : Zinc Plated Steel 1/2-13 UNC
Pins : Stainless steel
Hardware : Stainless Steel and Zinc plated Steel
D Shackle : 3/4-18 galvanized
Hook : Steel Carbon 1.5T

RESTRICTIONS

C This product is to be used only with products approved by Innova Public Utility Products Inc.

IMPORTANT :

B When in use, the load must be applied on all adjustable leveling pads
The max. offset vertical angle is 10 deg.
Periodic inspections of hardware must be done.
In the occurrence of a fall or the safety of the equipment is in doubt, equipment must be immediately removed from service and inspected by qualified personnel before reuse.

A ** This equipment must always be operated in a level position.

Stamping space

8

7

6

5

4

3

2

1

Product number: IN-2241

2	2	S2001-003	04	XTIRPA Label
1	1	S2337-003		Security Label CE Type A
IDX	QTE	COMPONENT	REV	DESCRIPTION

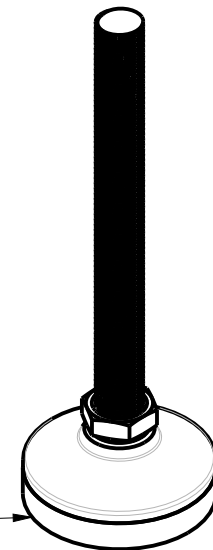
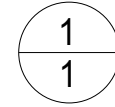
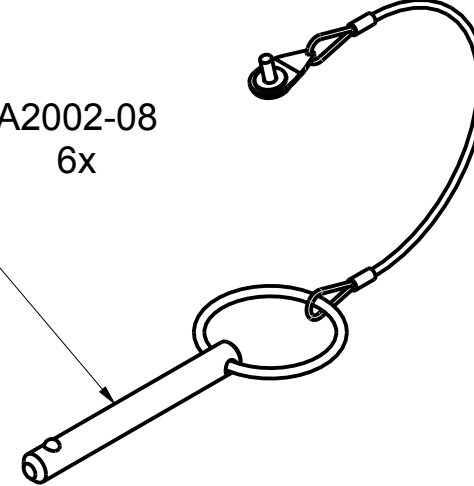
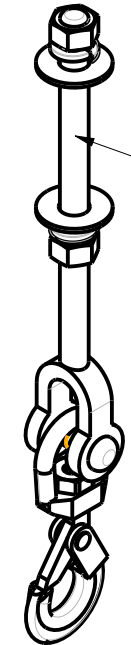
2
2

A2241-15
1x

A2002-08
6x

1
1

A2241-10
4x



PAT. NO.:		©08/10/2010	©
PRODUITS DE SERVICE PUBLICS INNOVA INC. INNOVA PUBLIC UTILITY PRODUCTS INC.			
<small>© 9105-0732 QUEBEC INC. and under exclusive license to INNOVA PUBLIC UTILITY PRODUCTS INC., (hereafter « INNOVA »). All rights reserved. Protected under the Copyright Act of Canada and international treaties and agreements regarding copyrights. Violators are subject to prosecution and other legal recourses for infringement. Any reproduction, adaptation or other use or disclosure whatsoever, in totality or in part, and in any form or by any means whatsoever, strictly forbidden and requires the prior written approval of INNOVA. All data is the exclusive property of 9105-0732 QUEBEC INC. and under exclusive license to INNOVA and cannot be used nor disclosed in any way either without the prior written approval of INNOVA.</small>			
WEIGHT:	TITLE:		
106 Lb	Jib adapter for lateral entry		
48 Kg			
COLOR:	MATERIAL:	SHEET(S):	PROJECT:
Yellow Security	Aluminum	4 / 5	IN-2241

H
G
F
E
D
C
B
A

H
G
F
E
D
C
B
A

8

7

6

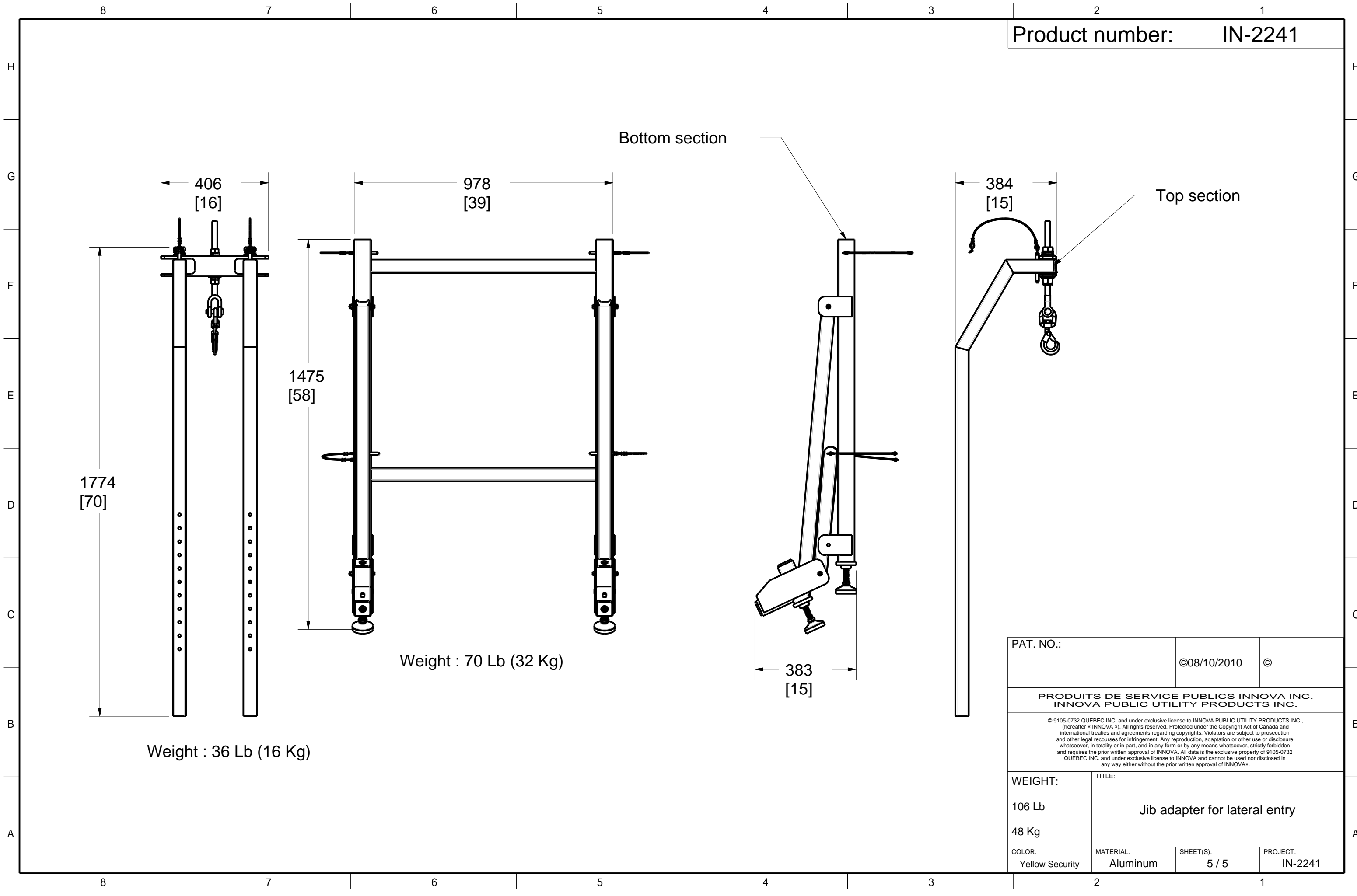
5

4

3

2

1



PAT. NO.:		©08/10/2010	©
PRODUITS DE SERVICE PUBLICS INNOVA INC. INNOVA PUBLIC UTILITY PRODUCTS INC.			
© 9105-0732 QUEBEC INC. and under exclusive license to INNOVA PUBLIC UTILITY PRODUCTS INC., (hereafter « INNOVA »). All rights reserved. Protected under the Copyright Act of Canada and international treaties and agreements regarding copyrights. Violators are subject to prosecution and other legal recourses for infringement. Any reproduction, adaptation or other use or disclosure whatsoever, in totality or in part, and in any form or by any means whatsoever, strictly forbidden and requires the prior written approval of INNOVA. All data is the exclusive property of 9105-0732 QUEBEC INC. and under exclusive license to INNOVA and cannot be used nor disclosed in any way either without the prior written approval of INNOVA.			
WEIGHT:	TITLE:		
106 Lb	Jib adapter for lateral entry		
48 Kg			
COLOR:	MATERIAL:	SHEET(S):	PROJECT:
Yellow Security	Aluminum	5 / 5	IN-2241