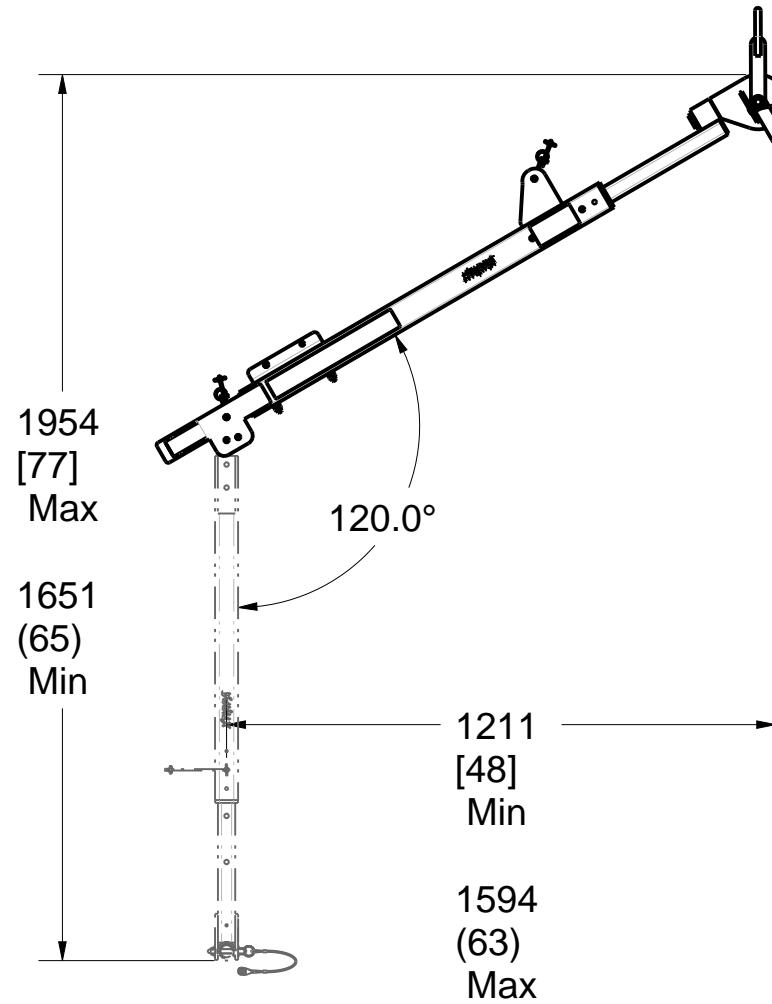
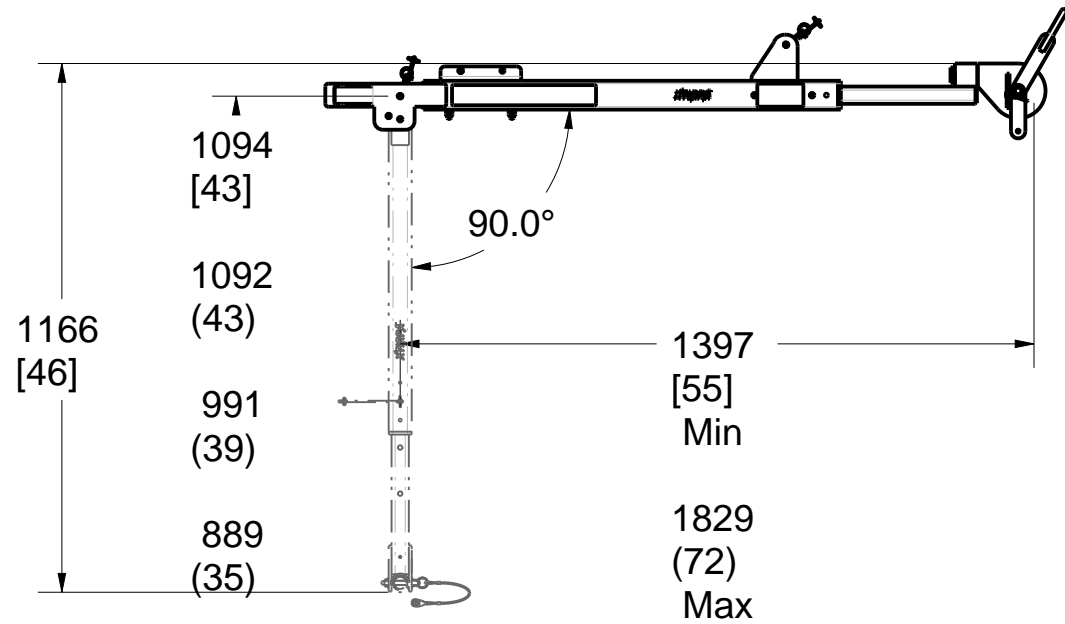
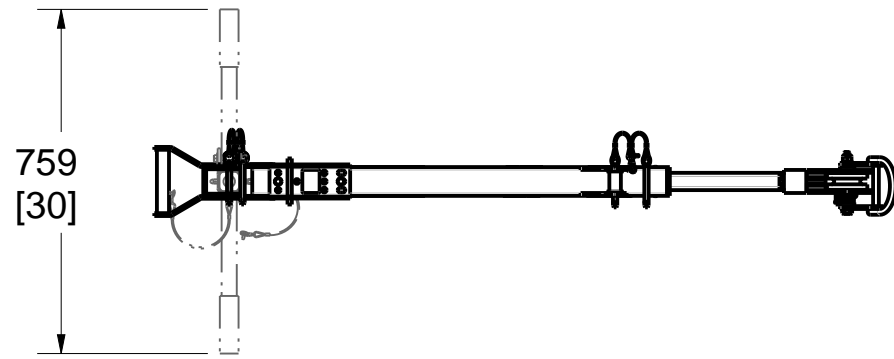
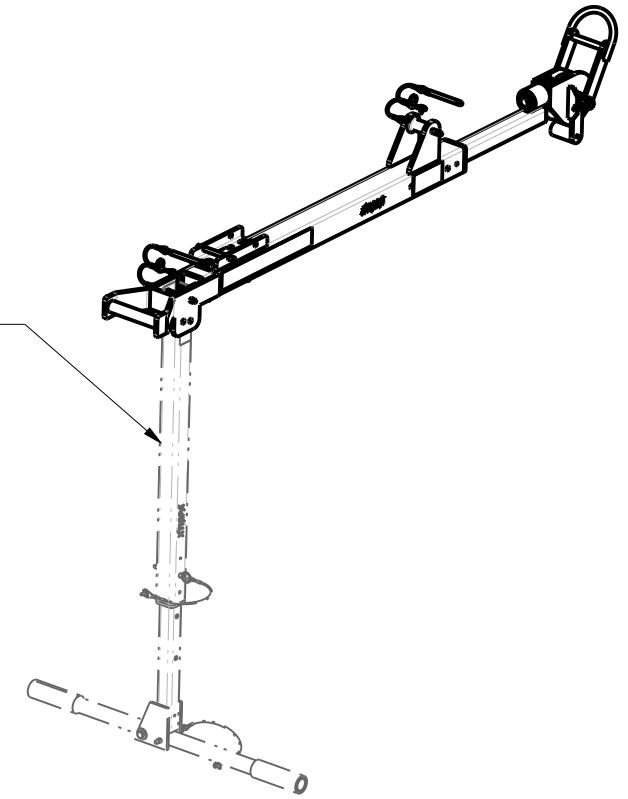


Additional Extension Positions
1467(58)-1587(62)-1714(67)-1835(72)

PAT. NO.:		©22/03/2013 ©	
PRODUITS DE SERVICE PUBLICS INNOVA INC. INNOVA PUBLIC UTILITY PRODUCTS INC.			
<small>© 9105-0732 QUEBEC INC. and under exclusive license to INNOVA PUBLIC UTILITY PRODUCTS INC., (hereafter « INNOVA »). All rights reserved. Protected under the Copyright Act of Canada and international treaties and agreements regarding copyrights. Violators are subject to prosecution and other legal recourses for infringement. Any reproduction, adaptation or other use or disclosure whatsoever, in totality or in part, and in any form or by any means whatsoever, strictly forbidden and requires the prior written approval of INNOVA. All data is the exclusive property of 9105-0732 QUEBEC INC. and under exclusive license to INNOVA and cannot be used nor disclosed in any way either without the prior written approval of INNOVA.</small>			
WEIGHT:	TITLE:		
21 Lb	Pole hoist		
10 Kg	1219-1829mm (48-72")		
COLOR:	MATERIAL:	SHEET(S):	PROJECT:
Safety Yellow	Aluminum	1 / 4	IN-2337



IN-2127
or
IN-2256
or
IN-2274



PAT. NO.:		©22/03/2013	©
PRODUITS DE SERVICE PUBLICS INNOVA INC. INNOVA PUBLIC UTILITY PRODUCTS INC.			
<small>© 9105-0732 QUEBEC INC. and under exclusive license to INNOVA PUBLIC UTILITY PRODUCTS INC., (hereafter « INNOVA »). All rights reserved. Protected under the Copyright Act of Canada and international treaties and agreements regarding copyrights. Violators are subject to prosecution and other legal recourses for infringement. Any reproduction, adaptation or other use or disclosure whatsoever, in totality or in part, and in any form or by any means whatsoever, strictly forbidden and requires the prior written approval of INNOVA. All data is the exclusive property of 9105-0732 QUEBEC INC. and under exclusive license to INNOVA and cannot be used nor disclosed in any way either without the prior written approval of INNOVA.</small>			
WEIGHT:	TITLE:		
21 Lb	Pole hoist		
10 Kg	1219-1829mm (48-72")		
COLOR:	MATERIAL:	SHEET(S):	PROJECT:
Safety Yellow	Aluminum	2 / 4	IN-2337

Product number: IN-2337

SPECIFICATIONS

H This equipment is considered as part of a personal fall arrest system (PFAS) with a maximum working capacity of 164 Kg (360 lb).

It is only to be used in conjunction with a personal fall arrest system that limits the maximum arrest force (MAF).

G Maximum Working Capacity (Mass): 164 kg (360 lb).
Maximum design capacity : 16,014 N (3,600 lbf).

STANDARDS

Meets the following standards:

F OSHA Personal fall arrest system: 1910.66 App C
ANSI Safety requirements for personal fall arrest system, Subsystems and components Z359.1 - 2007
CAN/CSA Fall arresters, vertical lifelines, and rails Z259.2.1-98
CE EN 795:2012 Type A

E MATERIAL AND CONSTRUCTION

Extension and guide tubes : Aluminum 6061-T6
Suspension hook : 304 Stainless Steel
Hardware : Zinc plated steel
Guide tube sliders, pulley and roller : Black Acetal
Finish : Yellow security powder paint with metal protection base.
D Welding certification: CSA W47,2M

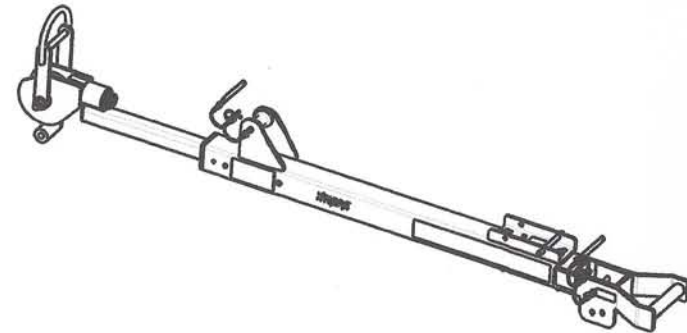
RESTRICTIONS

C This product is to be used only with products approved by Innova Public Utility Products Inc., such as:
IN-2127 / IN-2256 / IN-2274 Adjustable T-Bar.

IMPORTANT :

B ****The positioning pins must always be in place when manoeuvring personnel. Otherwise, serious injuries may occur. Periodic inspections of hardware must be done. In the occurrence of a fall or the safety of the equipment is in doubt, equipment must be immediately removed from service and inspected by qualified personnel before reuse.**

A **** This equipment must always be operated in a level position.**



PAT. NO.:		©22/03/2013 ©	
PRODUITS DE SERVICE PUBLICS INNOVA INC. INNOVA PUBLIC UTILITY PRODUCTS INC.			
<small>© 9105-0732 QUEBEC INC. and under exclusive license to INNOVA PUBLIC UTILITY PRODUCTS INC., (hereinafter "INNOVA"). All rights reserved. Protected under the Copyright Act of Canada and international treaties and agreements regarding copyrights. Violations are subject to prosecution and other legal remedies for infringement. Any reproduction, adaptation or other use or disclosure whatsoever, in whole or in part, and in any form or by any means whatsoever, strictly forbidden and requires the prior written approval of INNOVA. All data is the exclusive property of 9105-0732 QUEBEC INC. and under exclusive license to INNOVA and cannot be used nor disclosed in any way either without the prior written approval of INNOVA.</small>			
WEIGHT:	TITLE:		
21 Lb	Pole hoist		
10 Kg	1219-1829mm (48-72")		
COLOR:	MATERIAL:	SHEET(S):	PROJECT:
Safety Yellow	Aluminum	3 / 4	IN-2337

Stamping aspicée

8

7

6

5

4

3

2

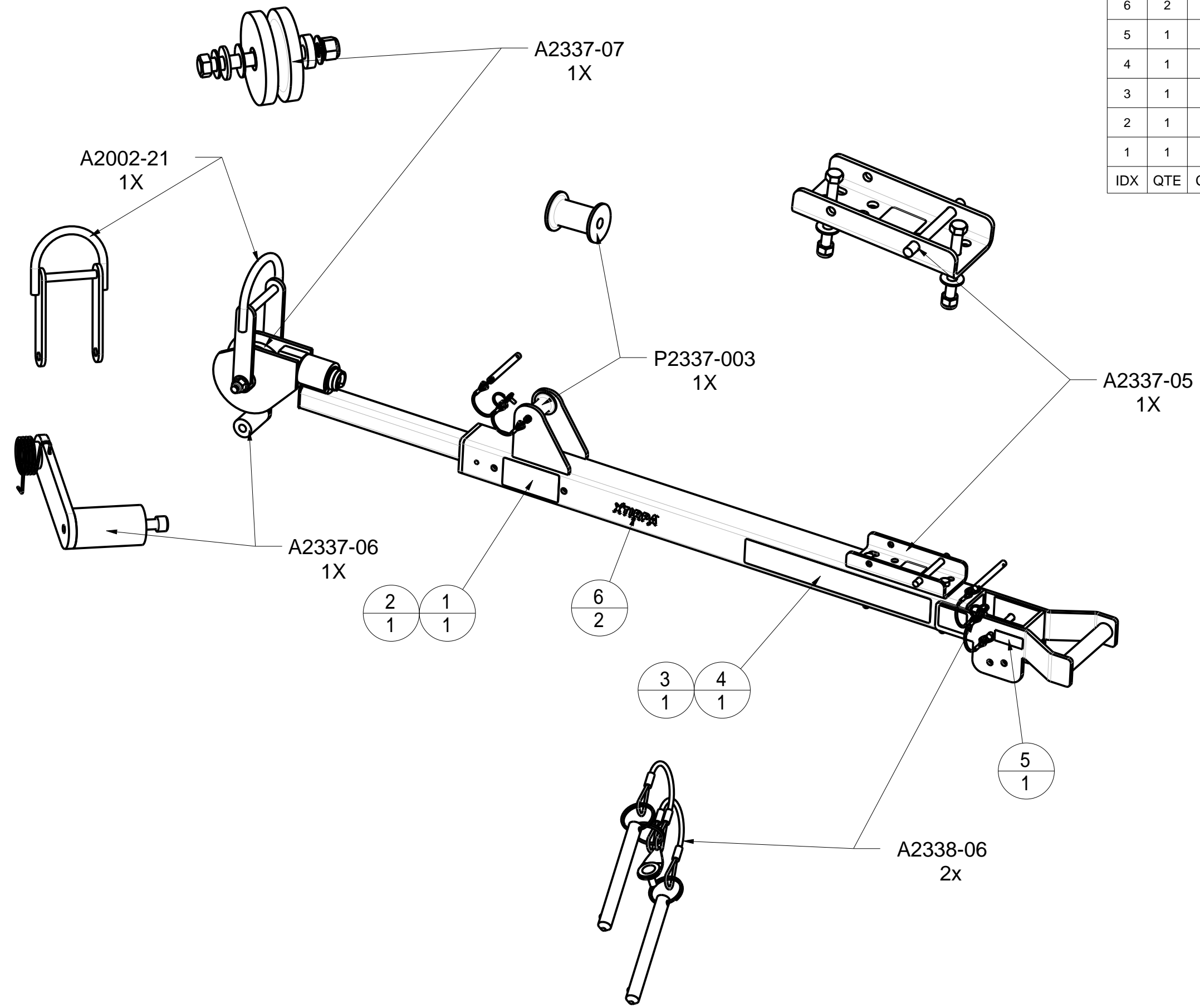
1

Product number: IN-2337

IDX	QTE	COMPONENT	REV	DESCRIPTION	MATERIAL
6	2	S2001-003	04	XTIRPA Label	
5	1	S2337-003	REV B	Security Label Type A	
4	1	S2337-001	REV D	Label Instruction French	
3	1	S2337-002	REV D	Label Instruction English	
2	1	S2197-007	revC	Label "Warning" English	
1	1	S2197-006	revC	Label "Attention" French	

H
G
F
E
D
C
B
A

H
G
F
E
D
C
B
A



PAT. NO.:		©22/03/2013	©
PRODUITS DE SERVICE PUBLICS INNOVA INC. INNOVA PUBLIC UTILITY PRODUCTS INC.			
<small>© 9105-0732 QUEBEC INC. and under exclusive license to INNOVA PUBLIC UTILITY PRODUCTS INC., (hereafter « INNOVA »). All rights reserved. Protected under the Copyright Act of Canada and international treaties and agreements regarding copyrights. Violators are subject to prosecution and other legal recourses for infringement. Any reproduction, adaptation or other use or disclosure whatsoever, in totality or in part, and in any form or by any means whatsoever, strictly forbidden and requires the prior written approval of INNOVA. All data is the exclusive property of 9105-0732 QUEBEC INC. and under exclusive license to INNOVA and cannot be used nor disclosed in any way either without the prior written approval of INNOVA.</small>			
WEIGHT:	TITLE:		
21 Lb	Pole hoist		
10 Kg	1219-1829mm (48-72")		
COLOR:	MATERIAL:	SHEET(S):	PROJECT:
Safety Yellow	Aluminum	4 / 4	IN-2337

8

7

6

5

4

3

2

1