

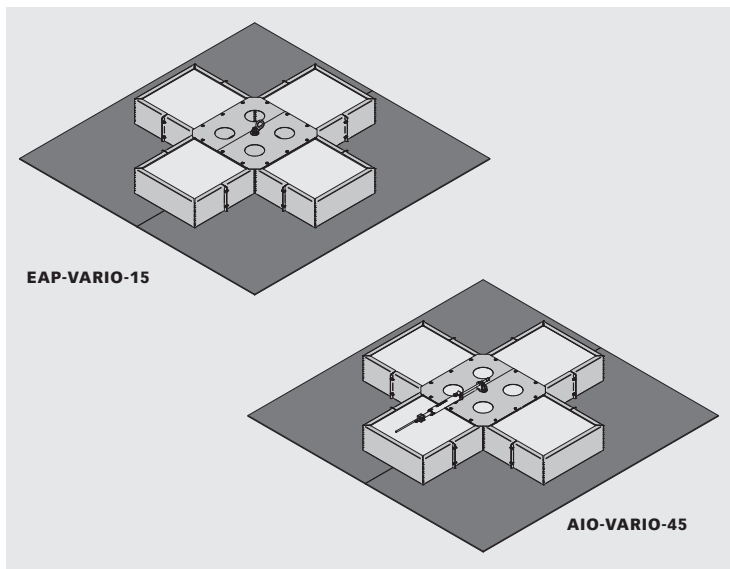
Load-bearing lifeline system **VARIO**

EN

The load-bearing lifeline system VARIO of INNOTECH is outmost economic: Only 28 screw connections are required for installation - therefore the assembly time will be reduced by 50%! Furthermore the system disposes of four maintenance openings, which enable access to the screw connections at any time - thereby further simplifying annual testing considerably!

The system has also been tested on wet substructures!

- for flat roofs up to 5° pitch, with a parapet
- anchor point or component for INNOTECH lifeline and rail systems
- self-supporting; can be filled with concrete or concrete slabs
- installation without roof penetration (avoids cold bridges)
- no flaming or sticking required
- comfortable transport unit
- can be retrofitted at any time
- to the latest state of the art certification:
EN 795:2012 TYPE C and E



EAP-VARIO-15

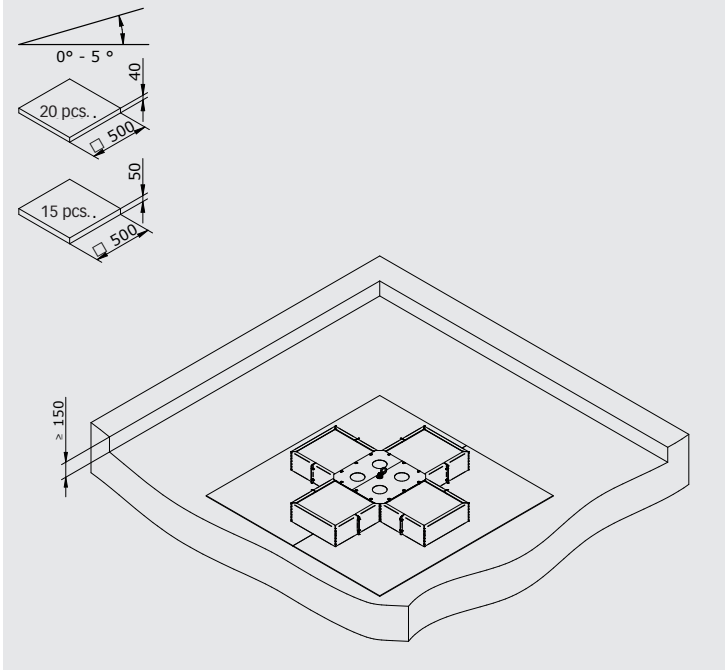
AIO-VARIO-45

EAP-VARIO-15
SINGLE ANCHOR POINT – SELF SUPPORTING
with rotating anchorage eye (EN 795 E)

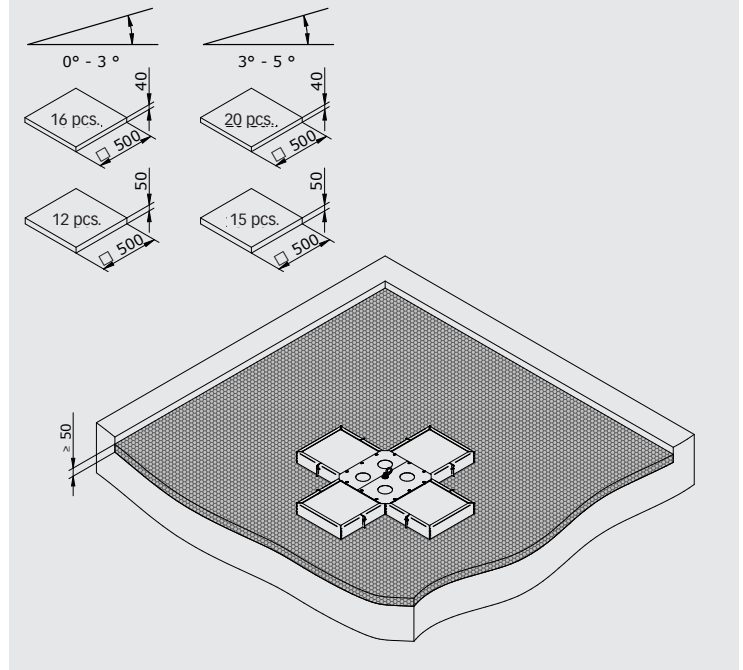
AIO-VARIO-45
END, CORNER POINT OR INTERMEDIATE BRACKET
in AIO lifeline system, self-supporting (EN 795 C-E)



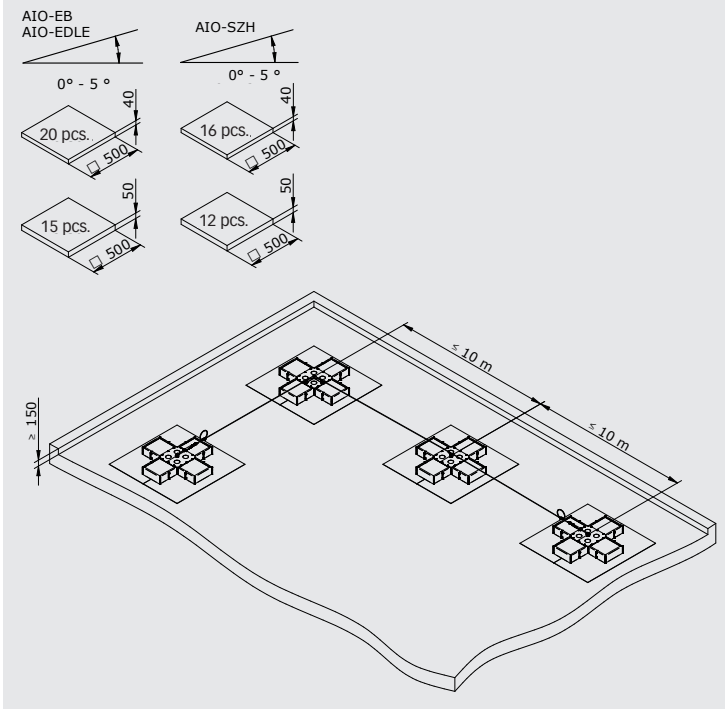
EAP-VARIO-15 (WITHOUT GRAVEL)



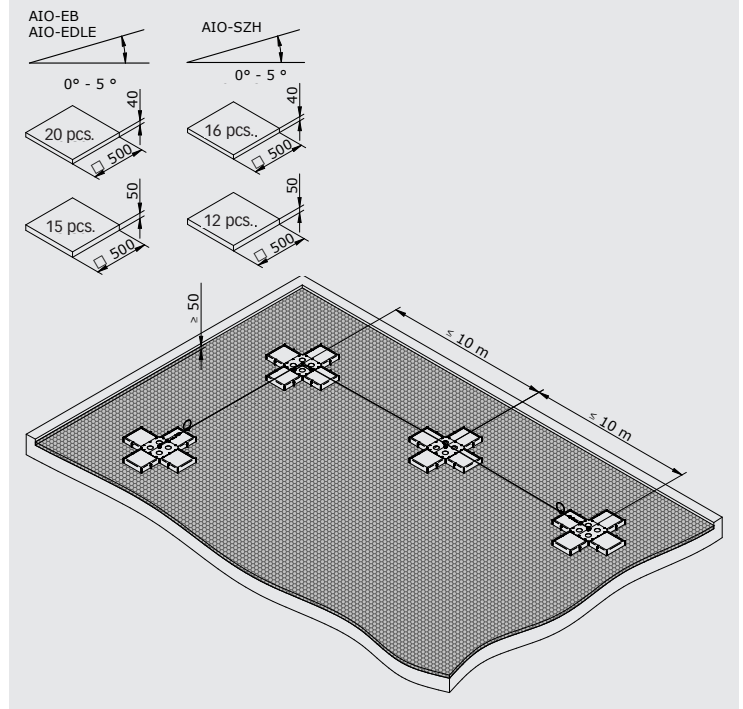
EAP-VARIO-15 (WITH GRAVEL)



AIO-VARIO-45 (WITHOUT GRAVEL)



AIO-VARIO-45 (WITH GRAVEL)



ANCHORAGE POINT VARIANT

AIO-VARIO-15

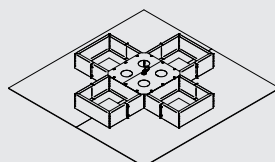
SINGLE ANCHOR POINT – SELF SUPPORTING with rotating anchorage eye (EN 795 E)

Mountable on: flat roofs up to 5° pitch with parapet
Dimensions: 1536 x 1536 mm

Weight: c. 21 kg (without underlay mat)

Final weight: c. 384 - 499 kg

Can be filled with: concrete or 12/15 pcs. of concrete slabs (50 x 50 x 5 cm, 49 x 49 x 5 cm) or 16/20 pcs. of concrete slabs (50 x 50 x 3,8 cm)
Material: stainless steel (AISI 304)



Without roof perforation!

LIFELINE SYSTEM VARIANTS

AIO-VARIO-45

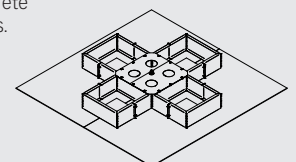
END, CORNER POINT OR INTERMEDIATE BRACKET in AIO lifeline system, self-supporting (EN 795 C-E)

Mountable on: flat roofs up to 5° pitch with parapet
Dimensions: 1536 x 1536 mm

Weight: c. 21 kg (without underlay mat)

Final weight: c. 384 - 499 kg

Can be filled with: concrete or 12/15 pcs. of concrete slabs (50 x 50 x 5 cm, 49 x 49 x 5 cm) or 16/20 pcs. of concrete slabs (50 x 50 x 3,8 cm)
Material: stainless steel (AISI 304)



Without roof perforation!