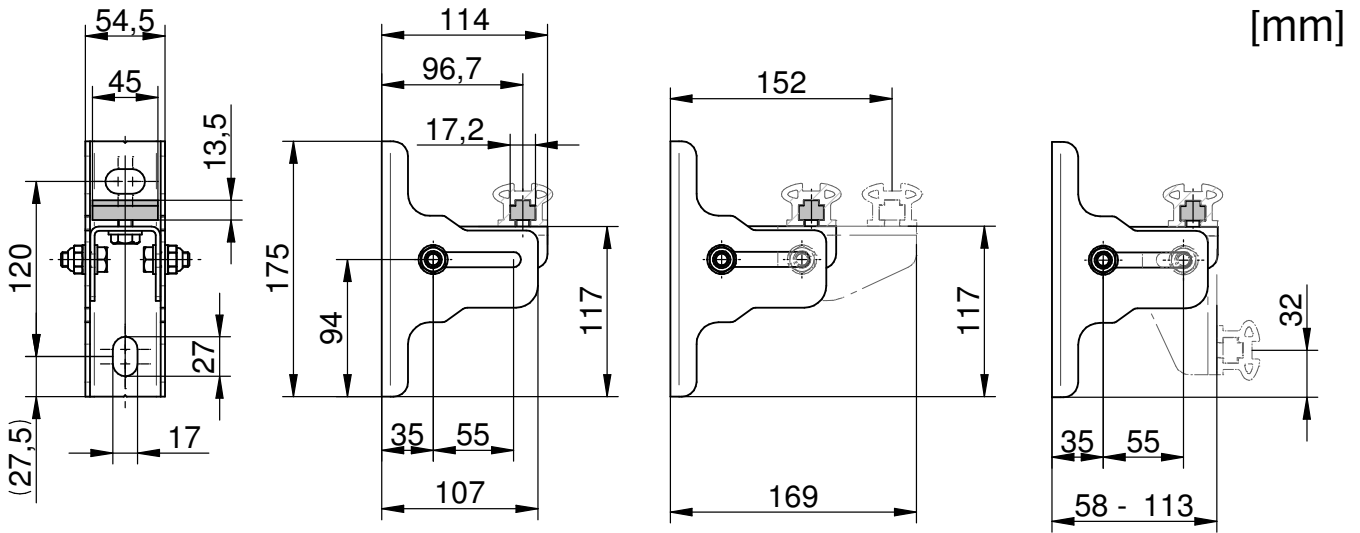
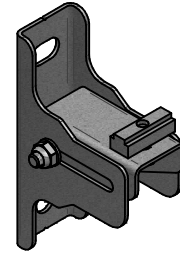
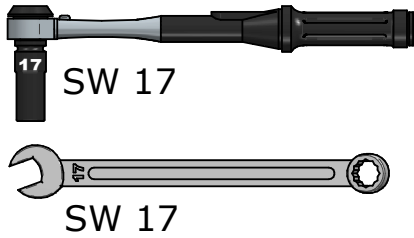




TAURUS-BEF-20



- 1.** [mm]

Fischer FIS SB 390 S
Hilti HY 200

C 20/25

Ø 17 DIN125 A2
M16 DIN985 A2

M 16

3
- 2.**

2x 40 Nm
- 3.**

40 Nm

