

HARKEN[®]

INDUSTRIAL



HARKEN[®]

Winch LokHead 500

INLH500

Instruction Manual



Please read these instructions carefully before operating equipment.



Original Instructions

Rev. 02
ULH500_04/04/2016

Index.....	3
Introduction.....	5
About This Manual.....	5
Glossary and Symbols.....	5
General Information.....	6
Identification Data and Plates on the Device.....	6
Model for Declaration of EC Compliance.....	7
Technical Support Information.....	8
General Advice.....	8
Intended Use.....	8
Improper Use.....	8
Personal Protective Equipment (PPE).....	9
Residual Risks.....	9
Safety Information.....	9
Winch LokHead 500.....	10
System Description.....	10
<i>Standard Configuration</i>	10
<i>Tripod Use Configuration</i>	10
Outline.....	11
<i>Standard Configuration</i>	11
<i>Tripod Use Configuration</i>	12
Max Working Load.....	13
Rope Requirements.....	13
Technical Data.....	13
Lokhead Winch Installation.....	14
<i>Mounting Surface</i>	14
<i>Winch Entry Angle of Lifting Rope</i>	14
<i>Winch Location</i>	14
<i>Installation Procedure</i>	14
<i>Final Installation</i>	16
<i>Mounting Template - Lokhead Winch</i>	17
<i>Mounting Template - Plate Adapter</i>	17
Lokhead Winch, Plate and Plate Adapter Installation.....	18
<i>Positing the control lever</i>	18
Lokhead Winch, Plate and Tripod Adapter Installation.....	20
Using The Device - Checking The Device Before Use.....	23
<i>Using The Device - Checking The Device Before Use</i>	24
Lifting Load.....	24
Lowering Load.....	27
Maintenance.....	27
<i>Wash</i>	27
<i>Maintenance Schedule</i>	27
<i>Spare Parts</i>	28
Handling.....	28
Storage.....	28
Maintenance Schedule.....	28
Worldwide Limited Warranty.....	32



ABOUT THIS MANUAL

This User Manual is an integral part of the device and aims to provide all the information needed for its safe and correct use and for proper maintenance.

If there are instructions you do not understand, contact Harken.

Keep the manual in a safe place for future consultation. This manual may be modified without notice. Updated versions are available on www.harkenindustrial.com.

This manual is for qualified operators (refer to the Safety Information chapter for more information). Improper use of the device or incorrect maintenance could cause severe damage or death.

Harken accepts no responsibility for damage, personal injury or death caused by failure to observe the safety information and instructions in this Manual.

The manufacturer cannot be liable for damage, injury or consequential loss resulting from installation or servicing by unqualified personnel.

The manufacturer will also not be liable for damage, injury, or consequential loss resulting from incorrect operation or modification of the equipment.

GLOSSARY AND SYMBOLS

Intended Use - use of the device according to the information supplied in the instructions for use.

Improper Use - use of the device in a way different from that indicated in the instructions for use.

Qualified Operator - people who have attended specialisation, training, courses, etc. and are qualified for using lifting people devices to the current regulations of the Nation in which the device is used for rescue.

General User - a user that use the device to lifting loads

Text preceded by the following symbols contains very important information or instructions, especially in regards to safety.

Failure to observe these may lead to:

- danger for operators
- invalidity of the contract warranty
- refusal of the manufacturer to accept responsibility



WARNING!

this denotes the existence of the potential danger, which could cause injury or damage if the information or instructions are not followed





NOTE!

this denotes important information concerning the device

General Information

IDENTIFICATION DATA AND PLATES ON THE DEVICE

Each device is identified by a CE plate on which the reference data of the device are inscribed indelibly. Always quote these references when contacting the manufacturer or service centres.

HARKEN Italy spa		Winch LokHead 500		INLH500	
via Marco Biagi, 14 22070, Limido Comasco (CO) - Italy www.harken.com ☎ (+39) 031 3523511		Compliant: EN 1496:2007 class B		 EN 13157:2009	
 		rope diameter/diametro fune: ø 10-12,7 mm EN1891		Serial No. / N. di serie <div style="border: 1px solid black; width: 100px; height: 40px; margin: 5px;"></div>	
		Max Working Load (MWL): <i>Lifting Load</i> 500 kg / <i>Lifting Person</i> 240 kg		MADE IN ITALY	

1	2	
3	4	5
	7	
6	8	

1. name of manufacturer
2. name of product and model
3. manufacturer's identification data
4. CE mark according to 2006/42/CE
5. serial number in format:

S XXXXX
XXXXXXXXXX

last two numbers of the year of manufacture of the device (e.g. 15 = the year 2015)

6. pictogram instructing you to read the manual before using the device
7. safety information on the diameter of the rope to use: minimum 10 mm, maximum 12,7 mm: this rope must be EN 1891 certified
8. indicator of the Max Working Load (MWL) of the device, with specific load for lifting load and lifting person

The CE plate is on the skirt of the device (see figure on right)



MODEL FOR DECLARATION OF EC COMPLIANCE**DECLARATION OF EC COMPLIANCE****1. (All. IIA Dir. 2006/42/CE)**

The undersigned

Harken Italy S.p.A.

Via Marco Biagi, 14, 22070 Limido Comasco (CO) Italy

Telephone: +39 031/3523511, Fax: +39 031/3520031

Email: italy@harken.it, Web: www.harken.it

hereby declares

that the hand powered crane:

Winch Lockheed 500

Model

INLH500

Serial Nr.

**complies with the essential requirements defined by the following directives:**

- ⇒ Directive 2006/42/CE of the European Parliament and Council of 17th May 2006 concerning "machines" amending directive 95/16/CE;
- ⇒ Regulations reference: EN 13157:2009
- ⇒ Technical standards used: EN 1496:2007 Class B

and authorisesName and Surname: **Andrea Merello**

Address: HARKEN ITALY S.p.A. Via Marco Biagi, 14

Post code: 22070

Province: Como

City: Limido Comasco

Country: Italy

to carry out the technical file for it

HARKEN ITALY S.p.A.

.....
Legal representative

General Information

TECHNICAL SUPPORT INFORMATION

LokHead Winch is covered by a warranty, as laid down in the general conditions of sale. If during the warranty period the device proves defective or suffers breakages, as indicated in the warranty, the manufacturer, after checking the device, will repair or replace the defective components. You are reminded that modifications carried out by the user, without explicit written authorisation from the manufacturer, will invalidate the warranty and relieve the manufacturer of any responsibility for damage caused by the defective product. The same considerations apply when spare parts that are not original or different from those explicitly indicated by the manufacturer. For all these reasons we advise customers to contact Harken Technical Support.



WARNING!

read the instructions in this manual attentively and carefully follow the indications it contains before using the LokHead Winch.

Safety Information

GENERAL ADVICE

Use of the LokHead Winch for lifting people, in rescue situation, is restricted to qualified operators who have attended specialist, training, courses, etc. and are qualified for using rescue lifting devices to the current regulations of the Nation in which the device is used for rescue.

Use of the LokHead Winch for lifting loads is permitted to a general user in accordance with National Regulations & Working Guidelines/Practices.

Harken is not responsible for damage caused by the LokHead Winch to people, animals or property in the case of:

- use of the LokHead Winch by operators not qualified operators for lifting people
- improper use of the LokHead Winch
- lack of proper maintenance, as indicated in the Maintenance chapter of this Manual
- unauthorised modifications or changes
- use of spare parts that are not original or specific for the model
- total or partial failure to observe the instructions
- usage contrary to specific national regulations

INTENDED USE

This winch is designed to be used as a manually powered, rope-handling winch for lifting, lowering, and pulling loads.

Moreover the LokHead Winch is designed and compliant to be used in rescue operation, by a qualified operator.

The LokHead Winch must be used after being mounted on a suitable anchorage point.

It is designed to be mounted with the base in a vertical plane.

All the equipment and anchor devices used in conjunction with the Lokhead winch to lift person in rescue operation, must be certified for their intended use in the rescue operation.

IMPROPER USE

The winch must not be used:

- for purposes different from those outlined in "Intended use" chapter, or for purposes not mentioned in this manual or different from those mentioned

- if unauthorised modifications or interventions have been carried out
- in an explosive atmosphere
- after it has fallen from a height of more than 1 meter onto a hard surface. In this case the device must be returned to the manufacturer or to a Harken authorised repair centre
- with wire rope
- with loads in excess of the Maximum Working Load (MWL) of 240 kg for lifting persons in rescue operation
- with loads in excess of the Maximum Working Load (MWL) of 500 kg for lifting loads



WARNING!

Subjecting the winch to loads above the maximum working load can cause the winch to fail or pull off the mounting surface suddenly, possibly resulting in severe injury or death.

PERSONAL PROTECTIVE EQUIPMENT (PPE)

It is necessary use gloves when operating the device.



RESIDUAL RISKS

You must pay attention to the following residual risks present when using LokHead Winch:



WARNING! Rotating Parts Trapping Risk

Always wear clothing and protective gloves that are form fitting. Avoid loose gloves or clothing and always follow the instructions in the manual.

Winch LokHead 500

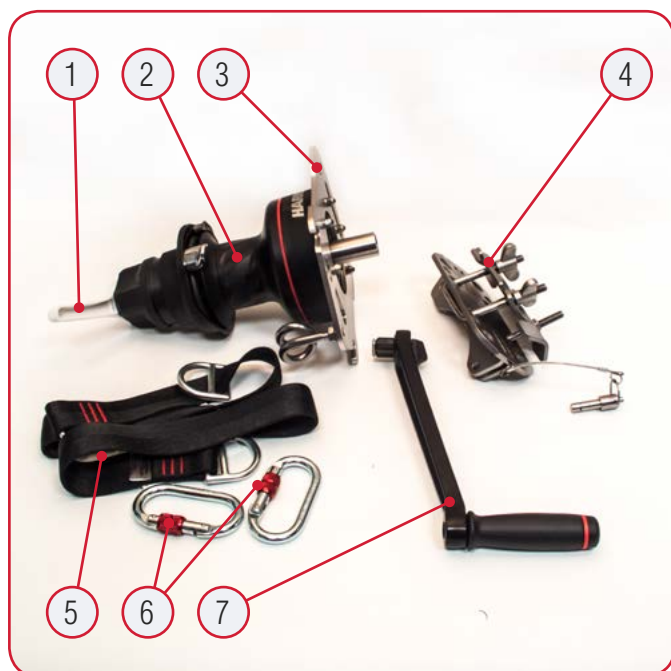
SYSTEM DESCRIPTION

Standard Configuration



Pos.	Description
1	Knob
2	Stripper Arm
3	Drum
4	Removable Skirt
5	Handle Socket
6	Handle Lock
7	Winch Handle

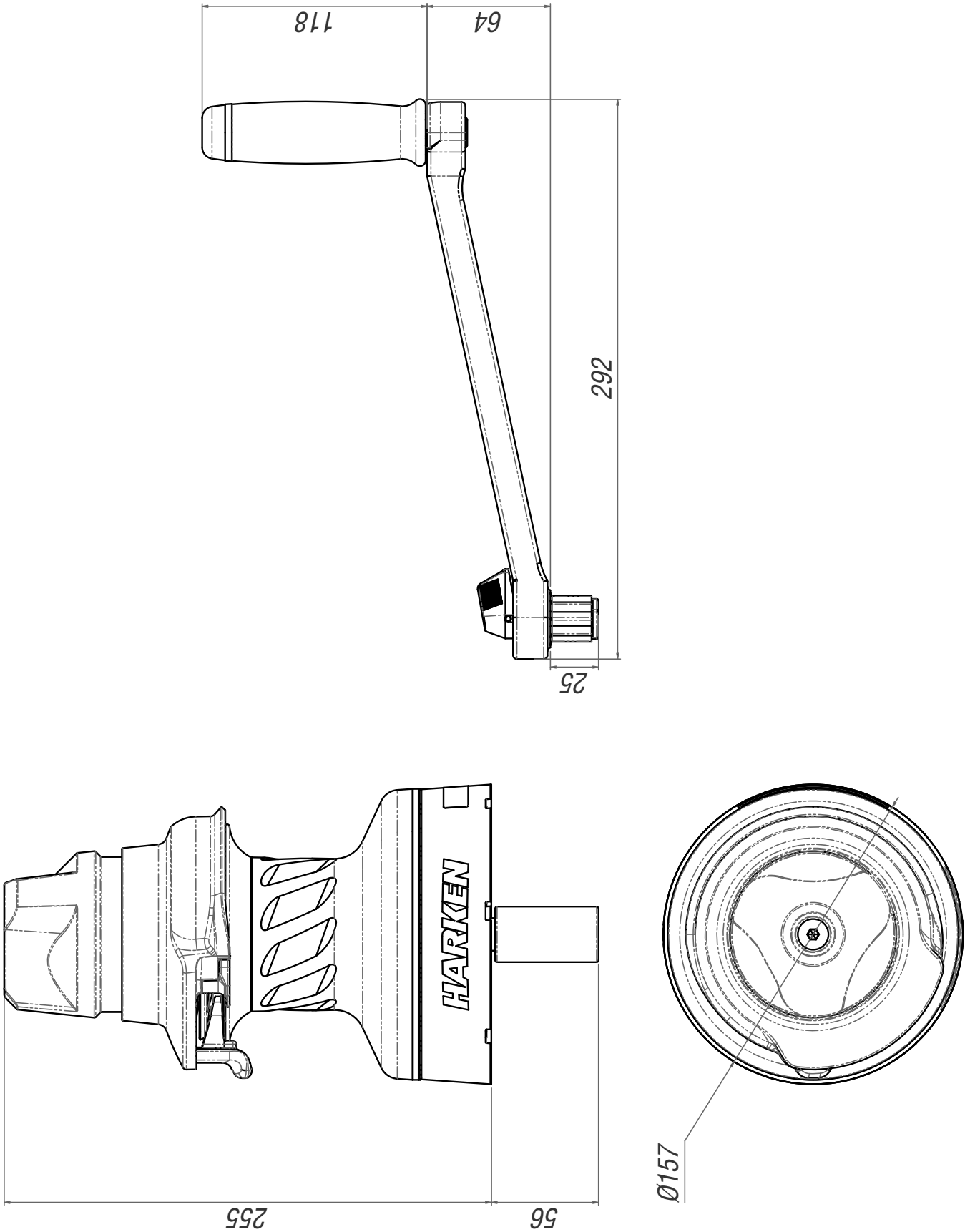
Tripod Use Configuration



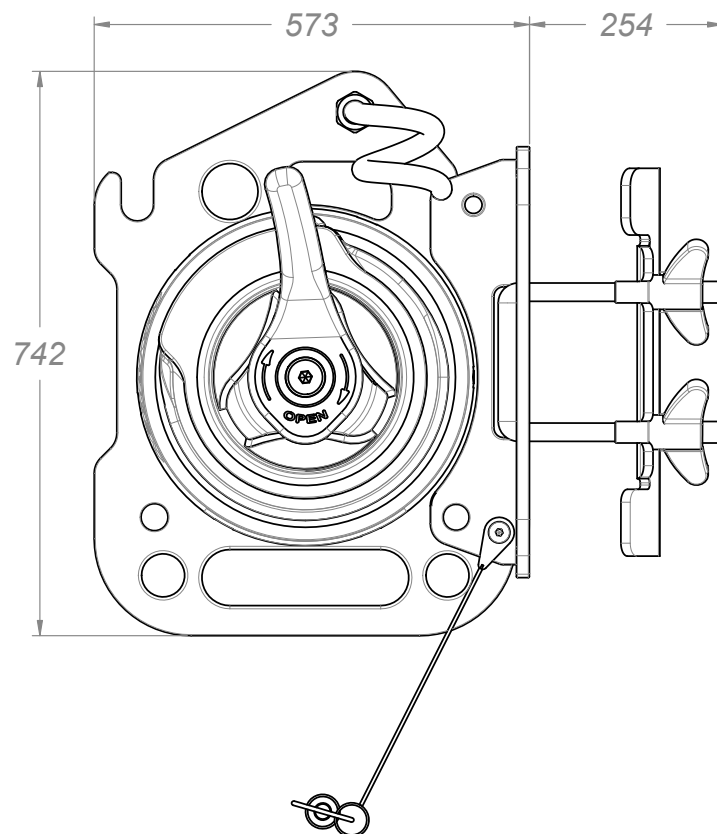
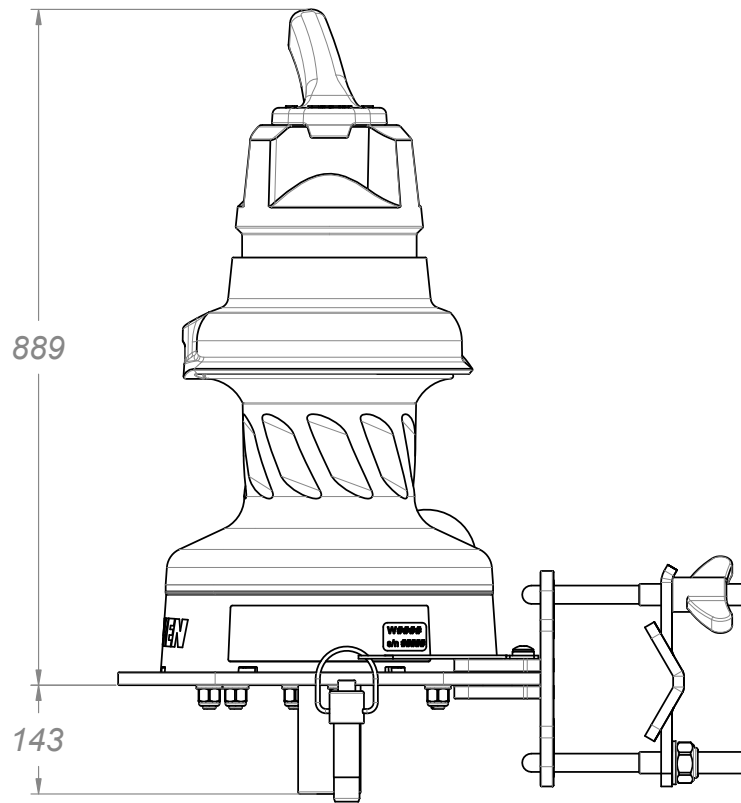
Pos.	Description
1	Control Lever
2	Winch Lokhead 500
3	Plate
4	Tripod Adapter
5	Anchor Device
6	Connector
7	Winch Handle

OUTLINE

Standard Configuration



Tripod Use Configuration



MAX WORKING LOAD

The Max Working Load of the Winch LokHead 500 is:

- 500 kg (1102,31 lb) for lifting loads
- 240 kg (529,11 lb) for lifting person in rescue operation



WARNING!

Do not apply a load greater than the Max Working Load to the Winch LokHead.

ROPE REQUIREMENTS



WARNING!

Use only EN1891 certified ropes with a diameter of between 10 - 12.7 mm (3/8" - 1/2") for lifting person.



WARNING!

Use only ropes in good condition.



WARNING!

For correct maintenance of ropes consult the rope Usage Manual.



WARNING!

Do not use with wire rope.

TECHNICAL DATA

Rope	Semi static 10mm-12.7mm (1/8"-1/2") EN1891 rope for lifting person in rescue operation. 10mm-12.7mm rope for lifting loads
Max Working Load	500 kg (1102,31 lb) - lifting loads 240 kg (529,11 lb) - lifting person in rescue operation
Power Ratio	13,50:1 - 1 st speed / 39,90:1 - 2 nd speed
Gear Ratio	2,13:1 - 1 st speed / 6,28:1 - 2 nd speed
Winch Weight	4,2 kg (9,25 lb)
Winch Handle Weight	0,5 kg (1,10 lb)
Plate + Plate Adapter Weight	2,8 kg (6,17 lb)
Tripod Adapter	2,2 kg (4,85 lb)
Winch Dimensions	311 x Ø157 mm (12,24" x Ø6,18")
Recommended working temperature range	-20°C +50°C

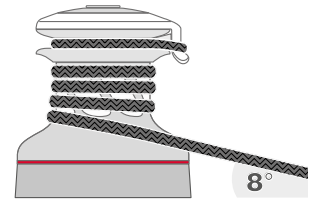
LOKHEAD WINCH INSTALLATION

Mounting Surface

Winch must be installed on a flat surface, reinforced if necessary, to withstand a load equal of 2400 kg.

Winch Entry Angle of Lifting Rope

Winch entry angle must be 8° with a tolerance of ±2° to avoid rope overrides.



WARNING!

Verify entry angle of rope. It must be 8° with tolerance of ±2°, to avoid rope overrides and damaging winch or making winch inoperable, leading to loss of control, possibly resulting in severe injury or death.

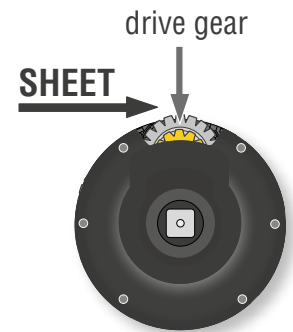
Mount winch so drive gear (11 - Pinion Z13) is positioned where rope enters winch drum.

Note: ▲ on winch skirt identifies location of drive gear.



WARNING!

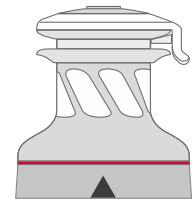
Mount winch so that drive gear is positioned where rope enters winch drum. Incorrect positioning of drive gear can weaken winch leading to failure, possibly resulting in severe injury or death.



Winch Location

Winch must be installed in a position to allow sufficient working space around unit, so not to impede operation of handles.

Winch must be installed in a position to ensure visibility of the lift trajectory by operator at all times.



WARNING!

Incorrect installation of winch may cause severe injury or death. Consult equipment supplier if in doubt about correct position of winch.

Harken® accepts no responsibility for defective installation or reassembly of its winches. If you have questions or concerns, Harken® Tech Service is at your disposal at techservice@harken.it.



NOTE!

1/4" Hex Head bolts do not fit in the holes and cannot be used to mount winch.

Installation Procedure

To install the winch you have to purchase separately five (5) M6 Hex Head (HH) Bolts (Galvanized, 10.9 UNI EN ISO 4014:2003)

Harken® does not supply bolts to install winch since lengths may vary depending on mounting surface.

It is installer's responsibility to choose correct bolts, taking into account loads they will have to withstand.

Harken® assumes no responsibility for incorrect installation of winch or for use of incorrect mounting bolts.




WARNING!

Failure to use correct number and type of mounting fasteners or failure to ensure correct mounting surface strength can result in winch pulling off suddenly and unexpectedly during high loads, possibly resulting in severe injury or death.

To install the winch you must remove the winch skirt and use five (5) M6 Hex Head (HH) Bolts (Galvanized, 10.9 UNI EN ISO 4014:2003).

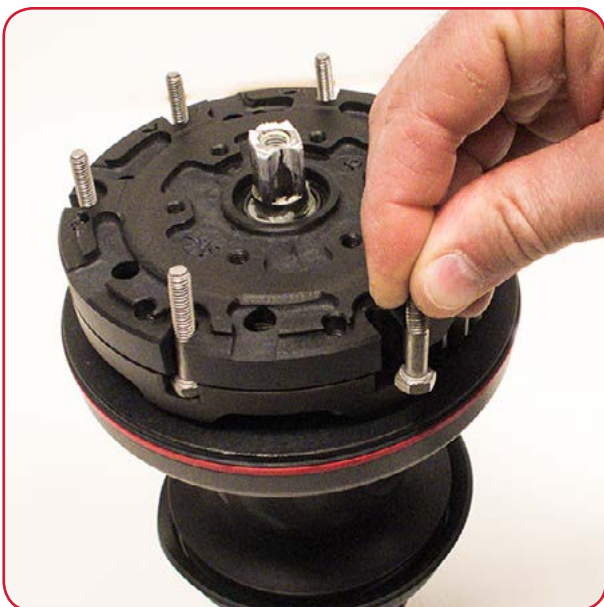
Tools needed:  One medium flat-bladed screwdriver



1. Remove the skirt with the help of the screwdriver placed as shown by the symbol 



2. Take off the skirt and position the 5 M6 hexagonal headed bolts in their holes



Note: 1/4" Hex Head bolts will not work for this procedure.



3. Reposition the skirt in housing and press down it to position correctly.

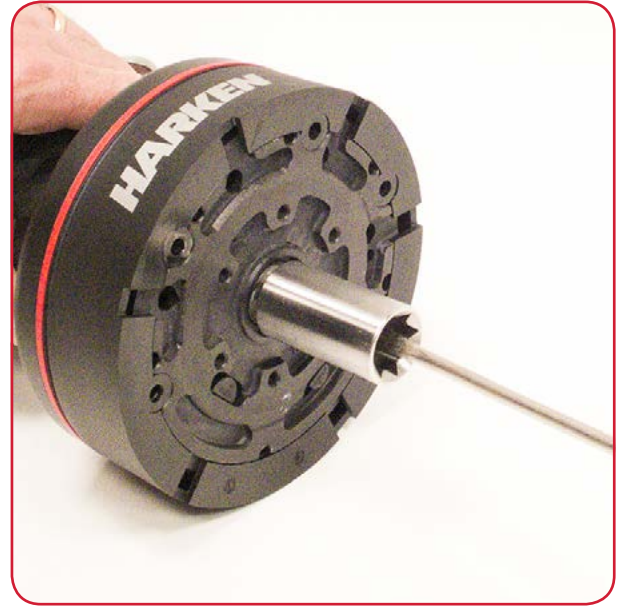
Note: Make sure skirt is correctly clipped on to base of winch.

Winch LokHead 500

Install the handle socket as shown:



4. Position the handle socket on the shaft.



5. Tighten the handle socket screw.

Final Installation

1. Carry out Installation Procedure, then install winch on a flat surface in selected position.
2. Position base of winch in selected area and mark holes or use drilling template.
Drilling template is available on Harken® website, www.harken.com. Download, print and compare template to winch to verify that size of template and hole position/sizes are correct. See reduced-size template.



NOTE!

When downloading winch templates make sure you have correct size paper and that printer will output at 100%. Before drilling holes verify that template is correct in every detail. Harken cannot be responsible for incorrectly drilled holes because of a faulty template.

3. Remove winch and drill five (5) 6.2 mm diameter clearance holes. If drilling and tapping consult industry standards for drill/tap size. **Important:** Do not countersink bolts.
4. Bolt base of winch to support plate. Use bolts that are the correct length for thickness and type of support plate. Consult equipment supplier if in doubt. Use five (5) M6 Hex Head (HH) bolts, washers, and nuts.



NOTE!

1/4" Hex Head bolts do not fit in the holes and cannot be used to mount winch.

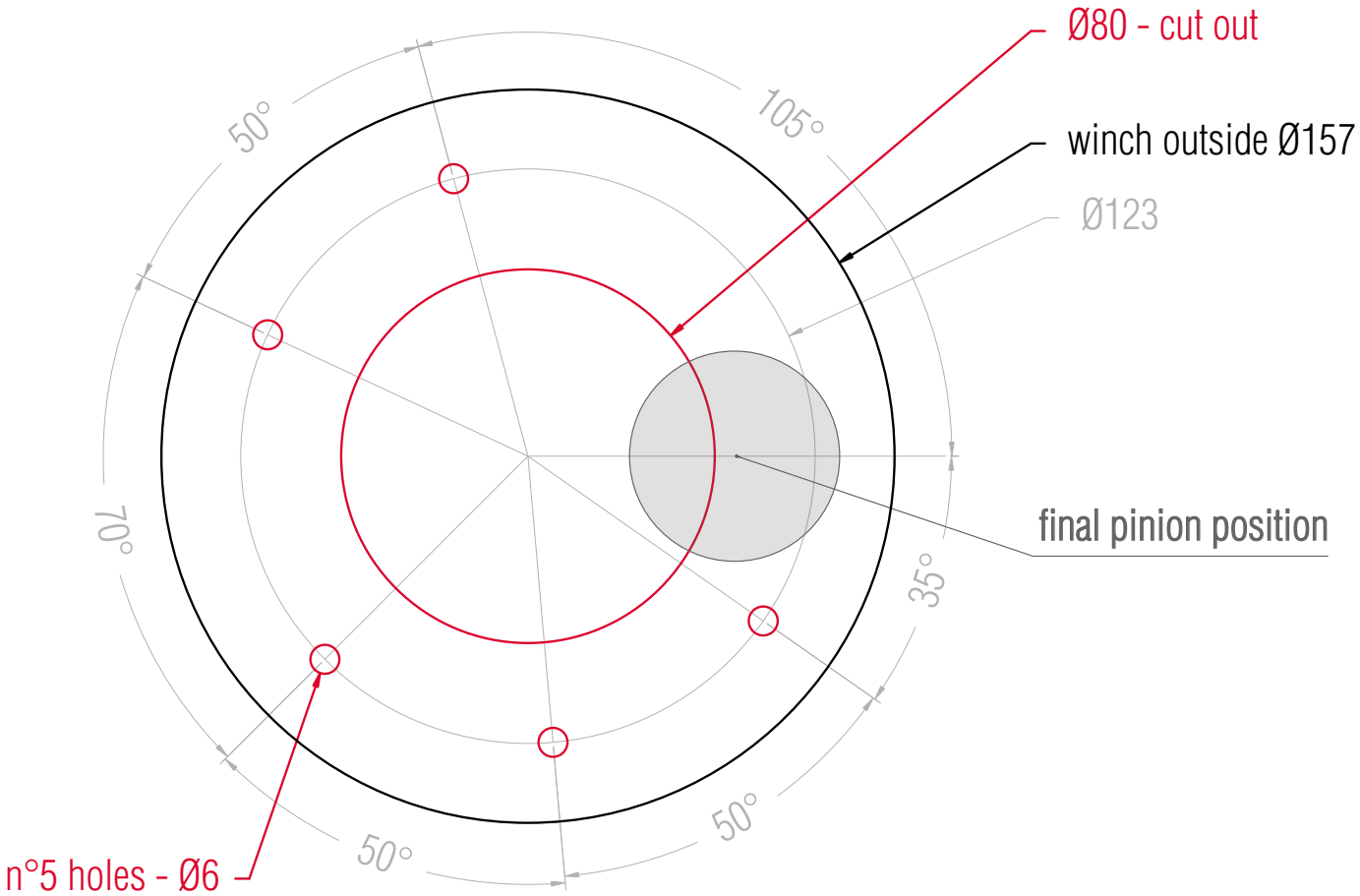
5. To obtain correct Maximum Working Load (MWL) all five bolts, nuts, and washers must be securely tightened.



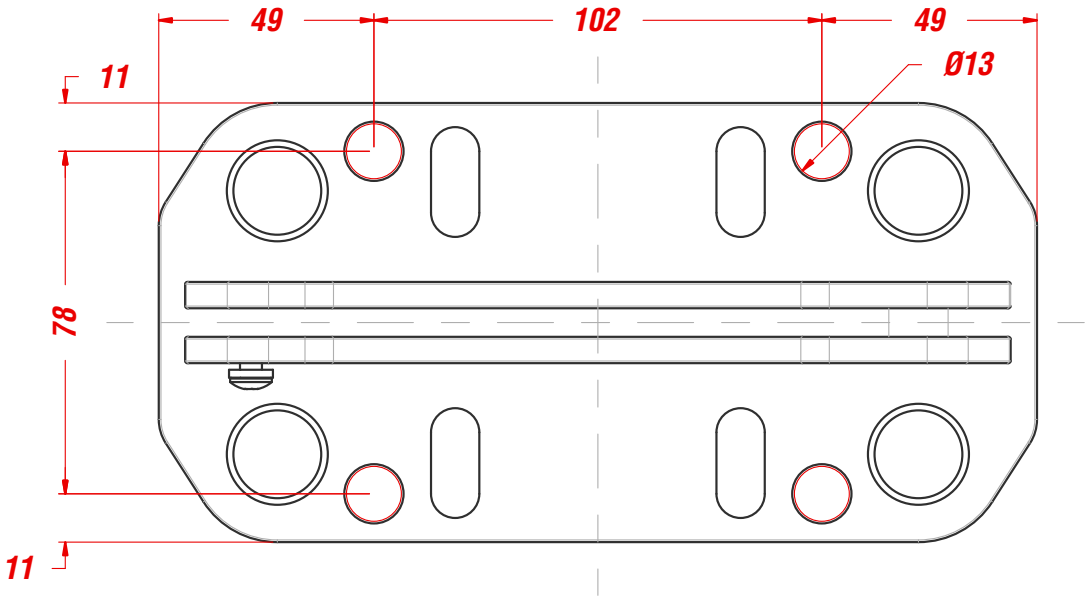
WARNING!

Failure to use correct number and length of mounting fasteners and/or failure to tighten them correctly can result in winch pulling off suddenly and unexpectedly during high loads which may cause load to drop, possibly resulting in severe injury or death.

Mounting Template - Lokhead Winch



Mounting Template - Plate Adapter



Drilling template of the holes provided for fastening with M12 screws

LOKHEAD WINCH, PLATE AND PLATE ADAPTER INSTALLATION

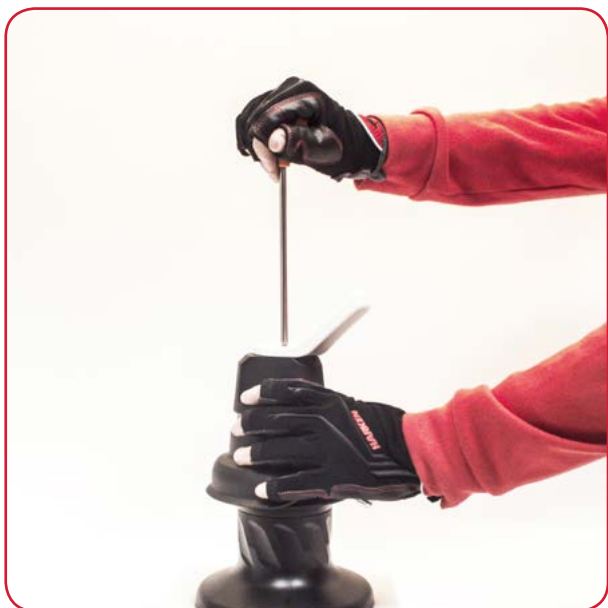
Positing the control lever



1. Untighten the knob screw.



2. Position the control level using the screw supplied with transformation kit.



3. Tighten the control lever screw.



Install the winch on the plate following the procedure described in the Lokhead Winch Installation chapter. Fix surely the plate to the plate adapter with the self-locking nut.

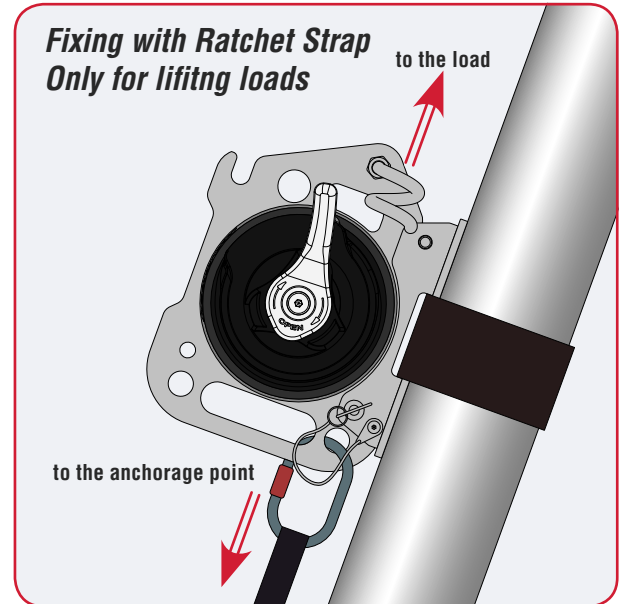
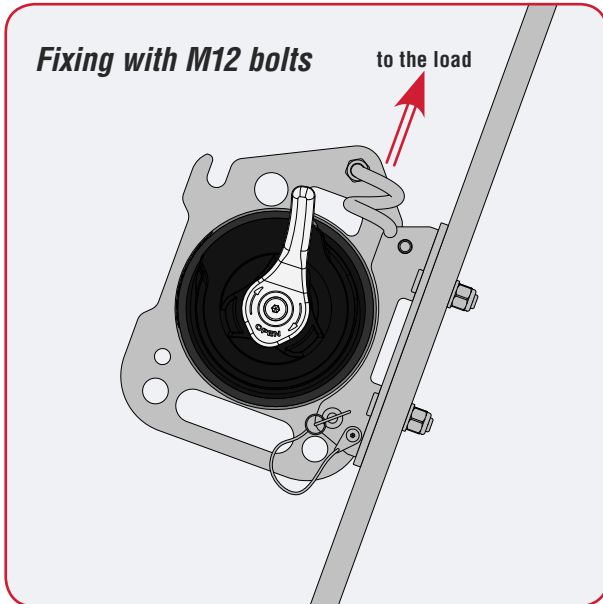
Install the LokHead winch and plate adapter fixing the plate with four(4) M12 bolts, washers and nuts on a flat surface, which withstand a load equal of 2400 kg.

It is installer's responsibility to choose correct bolts, taking into account loads they will have to withstand.

Harken assumes no responsibility to incorrect installation of winch and plate adapter or for use of incorrect mounting bolts.

**WARNING!**

Failure to use correct number and type of mounting fasteners or failure to ensure correct mounting surface strength can result in winch pulling off suddenly and unexpectedly during high loads, possibly resulting in severe injury or death.

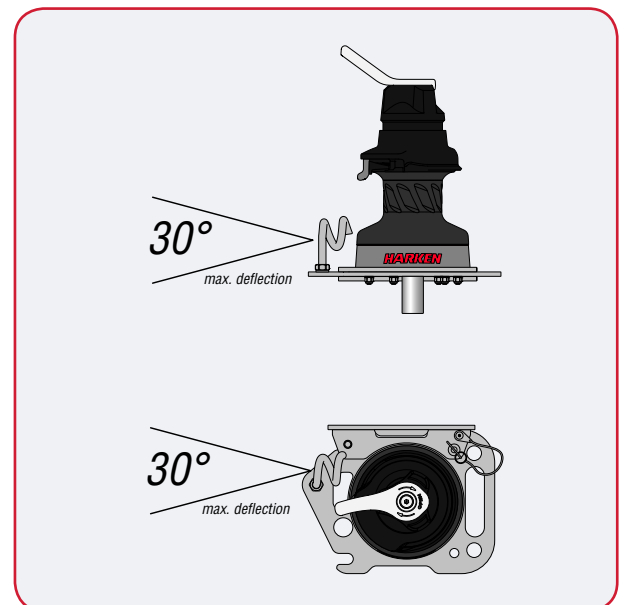


Only for lifting loads:

- It is possible to fix the plate using ratchet strap, connectors, anchor devices.
- It is the installer's responsibility to carry out all structural tests needed to ensure that the mounting surface can withstand the load.

Ensure the plate is securely attached to the mounting surface, so that it can operate under load without significant movement.

The winch plate must be installed so that the line can be led through the pigtail to the winch drum, with no more than 30° of line deflection in any plane. The installation should use pulley deflectors if necessary to ensure a fair lead to the winch. The pigtail should not take any angle load.



The winch plate must be installed in a position to allow sufficient working space around unit, so not to impede operation of handles.

Winch plate must be installed in a position to ensure visibility of the lift trajectory by operator at all times.

**WARNING!**

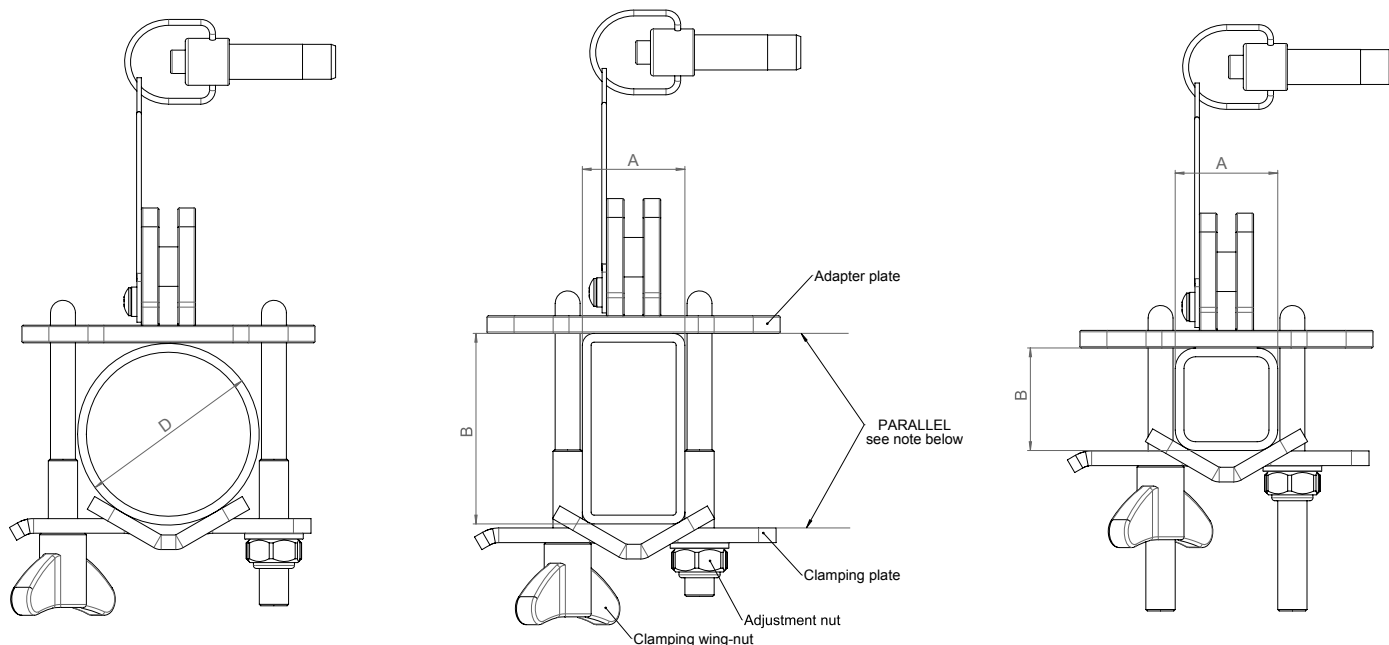
Incorrect installation of winch plate may cause severe injury or death. Consult equipment supplier if in doubt about correct position of winch plate.

LOKHEAD WINCH, PLATE AND TRIPOD ADAPTER INSTALLATION



WARNING!

Before installing the plate on the leg tripod check the dimensional compatibility between them.



Round section diameter range: Ø40-Ø65 mm

NOTE: Set the adjusting nut according to "B" dimension to maintain parallelism between plates in clamping position (clamping wing-nut tightened)

A	B						
35	35	40	45	50	55	60	65
40	40	45	50	55	60	65	
45	45	50	55	60	65		
50	50	55	60				
55	55	60					
60	60						

To install the winch on a tripod follow the procedure below:



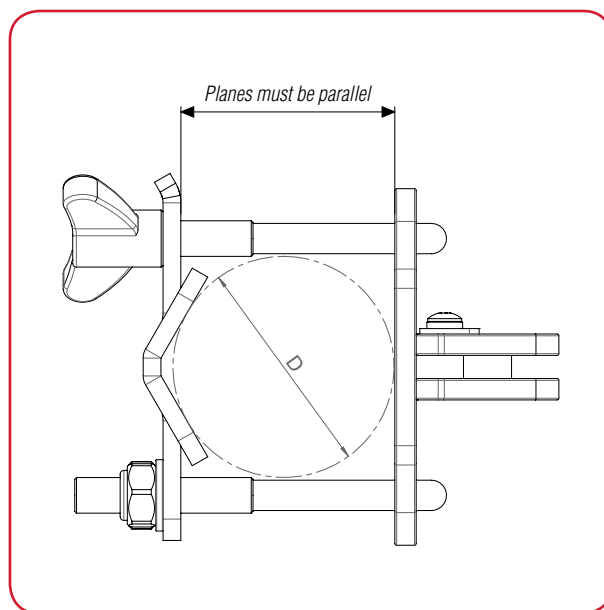
1. Position the tripod adapter on the tripod



2. Tighten the two nuts with a wrench.



3. Tighten the 2 wing nuts.



WARNING!

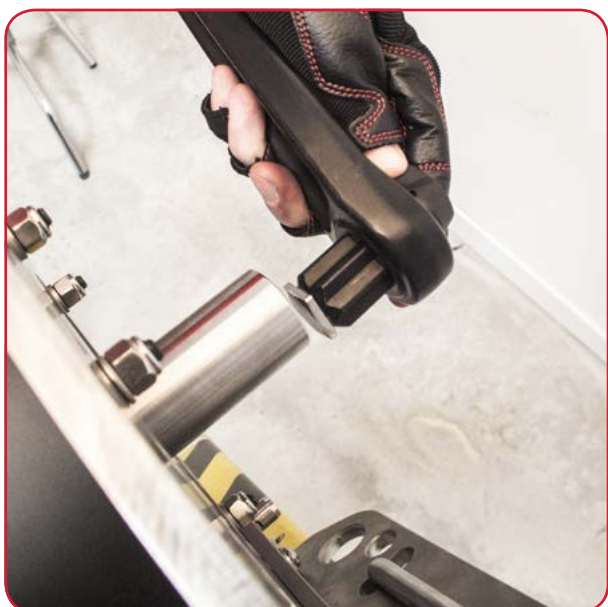
Make sure that the plates of the Tripod Adapter are locked and parallel as shown above.



4. Position the winch and plate on the tripod adapter.



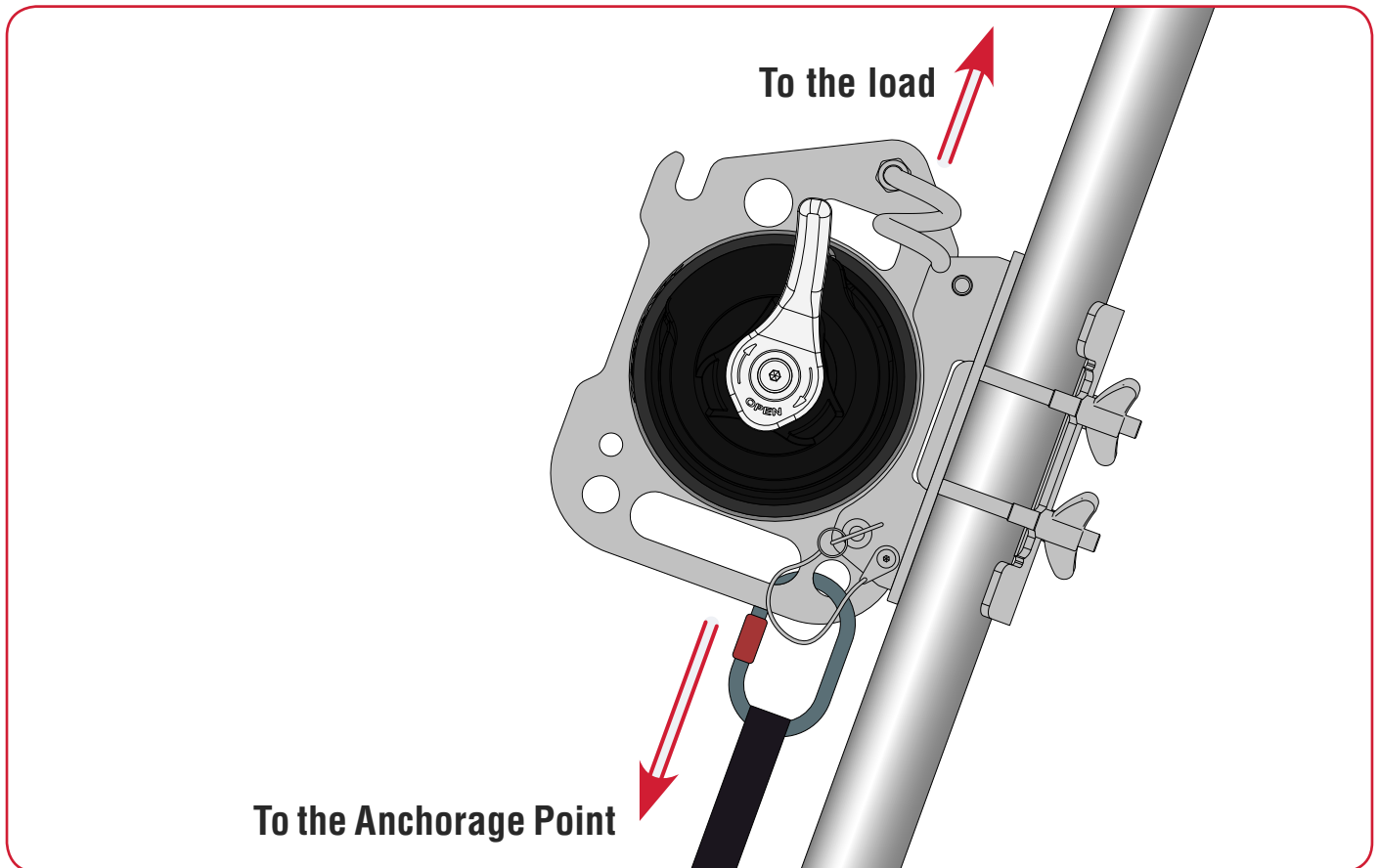
5. Fix surely the plate with the self-locking nut.



6. Insert the winch handle into the socket.



7. Engage the connector and the anchor device to the plate on the winch side, and to a safe anchorage point on the opposite side.



USING THE DEVICE - CHECKING THE DEVICE BEFORE USE

Before and after every use, visually inspect the Winch LokHead and plate for signs of wear, damage or failure. If such signs are present, do not use the device. If the worn or defective parts are not immediately replaced, the manufacturer will assume no responsibility for resulting damage or accidents.



Check the movement of the rope grab cover.



Check that the rope grab knob is working by rotating the knob and releasing it.

USING THE DEVICE - CHECKING THE DEVICE BEFORE USE

**WARNING!**

Before each use, visually inspect the LokHead winch for signs of wear, damage or failure. If such signs are present, do not use the device. If the worn or defective parts are not immediately replaced, the manufacturer will assume no responsibility for resulting damage or accidents.

**WARNING!**

Before each use inspect winch and self-tailing jaws for degradation, cracks, or wear that may affect locking strength and operation. Check lifting rope to make sure that it is free from wear. If in doubt, replace with a suitably strong rope.

**WARNING!**

Before each use check winch base securely fastened to plate. Failure to use correct number and length of mounting fasteners and/or failure to tighten them correctly can result in winch pulling off suddenly and unexpectedly during high loads which may cause load to drop, possibly resulting in severe injury or death.

**WARNING!**

Before each use check the winch drum cannot be turned by hand counter-clockwise.

LIFTING LOAD

**WARNING!**

Keep fingers, loose clothing, hair etc away from winch. Area around winch handle should be kept clear of people and objects at all times.



1. Feed the rope through the pigtail. Start at base and wind rope onto drum in a clockwise direction.



2. Ensure that the rope does not override (overlap) on winch.

**WARNING!**

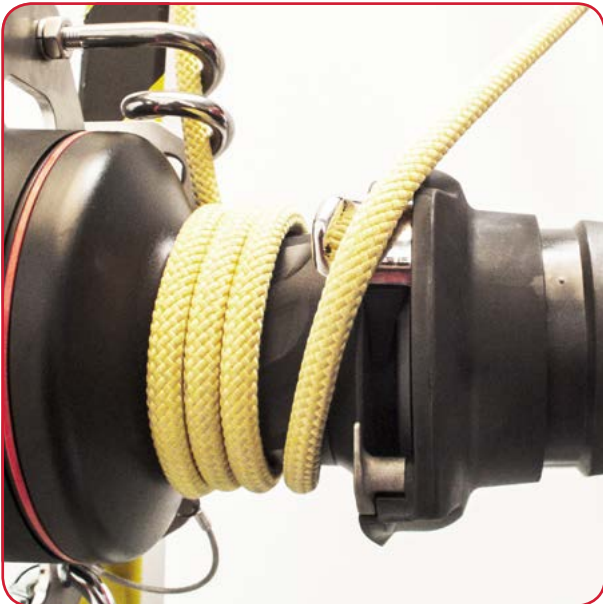
Take at least two turns of the rope around the winch drum, and if it slips under load increase the number of turns to a maximum of four, taking care not to overlap the rope.

**NOTE!**

The number of turns needed round the winch drum depends on the load and the condition of the rope. Check the device's descending capacity in its working configuration. In case of difficulties unwind the rope, and reduce the turns to not less than 2 wraps, until you have the optimal configuration.

**WARNING!**

Never allow rope to (override) overlap on winch drum. This can cause rope to jam and can prevent load from being lifted/lowered. Tension on rope to load must be relieved to clear override (overlap). This procedure carries a risk of serious injury or death if load drops or becomes uncontrollable.



3. Pull rope through to take up any slack, then pass the rope on the stripper arm by winding rope clock-wise and pulling tight to engage.



4. Fit the rope into the rope grab. Raise the cover to make this easier. Position the rope inside the stopper.



CORRECT



INCORRECT

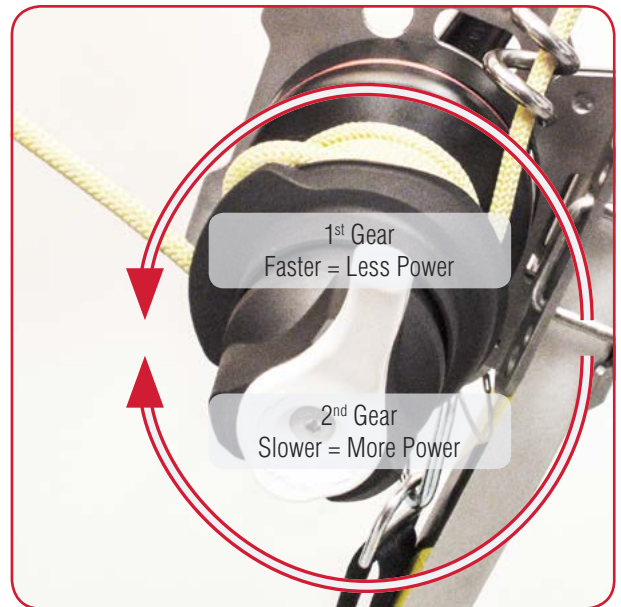


WARNING!

Ensure correct placement of the rope on the stripper arm and into the spring loaded selftailing jaws.



5. Begin turning handle counterclock-wise. Gears engage automatically depending on direction handle is rotated. 1st gear: rotate handle counterclock-wise. 2nd gear: rotate handle clock-wise.



6. When the handle becomes difficult to rotate in 1st gear, reverse the direction to engage 2nd. A higher power ratio makes a heavier load easier to lift with the same effort.



NOTE!

The maximum input speed of the LokHead Winch is 60 rpm.

LOWERING LOAD

To lower the load with one hand grasp the rope.

With the other hand, turn the knob clockwise to allow the rope to slip on the winch drum and permit a controlled descent. To adjust descent speed, manually control the speed at which the rope leaves the winch by holding rope with arm out and bringing it in towards the winch drum.

To stop the descent, release the knob.



WARNING!

To lower the load, in case of difficulties, unwind the rope, and reduce the turns to not less than 2 wraps, until you have the optimal configuration. Do not take rope turns off winch drum until rope is completely unloaded.

MAINTENANCE



NOTE!

A formal inspection of the winch must be performed at least annually by trained personell. The inspection should be recorded in an inspection and maintenance log.

Wash

Wash winch frequently with fresh water.

Do not allow cleaning products or other caustic solutions to come into contact with winch, especially anodized, chrome-plated, or plastic parts. Do not use solvents, polishes, or abrasive pastes on logos or winch stickers.

Maintenance Schedule

Winch must be completely overhauled, cleaned, and lubricated at least every 12 months. Harsh environment and/or heavy use may require more frequent maintenance.

After inspection, replace worn or damaged components with genuine Harken parts.



NOTE!

Do not replace or modify winch with a part that was not designed for it.

**WARNING!**

Periodic maintenance must be carried out regularly. Lack of adequate maintenance shortens the life of the winch, can cause serious injury and also invalidate the winch warranty. Installation and maintenance of winches must be carried out exclusively by trained personnel.

Spare Parts

Spare parts can be ordered from Harken® as described in the Harken® Worldwide Limited Warranty using the part number in the Parts List and the serial number of the winch, which is printed on the product sticker on the winch skirt.

HANDLING

Protect against extreme temperatures: less than -20°C or more than $+50^{\circ}\text{C}$

Extreme heat may distort composite parts.

Extreme cold can cause the material to become brittle and cause the lubrication to congeal.

STORAGE

Store in clean/dry place

Avoid impact which could damage jaws and skirt; ensure good packaging when shipping.

MAINTENANCE SCHEDULE

Owner name

Product name and Model

Serial Number

Year of manufacture

Date of purchase

Date of first use

Maintenance interval

Annual

HARKEN®

Manufacturer/EU Representative

Harken Italy S.p.A.

Via Marco Biagi 14, 22070 Limido Comasco (CO), Italy

Tel 031.3523511; Fax 031.3520031

Web: www.harken.it

Email: info@harken.it

Worldwide Limited Warranty

Refer to the Harken World Limited Warranty on the website at:

<http://www.harkenindustrial.com/>

The product warranty is accepted only if it has been maintained as specified in this Manual by Harken authorized personnel and is accompanied by Maintenance Schedule properly compiled