

User manual Sirppi Pole Climbing Shoes ST155.8, ST155.11, ST155.14

GENERAL

The user of pole climbing shoes must have adequate professional skills. The shoes are to be used according to these instructions. Negligence to follow these instructions may cause life danger or damage to property.

Pole climbing shoes must be handled carefully and used only for the work they are designed to do. They are to be checked daily for changes or cracks in the structure, and also to see that spikes and straps are in proper shape.

Furthermore, the base plate and gripping bars must be cleaned as well. If any deficiencies are found, the pole climbing shoes must be taken out from use immediately.

USER INSTRUCTIONS:

Pole climbing shoes are firmly put on the users shoes. Before climbing the pole, pole climbing shoes reliability and gripping ability should be tested by rocking gently on the first step.

When working on a pole while climbing, personal fall arrest system must be used.

SPECIFICATIONS:

- Designed for climbing wooden poles.
- Usage surroundings: inside, outside and during rain.
- Temperature class: -35° C...+55° C
- Markings: shoe size in inches, type, manufacturer, the last two digits of manufacturing year, item number and serial number.

USAGE AND MAINTENANCE:

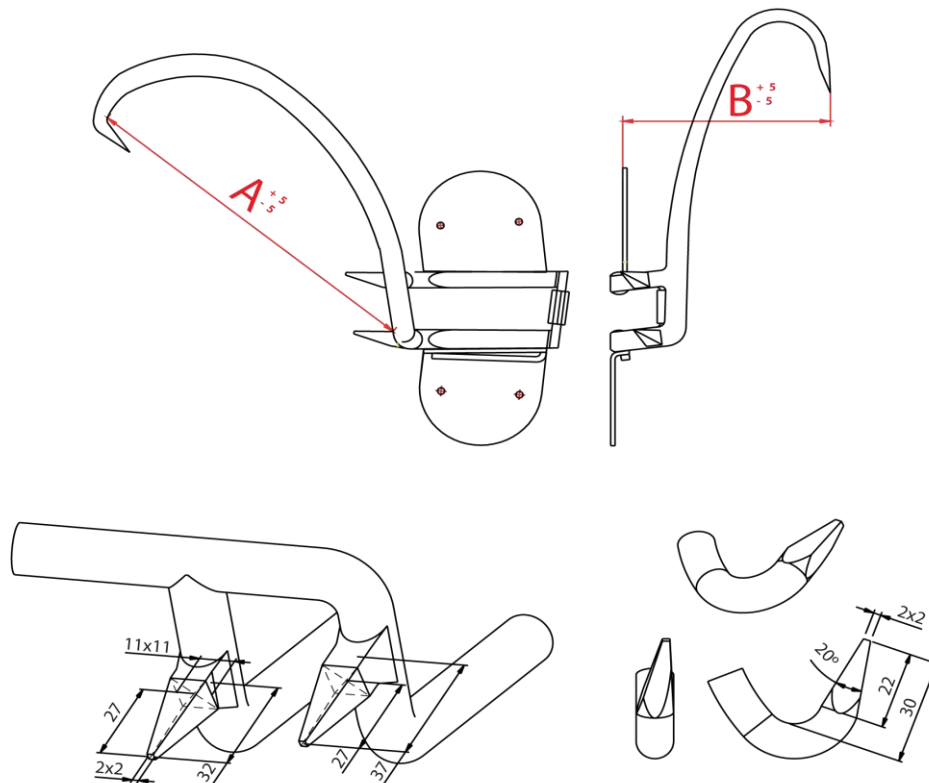
- Pole climbing shoes must always be checked before use.
- An authorized person chosen by the employer must check the pole climbing shoes once a calendar year and only that person is allowed to overhaul straps and pole climbing shoes.
- Cleaning, searching for changes and fine cracks and seeing that spikes and straps are in good shape must be done in the check-up, as well as, examining suspensions.
- Damaged straps must be replaced by an original replacement pair of straps.
- When sharpening spikes, the material can not be heated.
- Pole climbing shoes can not be welded or heat watered.
- There must not be any great changes or fine cracks in the pole climbing shoes. If they are very worn-out, they must be made unusable, for example, by breaking the supporting arms. This is also to be done to pole climbing shoes over ten years old.
- No alterations or modifications to the pole climbing shoes structure is allowed.

LEGAL NOTICE

Hewall Safety Sweden AB and manufacturer accepts no liability concerning claims resulting from misuse, incorrect installation or ignored national safety regulations or other national provisions.

POLE CLIMBING IRONS ST155.8, ST155.11 and ST155.14

Type	(color)	Max. pole diameter " (inches)	A	B	Weight kg
ST155.8	(blue)	8"	295 ±5	155 ±5	2.4
ST155.11	(blue)	11"	315 ±5	175 ±5	2.6
ST155.14	(blue)	14"	375 ±5	190 ±5	2.9



Front and rear spikes are pyramid shaped:

- Measure of pyramids base is 11 x 11 mm
- Tip of the pyramid is 2 x 2 mm
- Height of the pyramid is 27 mm

Total height measured from tip of the pyramid along the centerline to the surface of the round bar:

- Front spike total height is 32 mm
- Rear spike total height is 37 mm

Any of the three spikes shown in the picture can not be sharpened to a pointed tip. Tip of the spikes must have a 2 x 2 mm flat surface. When sharpening spikes, the spikes should not shorten more than 5 mm from the original heights shown in the picture.

FACTORY INSPECTION:

Measures	Weldings	Material	Inspection information
<input type="checkbox"/> OK	<input type="checkbox"/> OK	<input type="checkbox"/> OK	Inspection date: Inspector name:

INSPECTION OF USE:**POLE CLIMBING IRONS**

Manufacturing year:

Manufacturing number:

Date of taken into service:

Seller:

User name:

INSPECTION DATE	OBSERVATIONS	INSPECTOR