

User manual

Egolett Pole Climbing Shoes
Product no CT2



INSPECTION AND CONTROL OF POLE SHOES

DAILY INSPECTION

The user of the pole shoes is responsible for the daily inspection.

The shoes must be cleaned and checked for:

- Cracks
- Deformations
- Worn or loose studs
- Wear on the belt and attachments

The shoes should be checked with gentle swinging before climbing. If any irregularity is felt, (cracks, deformities, etc.) the shoes must not be used.

Pole shoes which have received unusual treatment, for example have been driven over, or have fallen from the mast should be given extra check.

ANNUAL INSPECTION

The annual control should be performed by a qualified inspector with a thorough knowledge of use and care of pole shoes. The shoes should be thoroughly cleaned before inspection.

REASONS FOR FAILURE

- Deforming
- Signs of cracking
- Worn studs
- Worn belt attachments
- Shoes used regularly for 10 years (can be increased to 15 years with occasional use)

NOTE

Pole shoes must never be heat treated, repaired by welding or brazing.
Pole shoes which are scraped must be destroyed by cutting the large grip arm.
Magnaflux equipment cannot be used to inspect aluminium shoes.

If required (optional) crack testing of aluminium shoes, can be done with:

- Eddy current
- Dye penetrate + developer

Magnaflux equipment is only for inspection of steel shoes.

PEM1418ENG 2017-05

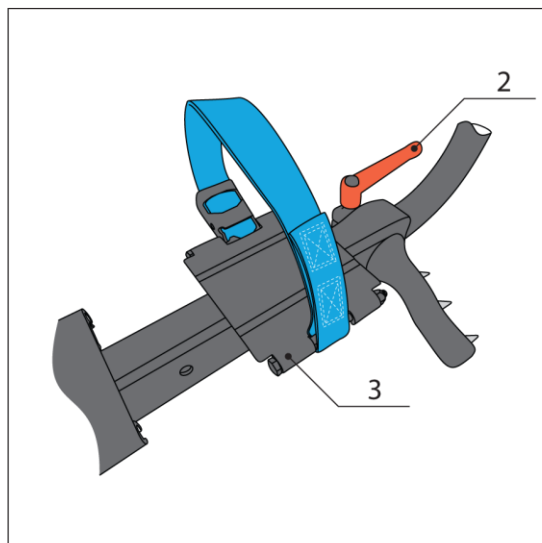
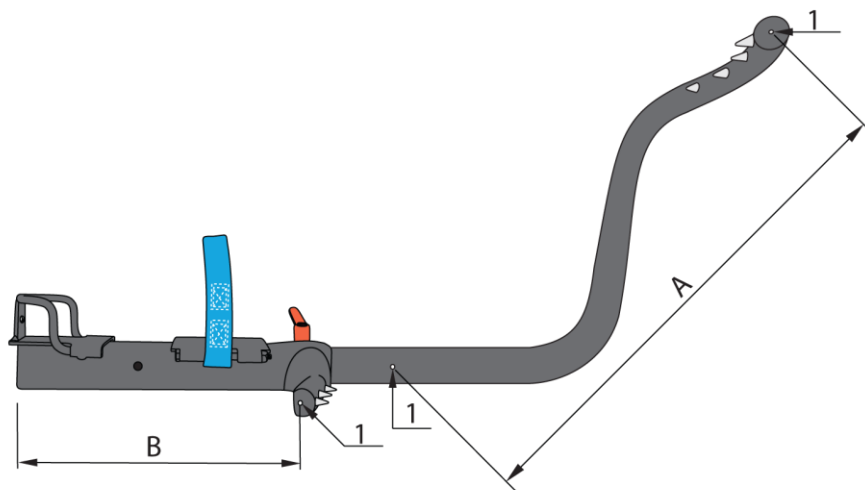
CT2

3/4

CONTROL DEFORMATION

Unscrew the lock and pull the large grip arm completely out. The punch mark (1) on the large grip arm is now visible. Dimensions between the punch marks (1) must be within those given on the table:

El.no.		A - measures mm		B - measures mm
		Left shoe	Right shoe	
88 532 61	6" - 10"	435 - 445	465 - 475	302 - 308
88 532 67	8" - 12"	435 - 445	465 - 475	302 - 308
88 532 68	12" - 16"	515 - 525	555 - 565	302 - 308



Locking handle (orange) (2)

The locking handle **(2)** is operated by lifting and turning. Used to adjust the pole. The locking handle positions as shown in the drawing after necessary tightening. The locking handle threads should be oiled twice a year.

Replacing the foot strap

Remaining bolts **(3)** should be replaced with new bolts. The belts quick release is installed on the opposite side of the grip arm. Locking nuts should not be over tightened (the screw should go 1 - 2 mm through the nut).