



MARK Robin Hub Instructions for use

Descender, rescue and lifting device
ANSI Z359.4:2013 (1 Person), EN 341:2011 – 1A, EN 1496:2017 – B
EN 12841 Type C



Translation / German into English
Keep for future use
Version 1.4

MARK Save A Life GmbH
Gleinkerau 23
4582 Spital am Pyhrn
Österreich / Europa
Tel +43 7563 8002 - 111
Fax +43 7563 8041 - 111
mark@savealife.at
www.savealife.at

Dear customer,

Congratulations on purchasing this product. It was manufactured and tested subject to strict quality standards and with the utmost care. We thus laid the groundwork for safe use. It is now your responsibility to use this product correctly.



For correct and safe use of this product it is essential that you read these instructions carefully. Follow all safety instructions in the respective chapters of this manual.

You may only use this product if you have read and understood these instructions for use, if you have undergone training and if you are physically and mentally capable of doing so.

This manual including the inspection protocol must be kept with the product. In case of loss or if manual and inspection protocol became unusable, the effective versions of both documents are available for download at www.savealife.at

You can download the instructions for use and the test protocol via www.savealife.at.

Do you have any questions or wishes concerning this product or do you want to give us feedback? Just call us or send an email.

Customer service

MARK Save A Life GmbH
Gleinkerau 23
4582 Spital am Pyhrn
Austria / Europe
Tel +43 7563 8002 – 111
Fax +43 7563 8041 – 111
mark@savealife.at
www.savealife.at

Manufacturer

MARK Save A Life GmbH, Gleinkerau 23, 4582 Spital am Pyhrn, Austria / Europe

Country of origin

Austria / Europe

Copyright

MARK Save A Life GmbH, Gleinkerau 23, 4582 Spital am Pyhrn, Austria / Europe

TERMINOLOGY

COMPETENT PERSON	trained according to DGUV 312-906 or with appropriate regional training
AUTHORIZED PARTNER	trained by MARK Save A Life. The authorized partner is authorized to perform inspections and maintenance of the product.
RESCUE / DESCENDER DEVICE	MARK Robin Hub incl. rope
ANCHOR DEVICE	MARK Gekko, MARK Boa or another anchor devices corresponding to the applicable standards for PPE against falls from a height.



NOTE In order to make our texts easier to read, we dispense with gender differentiation and write main personal words in the male form. This is meant as a neutral wording by which we address all people equally without any discrimination. The shown pictures are examples and symbol photos. The actual devices may vary a little because of options (connectors, hand-wheel,..).

1 FOR YOUR OWN SAFETY	5
1.1 Symbols used	5
1.2 User requirements	6
1.3 Visual and functional inspection	6
1.4 Use	6
1.5 Storage and transport	7
1.6 Maintenance	7
1.7 Accidents and rescue plan	7
2 PRODUCT OVERVIEW	8
2.1 Technical details	8
2.2 Marking	9
2.3 Scope of delivery	10
2.4 Accessories	10
2.5 Maximum descent distance recommended by the manufacturer	10
2.6 Redundancy	11
2.7 Rescue deployment	11
2.8 Overload	11
2.9 Temperature	11
3 USE	12
3.1 Intended use	12
3.2 Important notes on the usage of the eyebolts	13
3.3 Abseiling with MARK Robin Hub Descent Stop Button	14
3.4 Abseiling with MARK Robin Hub with rope clamp	19
3.5 No move during lifting	20
3.6 Applications under EN 12841	21
3.7 Anchor device	31
3.8 Training	31
3.9 MARK Infini Box	32
3.10 Lifetime and period of use	33
4 TRANSPORT AND STORAGE	34
5 MAINTENANCE	34
5.1 Repairs	34
5.2 Cleaning	34
5.3 Disinfection	35
6 INSPECTION	35
6.1 Functional inspection	35
6.2 Regular inspections	35
6.3 Inspection and maintenance	36
7 RETIREMENT	37
8 RESALE	37
9 ACCIDENTS	38

9.1 Suspension trauma	38
10 LEGAL INFORMATION	39
10.1 Declaration of conformity	39
10.2 Product liability	39
10.3 Copyright	39
10.4 Trademarks	39
11 DECLARATION OF CONFORMITY	40
12 TEST PROTOCOL	41
13 USAGE OVERVIEW	43

1 FOR YOUR OWN SAFETY

Activities requiring the use of this product can be dangerous. Moreover, it is also possible to use this product incorrectly in many ways and we cannot possibly list or think of all of them.

These instructions for use will give you information on your safety and the product and its use. This information and the safety instructions do not however replace personal experience, knowledge of the product and self-responsibility.

You will find detailed safety regulations and descriptions in the following chapter and at the beginning of each chapter. Read them carefully and make sure you understand them. If you need more information or if you are not sure how to use this product, get in touch with MARK Save A Life. We will be happy to help you.

This product is state of the art and corresponds to all applicable technical standards and guidelines.

1.1 Symbols used

In this document safety regulations of the following categories are being used: **DANGER**, **WARNING**, **CAUTION** and **NOTE**. Follow the safety instructions to avoid personal injuries or damage of the product.



DANGER

DANGER means that death or a serious injury are very likely to happen if an accident occurs or a hazardous situation is not avoided.

- In order to avoid serious injury or death all safety instructions marked with **DANGER** must be followed.



WARNING

WARNING means that death or a serious injury are likely to happen if an accident occurs or a hazardous situation is not avoided.

- In order to avoid serious injury or death all safety instructions marked with **WARNING** must be followed.



CAUTION

CAUTION means that moderate or minor injuries may happen if an accident occurs or a hazardous situation is not avoided.

- In order to avoid moderate or minor injuries all safety instructions marked with **CAUTION** must be followed.



NOTE

NOTE draws your attention to a possible damage of the product or other properties if an accident occurs or a hazardous situation is not avoided.

- In order to avoid damage of the product or other properties all safety instructions marked with **NOTE** must be followed.

1.2 User requirements

- Read these instructions for use thoroughly before using this product. You may only use this product after you have read and understood these instructions for use.
- This product may only be used as a descender and rescue device or for work positioning according to EN 12841-C for persons.
- This product may only be used by max. two persons at a time.
- You may only use this product if you are mentally and physically capable of doing so.
- PPE equipment is ment as personal equipment for every user.

1.3 Visual and functional inspection

- The annual visual and functional inspection must be carried out by MARK Save A Life or an authorized partner. MARK Save A Life offers trainings for that purpose.
- This product must be inspected (e.g. damage of the rope etc.) before and after its use by the user.
- If the product has been subjected to heavy loads (e.g. due to a fall) , it must be sent to MARK Save A Life for inspection. Don't forget to give us all necessary information (where and how this product has been damaged).
- If the use of this product does not seem safe anymore (e.g. rope damaged etc.), send it to MARK Save A Life or an authorized partner for inspection and repair. Do not use it!
- Fill in the inspection protocol carefully. Each inspection must be entered.

1.4 Use

- The lifetime of metal parts of this product is unlimited. Textile components (e.g. ropes and lanyards) must be replaced after, maximum, 10 years after production.
- This product will heat up during the descent. Touching the housing or holding the long rope end during descent may lead to burns.
- If sharp edges (radius < 3mm) cannot be avoided, always use a protecting shield to protect the rope from damage or breaking.
- Always fix this product to an anchor device according to EN 795 before descending.
- Do not guide the loaded rope end through the eye bolts. This would stop the descent.
- This product may only be used in combination with tested and certified products (according to applicable standards for PPE against falls from a height).
- You may only resell this product when accompanied by the instructions for use in the respective language of the country and the complete inspection protocol.
- The use protocol must be filled in after each use.
- Descending and rescue devices, which are stored at the working side, have to be covered against environmental influences.

1.5 Storage and transport

- Store this product in a dry and clean place protected from mechanical (e.g. sharp edges) and chemical hazards (e.g. acids, gas) at room temperature and protected from light (e.g. UV).
- Store and transport this product in the original or an equivalent packaging. Store the rope loosely in figure of eight loops to avoid knots, which may result in blocking the device.

1.6 Maintenance

- Repairs may only be effected by MARK Save A Life or an authorized partner.
- If this product has been subjet to a fall, all parts must be inspected and, if necessary, be replaced by MARK Save A Life.
- This product must not be tumble-dried, dried in the sun or over a heat source (e.g. radiator) -> Air-dry this product in an airy, shaded place.
- This product (the rope in particular) must not be disinfected or impregnated.
- Do not use chemicals when cleaning the product.
- This product must be inspected by MARK Save A Life or an authorized partner at least once a year but in any case after maximum descent distance written on page 10. Enter the distance in the use protocol.

1.7 Accidents and rescue plan

- A suspension trauma can be triggered by falling into the rope, a long descent or if a person is helplessly suspended in the harness for a long time.
- Prepare a rescue plan indicating all possible rescue measures in case of emergency before using this product.
- Check the use and fall area and make sure to secure, mitigate or remove possible dangers before using this product.

2 PRODUCT OVERVIEW



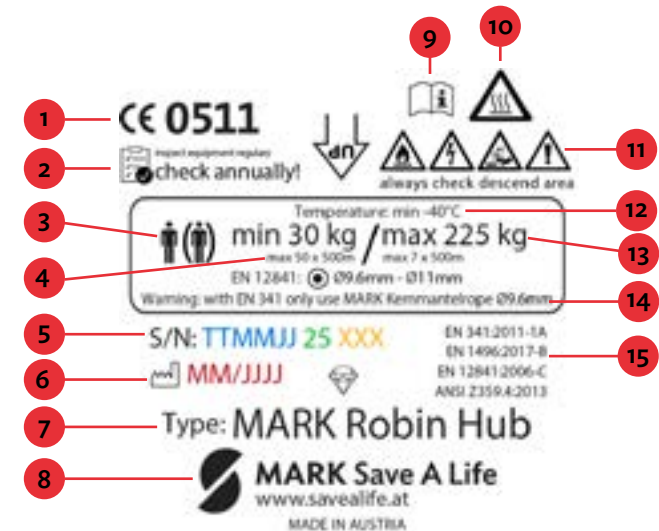
2.1 Technical details

- Certified according to EN 341:2011 class 1A (2 persons), EN 1496:2017 class B (2 persons), ANSI Z359.4:2013 (1 person), EN 12841:2006 Typ C (1 person)
- Weight (without rope): 3,8kg (MARK Robin Hub with Descent Stop Button)
- Rope for EN 341, EN 1496 und ANSI Z359.4:2013: MARK Kernmantelrope Ø9,6mm and Ø10,5mm (EN 1891 A)
- Rope for EN 12841: rope with Ø9,6mm till Ø11mm (EN 1891 A)
- Descent / lifting load max. 225kg/min. 30kg (EN: 2 persons / ANSI: 1 person)
- Descent / lifting height max. 500 m
- Descent speed approx. 1,0 m/s with 85kg and approx. 1,5 m/s with 170kg
- Motorized lifting possible with a cordless screwdriver
- Descent controllable by means of a rope deflection using the eye bolts
- Ambient temperature -40°C to +65°C
- The device can be used in both directions for descending and abseiling

2.2 Marking

This product has a serial number engraved in the housing. You will also find the serial on the first page of these instructions for use.

- 1 CE marking of the supervisory authority
- 2 Perform an inspection regularly / at least once a year
- 3 Max. Number of people with simultaneous use
- 4 Max. Descent height acc. standard (multiple use)
- 5 Serialnumber
- 6 Production year and months
- 7 Product name
- 8 Manufacturer
- 9 Always read and follow the instructions for use!
- 10 Warning: hot surface
- 11 Avoid descending into electrical, thermal, chemical or other hazardous areas
- 12 Application temperature range
- 13 Max. and min. rated load
- 14 Compatible rope sizes and types
- 15 Harmonized standards



Rope marking

EN standard
Diameter and length of rope

EN1891A:1998 - 9,6mm - L: 10m
MM/JJ: 11/20 - MARK Save A Life

Date of production,
Manufacturer

Symbol photo

- Use an inventory number for this product. Enter the inventory number in the inspection protocol.
- Do not remove labels or other markings from this product.

2.3 Scope of delivery

- 1 pc MARK Robin Hub
- 1 pc rope inserted in the housing (length acc. to order)
- 1 pc packaging
- 1 pc instructions for use incl. inspection and use protocol

2.4 Accessories

This product may only be used in combination with tested and certified products.

- Only use this product with tested products or with products that have been recommended by MARK Save A Life. The following products correspond to the applicable PPE against falls from a height standards.

Tested and certified products

Rescue overall/harness	EN 1497
Energy absorber	EN 355
Carabiner	EN 362
Anchor device	EN 795
Full body harness	EN 361
Lanyards	EN 354
Workpositioning	EN 358

The above products are featured on www.savealife.at. If you need more information please send us an email or call us.

2.5 Maximum descent distance recommended by the manufacturer

- max. descent distance with 1 person up to a max. of 75 kg: 10000m
- max. descent distance with 1 person up to a max. of 100 kg: 7500 m
- max. descent distance with 1 or 2 persons up to a max. of 150 kg: 5000 m
- max. descent distance with 2 persons up to a max. of 225 kg: 3500 m (

You can reduce the load on the device through redirection (see 3.2).



WARNING

2.6 Redundancy

A training is not an emergency! At every training situations as well as rope access a redundant safety system has to be installed. Unforeseen events, technical or human failure cannot be ruled out. For redundancy safety measures you can also use a second MARK Robin Hub.

2.7 Rescue deployment

After each rescue deployment the device has to be inspected by MARK Save A Life or an authorized partner in order to ensure safe use. We recommend using different devices for training and rescue deployments.

2.8 Overload

Devices that have been subjected to a fall or a heavy load must be retired.

Rope clamp: When you activate the rope clamp, the hand wheel can only be turned in one direction. Turn the hand wheel gently to figure out the direction in which you can turn the wheel.

Danger: If you turn the hand wheel in the wrong (blocked) direction, the wheel or the device can be damaged. In that case, the device has to be inspected by MARK Save A Life or by an authorized partner.

2.9 Temperature

This product can be used in environments between -40°C and $+65^{\circ}\text{C}$.



WARNING

3 USE

Activities requiring the use of this product can be dangerous. Please observe all danger and safety notes. In case of doubt or if you have any questions, please feel free to contact us.

3.1 Intended use

This product may only be used as a rescue, descender and lifting device and only for transporting persons.

- This product may only be used for its intended purposes as defined in these instructions for use and only in combination with tested (certified) components according to the applicable PPE standards. Other combinations with uncertified components are not permitted and can be dangerous.

Use

Using this product without having read these instructions for use can lead to accidents resulting in severe injuries or death.

- Read these instructions for use carefully before using this product.
- In case of doubt or if you have questions please contact MARK Save A Life.
- Let the device cool down to room temperature after driving 1,000,000 J .

Inspection

Using this product without having performed a visual and functional inspection can lead to accidents resulting in severe injuries or death.

- Always inspect this product before and after its use.
- If you are not sure if this product can be used safely, do not use it.

Edge protection

If the rope is guided over a sharp edge, it can be damaged.

- Always use an edge protection (e.g. a protective plate) or a protective shield with sharp edges..

Risk of burns

This product (housing and rope) will heat up during the descent. Risk of burns during longer descents.

- Do not touch the housing during or after long descents.
- Do not hold on to the long rope end during descent.
- Wear protective gloves.

This product offers you a range of applications for various situations. Using this product requires solid training by professionals who have been trained on this product.

3.2 Important notes on the usage of the eye bolts



Eye bolt

Shorter rope end, has to be tightened (no loose rope)

Longer rope end, runs through the eye bolt

Using the eye bolts, you can control the descent speed or stop the descent. The longer, unloaded rope end runs through the eye bolts. If you hold on to the longer rope end, you can throttle the descent speed or stop the descent. If you don't use the eye bolts, the descent speed will be regulated automatically by two fly wheel brakes (speed ca. 0.8m/sec)

If you are using the descender as a shuttle system, make sure that you use the eye bolts correctly.

Standard rule: Only run the unloaded, longer rope end through the eye bolts!

Longer and shorter rope end

If you run the shorter rope end through the eye bolt (shorter rope end = loaded rope end, on which a person is suspended) the descent will be blocked and the person cannot be lowered to the ground.

- Only run the longer, unloaded rope end through the eye bolts!



DANGER



CAUTION



CAUTION



short rope end
avoid slack rope

long rope end

CORRECT

3.3 Abseiling with MARK Robin Hub Descent Stop Button (as option)



Backside with
Descent Stop Button



short rope end ——— long rope end



Lever position 2



Lever position 3

NOTE

The Descent Stop Button mechanism works as a backstop. Different variations of usage require different settings of the lever. In the following chapters you can find the variations.



WARNING

The shift to position 2 requires no load on the pawl mechanism. Therefore lift the load slightly using the hand-wheel.

NOTE

Abseiling: Lever is pointing to the loaded rope end
Lifting: Lever is pointing to the unloaded rope end



Lever position 1

3.3.1 Simple abseiling passive / MARK Robin Hub with Descent Stop Button (as option)



1
Attach the rescue device to a proper anchor point.



2
The first person connects the carabiner of the short rope end to the correct ring(s) of the harness. Tighten the system by pulling on the other rope end. Now you are ready for abseiling (lever in position 1). By using the eye bolts you can reduce the speed manually.

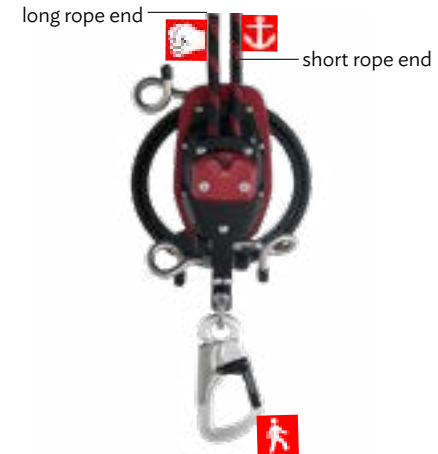


3
When the first person is on the ground, the second person can connect it's harness to the rope end closest to the device. Tighten the system using the other end, switch lever to position 3 and start abseiling. If more persons must be rescued proceed with step 2.



4
To hold the device at its position the lever has to be shifted to position 2. Therefore the descent must be stopped manually.

3.3.2 Simple abseiling activ / MARK Robin Hub with Descent Stop Button (as option)



WARNING

The shift to position 2 (STOP) of the lever must be done with no load on the Descent Stop Button. Therefore take the load of the Descent Stop Button mechanism using the hand wheel.



NOTE

Abseiling: Lever is pointing to the loaded rope end
Lifting: Lever is pointing to the unloaded rope end



DANGER

The Lever must never be shifted with load or during abseiling. If the device has been operated against the Descent Stop Button do not use it anymore. For inspection it has to be sent to MARK Save A Life or an authorized partner.



1
Attach the short rope end to a proper anchor point.



2
Connect the rescue device to the correct ring(s) of the harness.



3
The speed can be reduced by using the eye bolts. Now you can descend.



4
To hold the device at its position the lever has to be shifted to position 2. Therefore the descent must be stopped manually.

3.4 Abseiling with MARK Robin Hub with rope clamp

3.4.1 Simple Abseiling passive



Backside with rope clamp



1
Attach the rescue device to a proper anchor point.



2
In both ways: using the eye bolt located on the side of the unloaded rope end will add friction when you hold back the unloaded rope end. This way you can reduce speed manually.

Use of the rope clamp



1
In both ways: you can block the device after stopping by running the rope out of the device making a U-turn to the eye bolt and back through the rope clamp as shown (grab the handwheel while doing this).

3.4.2 Simple Abseiling active /MARK Robin Hub with rope clamp



1 For ergonomic rope handling and to create additional friction use the third eye bolt. This way the rope runs from bottom to top.



2 You can block the device after stopping by running the rope out of the device making a U-turn to the eye bolt and back through the rope clamp as shown (grab the handwheel while doing this).

3.5 No move during lifting

If it happen that you no longer move during the lifting (caused by dirt, moisture, wear... on the rope) you only need to pull on the opposite rope. Afterwards the lifting process can continue smoothly.



3.6 Application under EN 12841

The following work steps on the device may only be carried out if the device is used in accordance with EN 12841!

3.6.1 MARK Flame N'Go - INSERT THE ROPE



Notwendiges Werkzeug:



Schlitzschraubendreher

Method:

1



3



2



4

If you feel a counter-pressure when turning, the rope must be removed from the unit and re-threaded into the device.
Repeat this process until the rope can be seen at the other end. You can now proceed as described in point 5.



5



3.6.2 MARK Flame N'Go - CHANGE THE ROPE GUIDE



6



Necessary components: Set 14, Item number 86512



oder



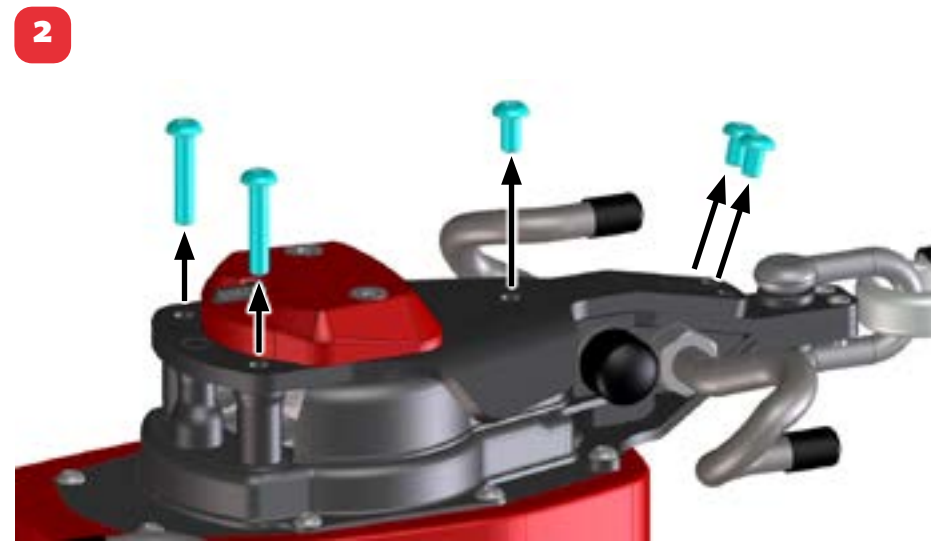
2 x

for rope Ø9,6-10,5mm

2 x

for rope Ø10,5-11mm

Method:



5



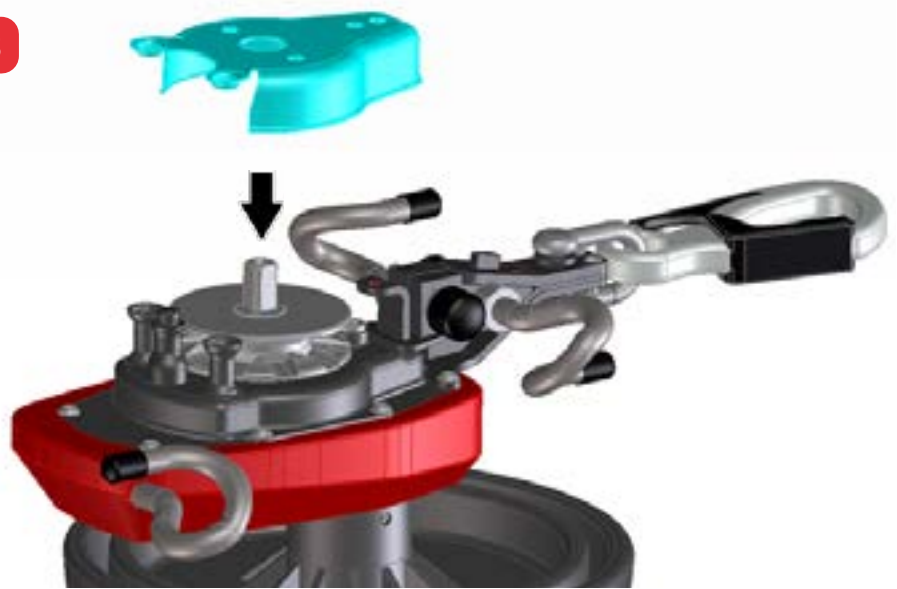
7

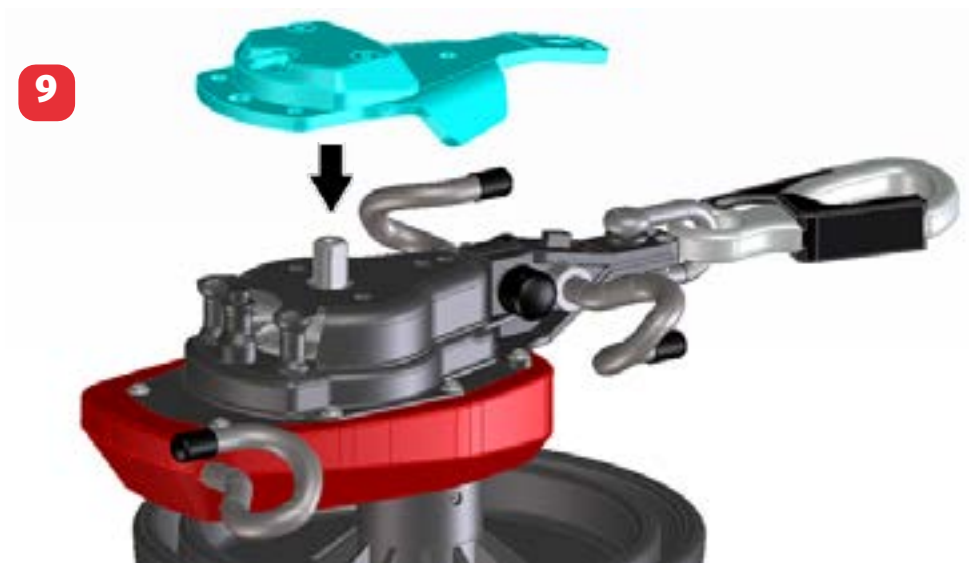


6



8





3.7 Anchor device

Attachment on anchor device

Improper attachment on an anchor device may lead to falls resulting in severe injuries or death.

- Inspect the anchor at least once a year.
- Only use anchors that correspond the requirements of PPE.

Anchor devices are necessary in places that present falling hazards (acc. to §72 AAV). The building planner/owner is responsible for the positioning and installation of anchor devices according to the applicable legal requirements, norm and rules.

Buildings and plant structures have to present appropriate load capacities. According to the applicable standards the following (static) loads are installed in the building.

- Restraint systems 4 kN
- Fall protection systems 12 kN

On www.savealife.at you will find the following documents available for download:

- instructions for use for MARK Gekko and MARK Boa
- checklist for installation and regular inspection
- checklist inspection protocols
- installation protocol and sub-structure checklist



3.8 Training

The customer and user must take care that he has understood the functionality of this product and all safety notes and knows how to safely use this product. He must complete a training on correct use, installation, inspection, maintenance and use limitations before using this product. He should repeat the training regularly without endangering trainees or users.

Training inspection requirements for this product must be followed (see inspection and maintenance).

Trainings are an important part of MARK Save A Life products and services. No protective equipment will save you from injury or death if you do not know how to use it properly.

In order to ensure your safety, we offer trainings where you can learn how to safely operate this product.

For further information please contact us at +43 7563 8002 111.

3.9 MARK Infini Box

If used as an emergency equipment, this product (= sealed in MARK Infini Box) has a lifetime of 10 years. After a max. of 10 years textile parts must be replaced and metal parts must be inspected by MARK Save A Life. The MARK Infini Box has to be inspected at least once a year but in any case before each use (damage, humidity etc.) from a competent person. If this box is damaged, it must be sent to MARK Save A Life for inspection.



3.10 Lifetime and period of use

Conditions of use and other factors may influence its useful life. You may therefore even have to repair or retire this product earlier (see below).

The shorter the descent height, the more often the rope will run through the descender device until the device has to be inspected. Short descent heights will therefore wear off the rope. Wear-off is also induced by other factors such as maintenance, sharp edges, chemical and mechanical influences etc. After max. 100 descents the rope has to be changed. Abrasion and usage have to be regularly checked. If the rope does not seem safe anymore, send the device to MARK Save A Life or a authorized person to check and replace the rope.

Information on work according to EN 341:2011 -1A (30kg-225kg)

- work capacity: 7 500 000 Joule

$$\text{work } W = m \times g \times h \times n$$

W = work in Joule (J)

m = load capacity (weight of the person) (kg)

g = gravity 9.81 m/s²

h = descent height in meter (m)

n = number of descents

Possible influencing factors

- extreme use conditions
- mechanical and chemical damage
- environmental factors
- inappropriate storage and transport

Recommended max. lifting distance

During lifting, descender device and rope are under more stress than during descending. Frequent use of the lifting function may lead to slip. Normally, this is not dangerous and you can descend safely to the ground. The maximum lifting distance should however not be more than 4 times the rope length. Make sure to check rope abrasion accordingly.

4 TRANSPORT AND STORAGE

Observe these safety notes to ensure safe storage and transport of this product.



NOTE

- Always make sure that there is no liquid in the metal housing (otherwise dry the device and the rope before using it).
- Always store this product in a dry, proper place and keep it away from mechanical (e.g. sharp edges) or chemical (e.g. acids, gases) hazards, store it at room temperature and protected from light (UV radiation).
- When drying this product, always put it with the brake drums upwards to avoid humidity in the housing.
- Store and transport this product in its original (or an equivalent) packaging.
- Check the packaging regularly (holes etc.); especially, if the product is used as an emergency equipment (= sealed in special packaging).

5 MAINTENANCE

5.1 Repairs

Product changes

Repairs, adjustments or changes to this product that have not been authorized by MARK Save A Life can lead to severe accidents and falls.

- Changes (e.g. change of the rope length) and repairs have to be performed by MARK Save A Life.

If you are not sure if this product can be used any more, do not use it but send it to MARK Save A Life or an authorized partner for inspection.

5.2 Cleaning

- Clean the metal parts with a wet towel.
- Never tumble-dry, never let it dry in the sun or over a heat source.
- Air-dry this product in an airy, shaded place.
- Rinse the rope with warm water and wipe it with a dry towel afterwards.
- Never disinfect the rope.
- Never use chemical detergents.

5.3 Disinfection

Disinfection of this product is prohibited. In case of contamination, retire this product environmentally-friendly.

6 INSPECTION



DANGER

Inspection

Using this product without checking it for possible damage can lead to severe accidents or death.

- Always perform a visual and functional inspection of this product before and after each use.
- If you are not sure if this product can be used safely any more, do not use it.

Inspection by MARK Save A Life or an authorized partner is only valid under the proviso that

- this product has not been subjected to a fall,
- components of this product have not been modified,
- textile parts have not been contaminated with chemicals,
- this product has not been exposed to temperatures under -40°C or over $+65^{\circ}\text{C}$,
- metal parts have not fallen to the ground from more than 2m.

6.1 Functional inspection

- Check if metal parts (carabiner, housing) are damaged.
- Check if nuts and bolts are fixed.
- Check if the rope has cracks or other visual or palpable damage.
- Check if the rope runs smoothly. Pull both rope ends slowly one after the other. If you feel slight resistance, the product works.
- Check the fly wheel brakes. Pull both rope ends quickly one after the other. The rope must slide out smoothly without audible mechanical noises.

6.2 Regular inspections

After having been subjected to a fall, this product has to be sent to MARK Save A Life for inspection. Don't forget to give us all necessary information (where and how this product has been damaged). The results must be noted in the inspection protocol. Always keep the inspection protocol and the instructions for use with the product.

The frequency of inspections depend on use intensity and may vary according to the conditions and environment in which this product is used. If this product is subject to increased use, you may have to inspect it more than once a year.

This product has to be inspected **at least once a year**, but in any case after maximum descent distance written on page 10 by MARK Save A Life or an authorized partner. Note the operated distances in the use protocol.

If this product is used as emergency equipment (kept in MARK Infini Box or MARK Seal Pack and not being used), it has to be inspected by MARK Save A Life after a max. of 10 years. Textile components have to be replaced. If this product is used as an emergency equipment, the packaging has to be checked regularly and, if damaged, the packaging and the product have to be sent to MARK Save A Life.

6.3 Inspection and maintenance

MARK Robin Hub descender, rescue and lifting device has been designed for harsh work environments. In order to ensure lifetime and period of use, all components have to be checked accordingly.



NOTE

Always perform a visual inspection before using this product. This product has to be inspected by MARK Save A Life or an authorised partner once a year. Comply with intervals and inspections regulations as indicated in the table below.

Descender, rescue and lifting device Inspection criteria	Inspection required by user	Inspection required by competent person	Inspection required by MARK Save A Life or authorized partner	Inspection required only by MARK Save A Life
For a properly stored, not used device ... MARK Infini Box	before use, afterwards contact competent person	check packaging at least once a year according to inspection information	inspection of equipment in case of faulty packaging (humidity)	after expired lifetime period of packaging (10 years)
For training devices and devices used for standard activities (no emergency operations) ...	before and after each use		at least once a year and after maximum descent distance, see point 2.5 on page 10	if device got overloaded or dropped
For devices used in emergency operations ...			Immediately take it out of operation and carry out an inspection	Immediately take it out of operation (if device has been dropped)

If you use this product in very harsh environments (extreme weather and use conditions, heavy descents and liftings) you have to reduce the inspection period in a proper way.

7 RETIREMENT

- You have to retire this product if MARK Save A Life or a competent person has stated that use is not safe.
- Retire the product in such a way that it cannot be used anymore.
- Retire this product in an environmentally friendly way. Separate materials!
- Dispose of the product only in accordance with the applicable national regulations.

8 RESALE

- To ensure safe and correct use, this product may only be resold with the instructions for use and the inspection protocol.
- The instructions for use and the inspection protocol must be available in the official language of the buyer. This is within the seller's responsibility.

9 ACCIDENTS

The following information should help you avoid accidents. However, this information does not replace experience, responsibility and know-how and does not release you from assuming personal risk.

- Prepare a rescue plan and indicate all possible rescue measures for any given emergency situations.
- Check use and fall area before using this product and alleviate or secure them.
- In a rescue situation communication between all involved persons has to be ensured.

9.1 Suspension trauma

Suspension trauma

Falling into the rope, a long descent or being suspended for a long period can induce suspension trauma (orthostatic shock). A suspension trauma can have lifelong detrimental effects on your health and even lead to death.

- Rescue the injured person quickly.
- Perform the correct first aid measures.

How do I know it's a suspension trauma?

- Paleness
- Sweating
- Shortness of breath
- At the onset: increased pulse rate
- Narrowing of vision
- Dizziness
- Nausea
- Later drop in pulse rate and blood pressure



A suspension trauma is a medical emergency!

- **Call the ambulance!**
- Free the injured person from the suspended position.
- Position the injured person with raised upper body (sitting up or squatting).
- Open straps and tight clothes.
- Monitor cardiovascular and respiratory system.
- If the casualty has no signs of life start with CPR.

If the injured person is suspended but able to move, tell him: Kick one foot with the other. Point the toes. However, this exercise will keep the blood circulation going for a short time (some minutes).

(Source: BG/GUV-I 869)

10 LEGAL INFORMATION

- Do not remove labels or other markings from this product.
- Use an inventory number for this product. Enter the inventory number in the inspection protocol.
- This product has a serial number. The serial number is entered on the instruction use and on the product.

10.1 Declaration of conformity

The manufacturer, MARK Save A Life GmbH, Gleinkerau 23, 4582 Spital am Pyhrn, Austria / Europe, hereby declares that this product („MARK Robin Hub“)

- conforms with the safety regulations for PPE against falls from a height (Cat. III/PPE Regulation (EU) 2016/425) and abides by the following standard

EN 341:2011 Klasse 1A

EN 1496:2017 Klasse B

EN 12841 Typ C

ANSI Z359.4:2013

- is identical with the PPE against falls from a height inspected by the accredited testing, inspection and certification body Allgemeine Unfallversicherungsanstalt, Adalbert-Stifter-Straße 65, 1200 Wien, with the number **Identification number 0511**
- is subject to the quality management system under the control of the accredited testing, inspection and certification body Allgemeine Unfallversicherungsanstalt, Adalbert-Stifter-Straße 65, 1200 Wien with the number **Identification number 511**

10.2 Product liability

MARK Save A Life does not assume liability for any direct, indirect consequences or consequences associated with accidents that result from improper use of this product or from false information made by a competent person or fitter on the test protocol or acceptance protocol.

10.3 Copyright

The layout, visuals, pictograms, photos and any other information in these instructions for use are protected by copyright.

10.4 Trademarks

All trademarks are the property of their respective owners.

11 DECLARATION OF CONFORMITY

EU-KONFORMITÄTSERKLÄRUNG EU-DECLARATION OF CONFORMITY



MARK Save A Life GmbH erklärt in alleiniger Verantwortung, dass das
MARK Save A Life GmbH declares in full responsibility, that the

Produkt: **MARK Robin Hub**
(Schutz gegen Absturz, Abschl- und Rettungsgerät (Cat. II)PSA Verordnung (EU) 2016/425)
product: **MARK Robin Hub**
(Protection against falls from a height - Descender and rescue device
(Cat. II)PPE -Regulation (EU) 2016/425)

Nr.: **laufende Seriennummer am Gerät**
no.: **serial number on the device**

Zertifizierung: **3000**
certification: **3000**

auf das sich diese Erklärung bezieht, mit der / den folgenden Norm(en) oder normativen Dokument(en)
Übereinstimmt:
corresponds to following standards:

ANSI Z359-4-2013
EN 341 - 2011
EN 1496 - 2017
EN 365 - 2004

hat die EU-Baumusterprüfung gemäß den Bestimmungen der PSA Verordnung (EU) 2016/425 (Modul B)
durchgeführt und die EU-Baumusterprüfbescheinigung Nr. 2020-3656 ausgestellt.
performed the EU type-examination according to regulations of the PPE regulation (EU) 2016/425 (Module B)
and issued the EU type-examination no. 2020-3656 certificate.

MARK Save A Life GmbH unterliegt dem Konformitätsbewertungsverfahren nach Modul D der PSA Verordnung
(EU) 2016/425 zur Qualitätssicherung bezogen auf den Produktionsprozess unter Überwachung der Sicherheits-
technischen Prüfstelle der ALWA mit der Kennnummer 0571

MARK Save A Life is subject to the conformity assessment procedure referred to Module D of the PPE Regu-
lation (EU) 2016/425, for quality assurance of the production process under surveillance of the Safety Technical
Testing Laboratory of ALWA with the identification number 0571.

[Signature]
Ing. Rudolf Mark
Geschäftsführer/Managing Director

Spital am Pyren, 09-2020



MARK Save A Life GmbH
Gartenweg 23
4562 Spital am Pyren
Austria / Europe

Tel: +43 7543 8000-0
Fax: +43 7543 8040-111
Mail: mark@savea.life.at
Web: www.savea.life.at

FN/Company no: 347158B
UID/Value added tax: A/1146175424
INZ/Company code: Landgericht St. Pölten
GM/General Manager: Ing. Rudolf Mark

12 TEST PROTOCOL

Product	MARK Robin Hub
Manufacturer	MARK Save A Life GmbH
Owner	
User	

Serial / lot number			
Purchased on	Seller	First used on	Inventory number

Inspections must be carried out at least once a year by MARK Save A Life or an authorized partner.

Date	Result, remarks	✓ X	Inspector, signature

✓ Product is OK > continue using product X Product is damaged > retire product

**Making
your life
safer.**