



SÖLL GLIDELOC **VERTICAL** **RAIL SYSTEM**

A New Generation of Guided-type Fall Arresters

Söll VR500 Fall Arrester

Honeywell
MILLER®

SÖLL VR500 FALL ARRESTER

The latest generation of guided-type fall arresters provides greater safety and more comfortable climbing from improved design.

Highest safety

- Quick arrest by allowing the catch nose to fully engage with mounting holes
- For inspection before use, there is a visual fall indicator to reveal whether the shock absorber has been deployed
- Locking pin prevents inserting the shuttle in the wrong direction

Unmatched Comfort

- Optimized performance for smooth and uninterrupted sliding performance on all Söll GlideLoc systems
- Ergonomic, Compact and lightweight design for ease of handling
- Big and "easy-to-grip" carabiner for ease of opening and closing when wearing gloves
- Carabiner with swivel connection to allow freedom of movement and rotation in all directions

Robust and durable

- Long lifetime with stainless steel shock absorber and internal parts together with high performance polymer wheels
- Housing fully covers the shock absorber to protect against accidental impact, extending the life of the fall arrester and reducing the need for maintenance
- Tri-lock carabiner to withstand up to 30 kN with the gate up to 16 kN

Universal applicable

- Certified for workers weighing 40 kg to 140 kg
- Works with forward, backward and sideways inclined ladders and rails at angles up to 15°
- Tested for rails operating at temperatures ranging from -40°C to 50°C

Safety standards

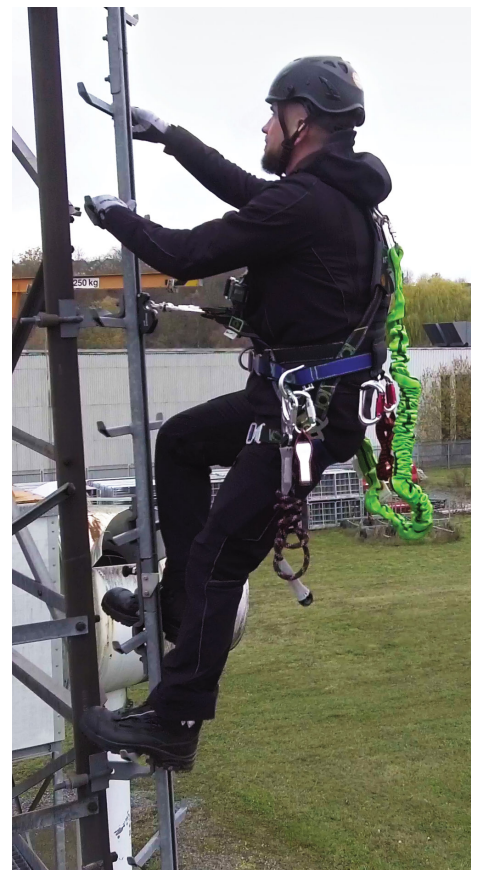
- Certified according to EN 353-1:2014+A1:2017, OSHA 1910.29 and ANSI 14.3 – 2008

Söll VR500 Fall Arrester

SKU - 50163730

AREAS OF USE

- Telecommunications
- Wind Turbines
- Utilities
- Industrial Facilities
- Drilling Rigs/Platforms
- Shipbuilding
- Crane Installation
- Confined Spaces



SÖLL VR500

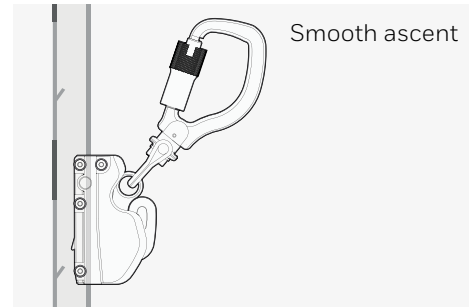
PRODUCT FEATURES

- Ergonomic, compact size, and lightweight for ease of handling
- Large tri-lock carabiner with swivel connection for ease of gripping when wearing gloves

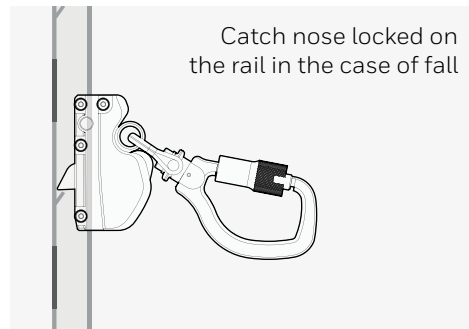
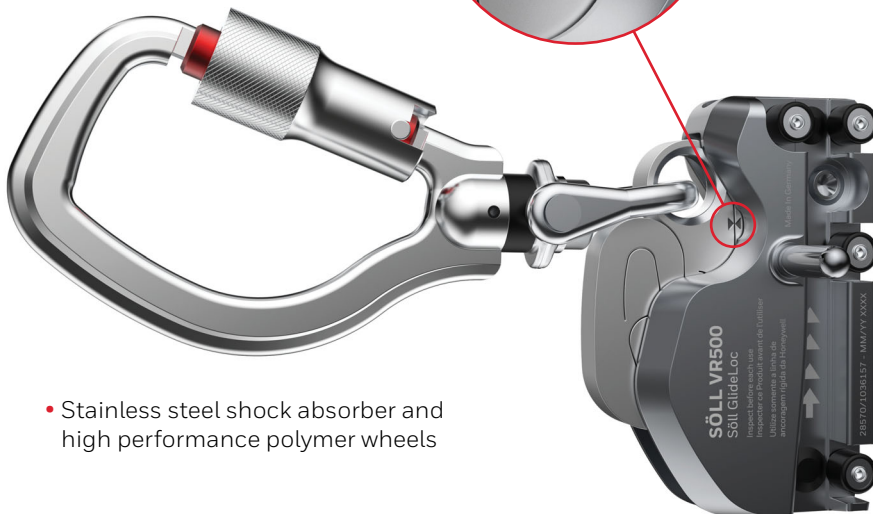
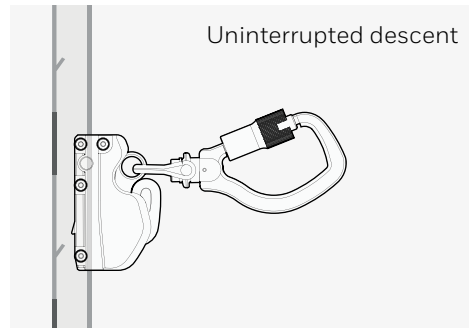
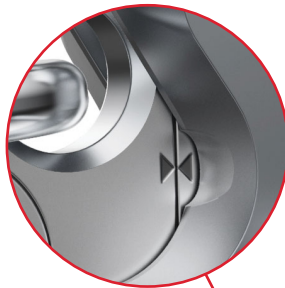


Weight:	850 g
Length:	109 mm
Width:	63 mm
Height:	77 mm
(with carabiner)	237 mm

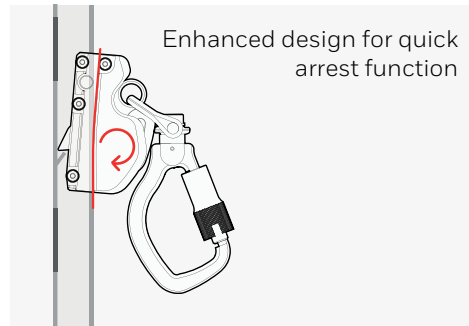
- Shock absorber fully protected by housing against impact



- Visual fall indicator for ease of inspection



- Stainless steel shock absorber and high performance polymer wheels



- Locking pin prevents incorrect insertion into the rail

FOR ALL WORK ENVIRONMENTS AND STRUCTURES

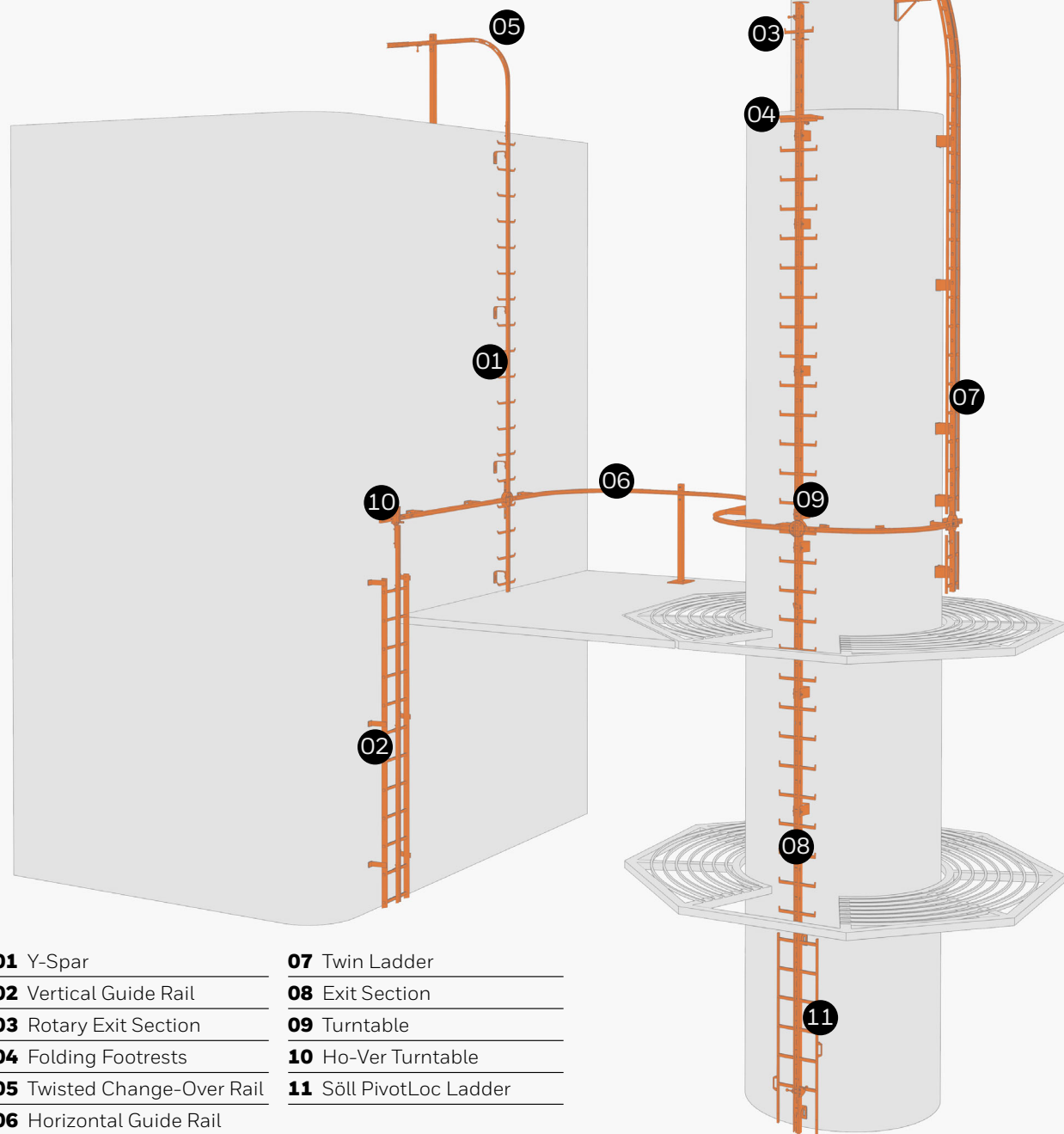
The Söll GlideLoc vertical rail system withstands the effects of variable temperatures and harsh weather conditions. The design can be adapted to suit different structural requirements.

- **Aluminium** offers a smooth surface and a sleek appearance, while highly resistant to corrosion and distortion
- **Stainless steel** is the best solution for harsh environments such as chemical plants, food production, offshore sites, and industrial chimneys
- **Hot-dipped galvanized** steel is a cost-effective solution for conventional applications

Söll VR500 is new to the Söll GlideLoc vertical rail system product line.

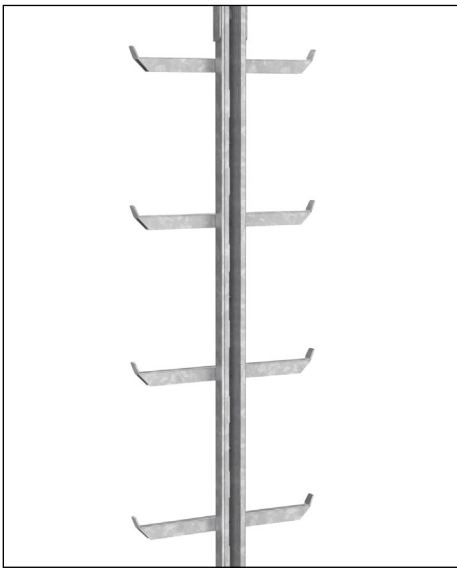


SÖLL GLIDELOC SYSTEM COMPONENTS



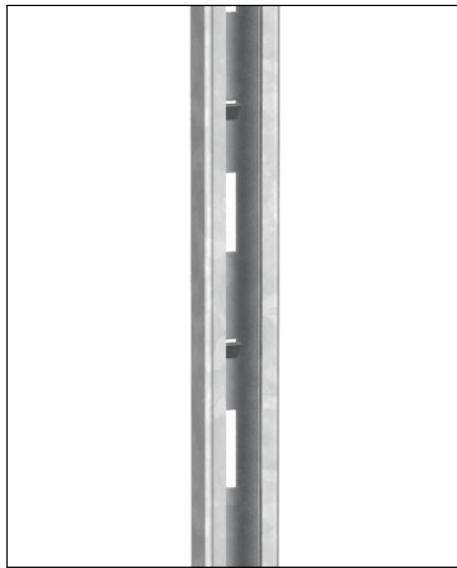
- | | |
|------------------------------------|--------------------------------|
| 01 Y-Spar | 07 Twin Ladder |
| 02 Vertical Guide Rail | 08 Exit Section |
| 03 Rotary Exit Section | 09 Turntable |
| 04 Folding Footrests | 10 Ho-Ver Turntable |
| 05 Twisted Change-Over Rail | 11 Söll PivotLoc Ladder |
| 06 Horizontal Guide Rail | |

SÖLL GLIDELOC SYSTEM COMPONENTS



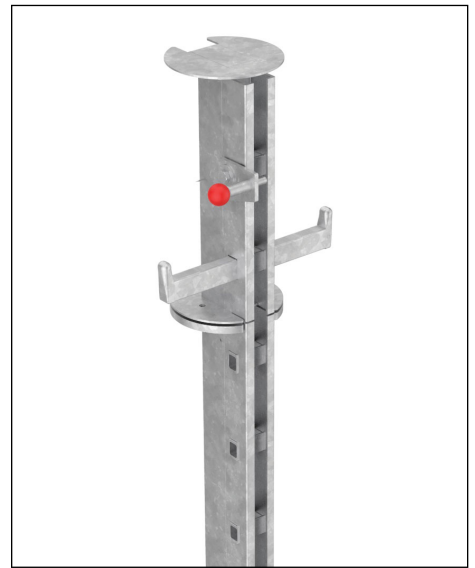
01 Y-Spar Ladders

Cost-effective option for low surface area to keep the wind loads applied to the sub-structure to a minimum.



02 Vertical Guide Rail

For applications where the rail needs to be assembled on existing ladders or step irons.



03 Rotary Exit Section

Allows safe access to leave the top of the guide rail while standing on the upper platform.



04 Folding Footrests

Provides a rest platform and to be installed at regular interval distances in case of high ascent routes for added safety.



05 Twisted Change-Over Rail

Allows moving safely onto a roof or a platform away from the edge of the roof before disconnecting from the system.



06 Horizontal Rail Guide

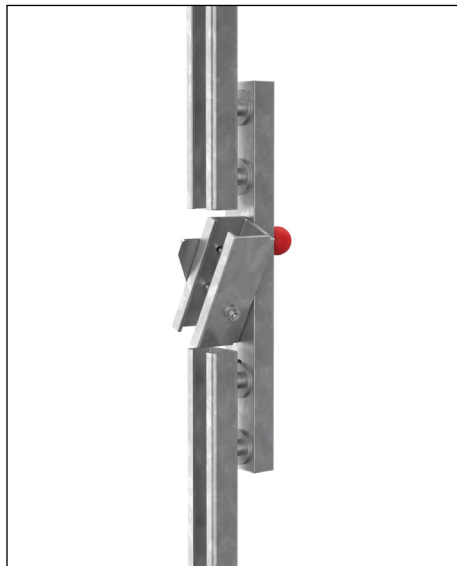
Available as straight or curved rail to allow safe access along narrow platforms.

SÖLL GLIDELOC SYSTEM COMPONENTS



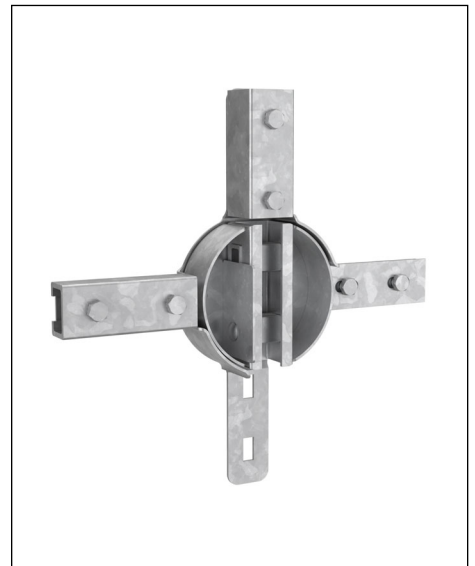
07 Twin Ladder

For access using the hand rails and without the need to hold on the rungs, ideal where high distortion resistance is required.



08 Exit Section

Allows detaching and attaching the fall arrester from the rail.



09 Turntable

Allows safe continuous transfer from the ladder to the horizontal rail and vice versa without the need of disconnecting.



10 Ho-ver Turntable

For changing direction from the end of a vertical rail to a horizontal rail and vice versa.



11 Söll PivotLoc ladder

Foldable for discreet look that can be locked when in closed position, offering an alternative option to the use of cover plate.

CUSTOMER SERVICE CONTACT

North and Central Europe

Honeywell Fall Protection Deutschland
GmbH & Co. KG, Seligenweg 10
D-95028 Hof
Germany
E-mail: scs-hof@honeywell.com
Tel: +49 (0) 928 183 020

France, Spain, Portugal & North Africa

35-37 Rue de la Bidauderie
18100 Vierzon
France
E-mail: Lignedevie.hsp@honeywell.com
Tel: +33 (0) 248 530 897

Australia & New Zealand

45 Grosvenor St
Abbotsford, Victoria, 3067
Australia
E-mail: hshspamelbourne@honeywell.com
Tel: +62 1300 139 166

Brasil

Fabricado ou Importado por:
Honeywell Indústria de Tecnologia Ltda.
Rua Oswaldo Cruz, 615
CEP 37501-168 - Itajubá – MG –
Brasil
E-mail: atendimento.his@honeywell.com
Tel: +55 1145 070 505

Middle East & Africa

PO Box 232362
Emaar Business Park, Building 2,
Level 2,
Office 201
Dubai, United Arab Emirates
E-mail: hsp-meai@honeywell.com
Tel: +971 44 505 800

Russia & EAEU

Представитель изготовителя в РФ и ЕАЭС
АО «Хоневелл»
ул. Киевская д.7, г. Москва, 121059
Российская Федерация
Tel: +7 4957 969 800

TO WATCH THE
VR500 PRODUCT VIDEO



HONEYWELL FALL PROTECTION

Deutschland GmbH & Co. KG
Seligenweg 10
95028 Hof,
Germany

www.honeywellsafety.com

HIS-FALL-VR500-BRO-EU-V1 | 08/20
© 2020 Honeywell International Inc.

THE
FUTURE
IS
WHAT
WE
MAKE IT

Honeywell