

FABA™ EZ 150kg



The FABA™ EZ is developed and manufactured by Tractel®.

FABA™ EZ is a detachable fall arrest slider. It is compatible with the ladder and rail of FABA A12 (in galvanized steel or stainless steel) and FABA AL2, AL2-Mobil, AL2-Mobil F (in anodized aluminium).

It can be introduced and removed at any location of the ladder by 3 manual operations. This simplifies the construction of the FABA® system: no specific entry or exit component is required.

The fall arrest slider is an integral part of the climbing protection system and together with the climbing protection rails it forms a package of fall arrest systems that safeguard against falling.

In the event of a fall, the locking mechanism on the fall arrest slider locks into one of the notches in the rail profile and this prevents the fall arrest slider from moving downwards and this action saves the user from falling.

FABA™ EZ is certified according to the latest standard: EN 353-1:2018.

To enhance Tractel® 150kg range, FABA™ EZ is certified for an operator weighing min. 50kg up to max. 150kg (this figure includes the weight of a person and his/her equipment).

FABA™ EZ is CE compliant according to the latest PPE Regulation EU 2016/425.

The FABA™ EZ must be inspected by Tractel® or an authorised specialist at least once every 12 months.

The slider FABA™ EZ has a useful life of 10 years as of the date of manufacture. On expiry of the 10-year period following manufacture date, authorization of use of the slider is subject to successful inspection by a Tractel® trained and certified technician.

Limitation of use

Due to its increase length compared to other sliders (AL-D and Grip), the FABA™ EZ 150kg cannot be used with curved rail and ladder, curved step-over, entry and exit section, rotating entry/exit or horizontal transfer gate.

Absorber

The absorber is developed and manufactured by Tractel®. It is made in strong and resistance synthetic bands. Its design ensures a maximum force of 600daN (~600kg) transmitted to the operator in the event of a fall as required by the norm.

In the event, if the traveller is deemed usable, the absorber can be replaced by a Tractel® trained and certified technician.

Traveller

The traveller is made in casted stainless steel to improve the durability of the slider. The FABA™ EZ slider and the A12 and AL2 systems are asymmetrically designed. This asymmetry prevents the slider from being inserted incorrectly.

The design of the traveller allows a smooth and comfortable operation.

Connector

For a frequent use of the FABA™ EZ slider, Tractel® offers the possibility to equip the slider with a semi-automatic trilock connector M23. This procures an ease in the daily use of the slider.

For an occasional use of the slider, the manual connector M10 is the perfect fit.

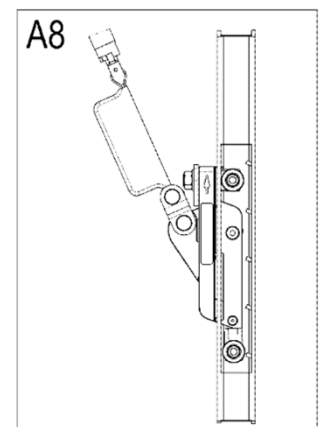
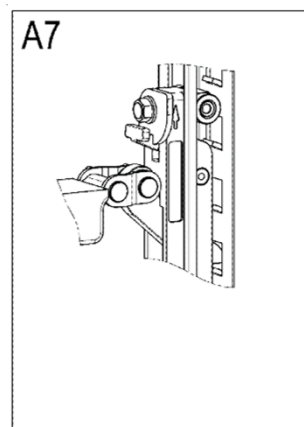
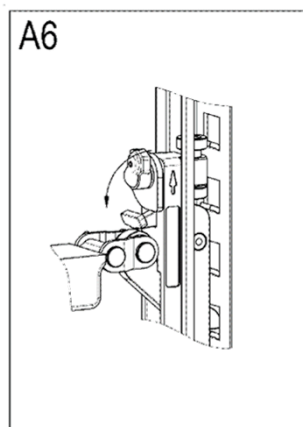
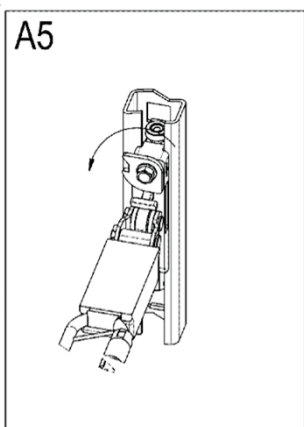
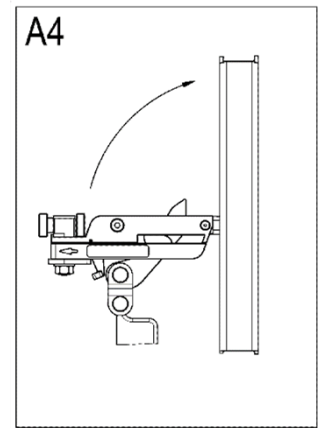
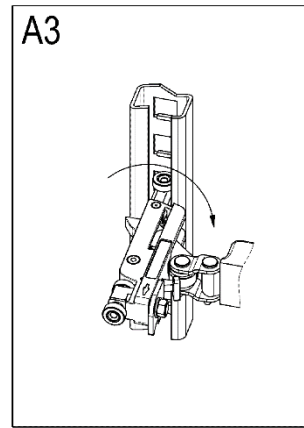
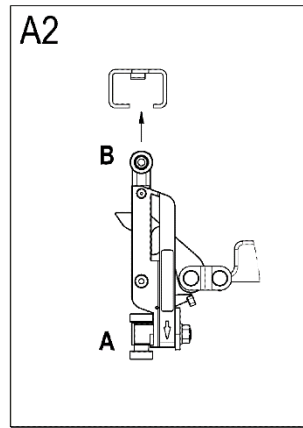
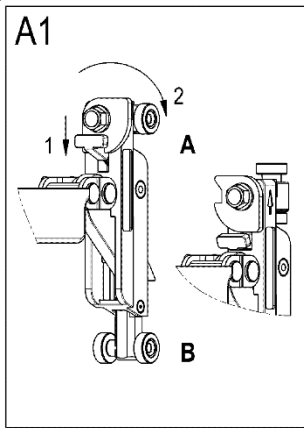
Code

Code	Description	Weight
513878	FABA™ EZ 150kg with trilock connector M23	1.2 kg
513888	FABA™ EZ 150kg with manual connector M10	1.2 kg

Insertion

The insertion of the FABA™ EZ is shown as example in the following pictures, for a proper instruction of the insertion, please refer to the operating manual.

The insertion can be done using only one hand. It is simple, quick, yet safe.



Removal

The removal of the FABA™ EZ is shown as example in the following pictures, for a proper instruction of the removal, please refer to the operating manual.

The insertion can be done using only one hand. It is simple, quick, yet safe.

