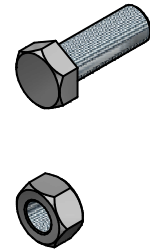
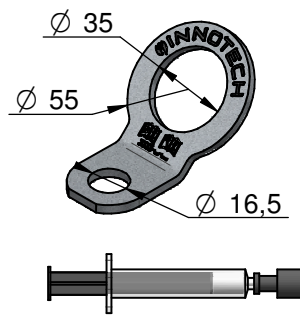
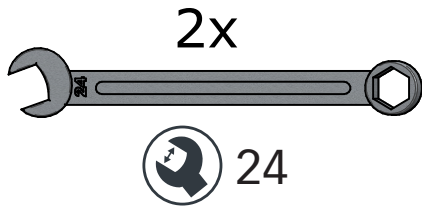
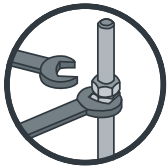




UNI-EAP-10-25



[mm]
M16x45
DIN933
M16
DIN934

