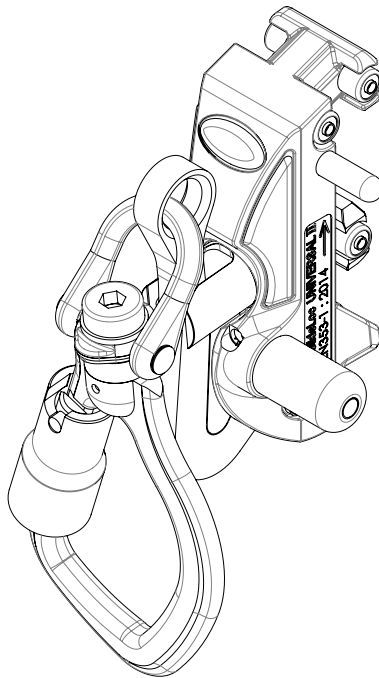


Usage & maintenance manual



Guided type fall arrester “Söll® Universal II” Söll GlideLoc® fall arrest system



353-1:2014

Reference 27871 / 1034702

Content

1.	General information	3
2.	Pre use information	6
3.	Use information	8
4.	Inspection and maintenance	15
5.	Miscellaneous	17

Explanation of symbols

	Warning! Non-observance could result in serious injury.
	Important! Useful information and user tips are given here.

Changes in this issue: section 5.1; Abb. 7



1. General information

1.1 Description of the Product and Hazards

The Söll GlideLoc®-fall arrester „Söll® Universal II“ [hereafter “fall arrester”] is a component of the fall protection system named Söll GlideLoc® which is equipped with a fixed guide designed to protect against fall from height. This fall protection system is certified in accordance with the norm EN 353-1 „Personal fall protection equipment - Guided type fall arresters including an anchor line - Part 1: Guided type fall arresters including a rigid anchor line] [hereafter the norm]. The operating company of the fall arrest system must suitably ensure that any user is granted its own full body harness EN 361 and its own fall arrester and that they are used according to the current instructions.

1.2 Manufacturer's details

Honeywell Fall Protection Deutschland GmbH & Co. KG
Seligenweg 10
95028 Hof, Deutschland
Phone: +49 (0) 9281 8302 0
E-mail: info-soell.hsp@honeywell.com

1.3 Compatibility

The fall arrester must be used only in conjunction with the original Söll fall arrest systems which have the Söll GlideLoc® EC-type examination certificate. Using systems of other manufacturers may prevent the proper and efficient functioning of the fall arrester.

The selection and use of the Söll GlideLoc® system must not be made without resorting to a person duly authorized by the manufacturer who will be able to help the user select the appropriate equipment, to analyze the requirements of a secure installation, and install them in a suitable configuration.

The fall arrester must only be used with full body harnesses compliant with norm EN 361 „Personal protective equipment against falls from a height - Full body harnesses“. Only fall arrest attachment elements certified according EN 361 (marked with “A”) must be used.

1.4 Performances of the fall arrester

The maximum arrest distance in case of a fall is 150 mm.

The maximum arrest force for a fall of a 100 kg weight will be 6 kN.

1.5 Limitations and capabilities



Caution - risk to life:

The "Söll® Universal II" fall arrester can be used in all Söll GlideLoc® systems with guide rails **except of steel and stainless steel guide rails without catch noses (until year 1984).**



Danger!

Failure to comply with these provisions will expose the user to risks of fall from height!

1.5.1 Capabilities

The maximum user weight (including the clothing and equipment) may not exceed 140 kg.

Operating temperature for the fall protection system: $-40^{\circ} - +60^{\circ}\text{C}$

When not in use the ambient temperature must not exceed 100°C .

A maximum of 3 users may simultaneously protect themselves against falling from a height using the Söll GlideLoc® fall arrest system.

The Söll GlideLoc® fall arrester „Söll® Universal II“ is intended for one user only.

The fall arrester must not be used for leisure activities.

1.6 The fall arrester should always be handled in such a manner that it will be protected from any damage or corrosion.

1.7 WARNING

Before using this fall arrester, it is imperative that you read and understand this instruction manual and any additional instructions provided during training or given with the related system.

KEEP THIS MANUAL FOR FUTURE USE - DO NOT THROW AWAY!

Ask your employer to provide you with an user training before first use of this equipment. You may also be directly supervised by a trainer and/or an authorized person.



Danger!

Failure to comply with these instructions may result in serious injury or death!

All users must be provided with this instruction manual.

The operating company of the fall arrest system must ensure that this instruction manual is either kept in a safe and dry location near the system or is always kept in an easily accessible location that is known to all system users.

- 1.8 National accident prevention regulations and the rules for use of personal protective equipment against falling, for work positioning and for rescue must be adhered to.**
- 1.9 For the users' safety, it is important that the retailer provides this manual in the respective country's language if this system is to be re-sold in another country.**

2. Pre use information

2.1 Storage

Storage temperature must be between -40° and $+50^{\circ}\text{C}$.

The fall arrester should be kept clean, dry and dust-free. It should not be stored near heat sources. No sun exposure during storage.

2.2 Inspection before use

2.2.1 Before each usage, the fall arrester including the karabiner hook has to be checked for the usage capability and correct functioning. (See the inspection check list 5.3)

2.2.2 The complete fall arrest system has to be checked in addition. After release the locking pin of the end stops must lock automatically in the initial position.

2.2.3 Before usage it is necessary to check that all components of the fall arrester are moving freely, especially the safety catch and the carabiner.

2.2.4 The fall arrester must not be used in case of any defects or doubts concerning safety. Do not use it until a authorized person or body (as defined in section 4.3) approves it for further use. If required send the fall arrester back to the manufacturer.

2.2.5 Users have to be in a good and healthy condition and physically fit. It is prohibited to climb if users are influenced by drugs, alcohol or medicine.

2.3 Transportation

Ensure that the fall arrester is protected from damage during transportation.

2.4 Installation mandatory pre-requisites and pre-use recommendations



Danger!

Failure to comply with the instructions of this section may result in serious injury or death!

The fall arrester must be used in combination with the elements of the Söll GlideLoc® system as described in the above section "compatibilities".



Note:

It is necessary to be extremely careful at the bottom of the fall arrest system. Within the first 2m of the climbing path special attention during ascending and descending is required because it may not be possible to prevent the user from hitting the ground.

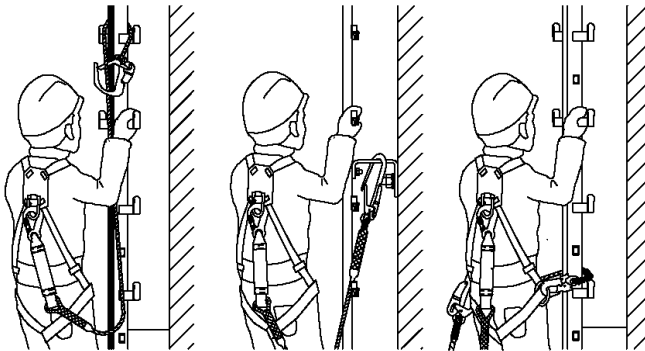
A vertical safety distance of at least 3.0 m between the users is mandatory.

2.5 Warning:



The fall arrest system and the full body harness secure the users against falling while ascending or descending. When working in or next to the climbing path and when executing tasks and actions that are not part of the usual ascent and descent movements, the climber must otherwise secure himself (the user alone takes the risk and liability for damages resulting out of this). This is also applicable when the user makes a break during climbing. In order to do this the user needs to use a lanyard compliant with EN 354 „Personal protection equipment against falls from height - Lanyards“ or a work positioning lanyard compliant with the EN 358 „Personal protective equipment for work positioning and prevention of falls from a height - Belts for work positioning and restraint and work positioning lanyards“. The choice of such lanyard must be done in consideration of the type of work and substructure and if needed in agreement with an expert. Only suitable anchor devices such as mounting brackets must be used for this purpose. In all these situations, the lanyard must held tight in order to prevent a fall (see Abb. 1).

Abb. 1



EN 354/355

EN 358

3. Use information

3.1 Insert at the beginning of the guide rail

Insert the fall arrester into the lower end of the guide rail (Abb. 2) or in the recess (Abb. 3) (that must always be positioned at the belly height or lower). The laterally protruding safety pin (Pos.1) must be on the right side and the engraved arrow must point upwards.

The safety pin (Pos.1) together with the end stop (Pos.2) prevent the incorrect use of the fall arrester and unintended slipping from the guide rail.

Abb. 2

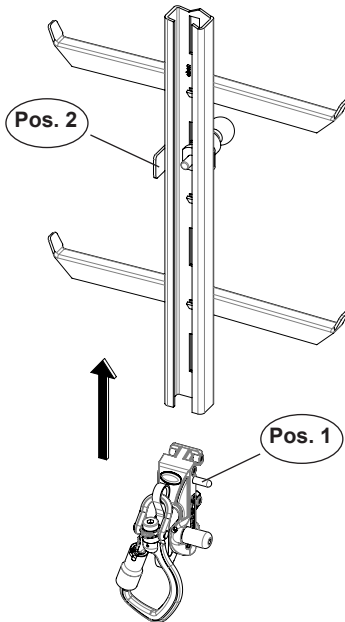
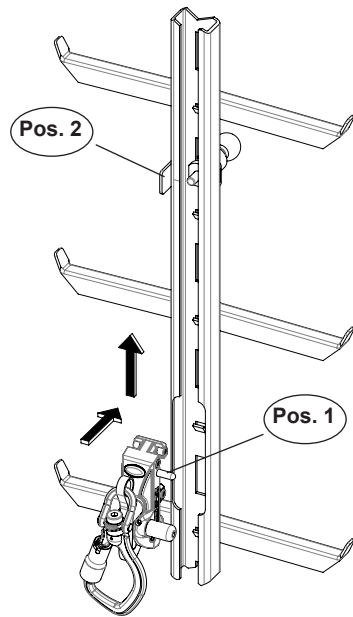


Abb. 3



Warning:

Crossing the end stop is allowed only

- in the areas **without** the risk of a fall from heights or
- if the fall protection is ensured otherwise.

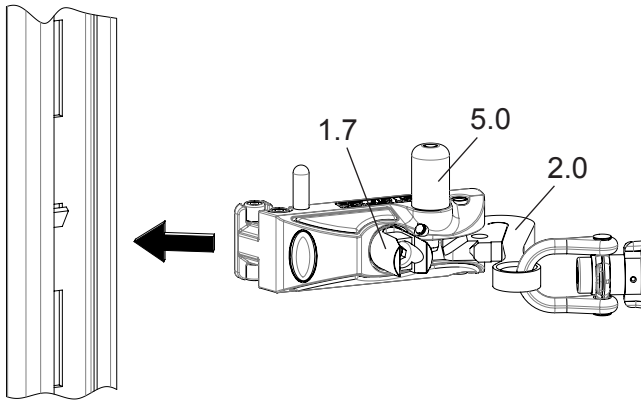
3.2 Insert at any desired position

After pulling the locking pin (5.0) the shock absorber (2.0) can be folded out and the locking axle (1.7) can be turned by 90°.

Insert into the guide rail takes place in the following order:

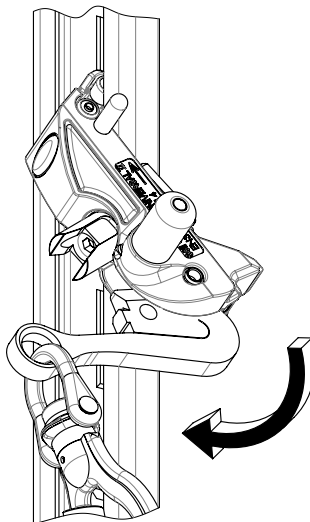
Insert the front wheels into the guide rail

Abb. 4.1



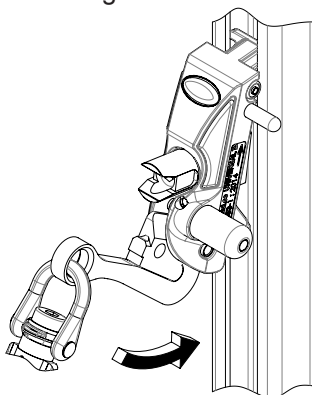
Swivel the fall arrester in the running direction

Abb. 4.2



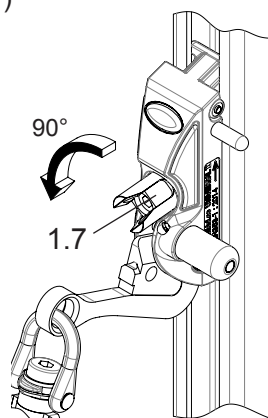
Insert the fall arrester into the guide rail

Abb. 4.3



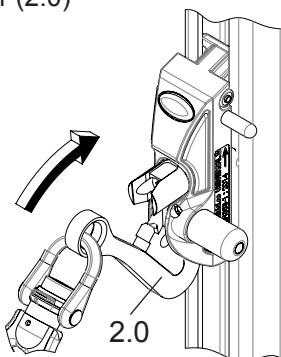
Turn the locking axle (1.7)

Abb. 4.4



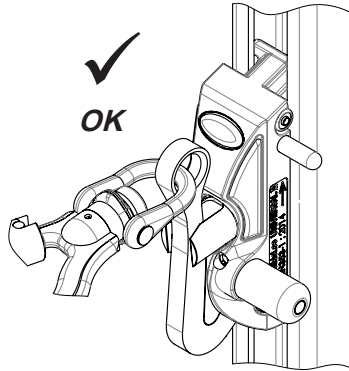
Lock the shock absorber (2.0)

Abb. 4.5



Functional check after inserting and locking

Abb. 4.6



Note:

The wheels of the locking axle (1.7) must be in the guide rail after inserting. The shock absorber (2.0) must be locked in order to prevent the locking axle (1.7) from twisting.

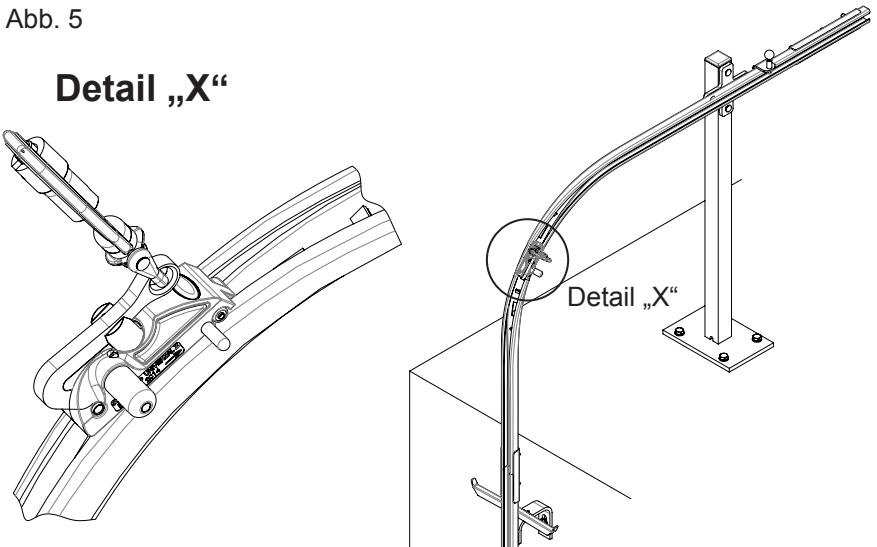


Warning!

When using the fall arrester „Söll® Universal II“ together with the change-over rail ensure that the running direction ist correct (**arrow up**)!

Abb. 5

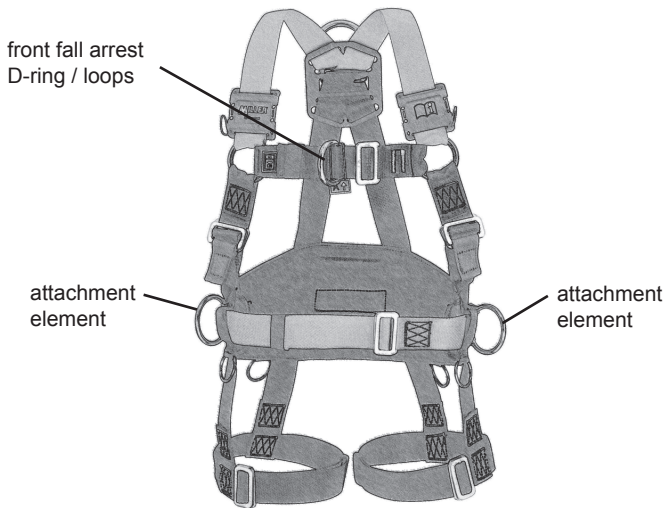
Detail „X“



The self locking karabiner of the fall arrester shall be connected with the front sternal fall arrest D-ring/loops of the full body harness marked with „A“.
(see Abb. 6)

In order to open the karabiner turn the gate to the left and push it inwards.

Abb. 6



Warning: Risk of life!

The karabiner of the fall arrester must be directly connected to the certified front sternal fall arrest D-ring/loops (marked with „A“) of the full body harness to ensure the usage in accordance with the standard EN 353-1.

Note:

It is absolutely prohibited to use karabiners of another type than the original ones provided!

The distance between the outer edge of the guide rail and the internally bent eyelet / loops on the harness must not exceed 220 mm.



Note:

The full body harness must fit well and tightly to the body!

If the harness should become loose during climbing, it must be readjusted. During readjusting of the harness users must be in a safe position and secured with a lanyard as specified in 2.5.

For more information, please refer to the user manual of the harness and/or lanyard.

- 3.3 After inserting the fall arrester and attaching to the full body harness, the system is ready for use. For descending it is necessary to unlock the fall arrester by lean backwards. The upper body still has to be in a upright position.



Attention!

Before and while using this fall arrester, ensure that the locking axle (1.7) is automatically pulled to the end stop in the housing by using the spring force.

3.4 Removing the fall arrester from the guide rail



Warning:

Before removing the fall arrester from the guide rail or detaching from the harness, users must be secured and protected against a fall from height otherwise!

In order to remove the fall arrester at the end of the guide rail, the end stop has to be crossed (Abb. 2, 3). In order to do this the locking pin has to be pulled backwards or sideways, depending on the design..

In order to remove the fall arrester at any desired position from the guide rail, proceed in the reverse order as described for inserting (chapter 3.2). For this, first the locking pin (5.0) on the right side of the fall arrester has to be pulled.

If other accessories (e.g. exit section) are mounted at the guide rail or ladder, please follow the respective manual.

After use the fall arrester must be removed from the guide rail.

3.5 Foreseeable misuse



Warning:

Any alterations or additions to the fall arrester „Söll® Universal II“ without the manufacturer’s written approval may prevent the fall arrester from properly functioning and are therefore prohibited.

The non-use of the front sternal fall arrest D-ring/loops may result in serious injury or death.

3.6 Emergency procedures

It is essential that the operator of the fall protection system has a rescue plan, wherein all possible emergencies, in particular the urgent need to evacuate an injured person, are taken into account.

4. Inspection and maintenance

4.1 A fall arrester loaded by a fall must be inspected by an authorized person or body before it is used again.

Never use such a fall arrester without the written approval from an authorized person or body.

4.2 The fall arrester and the respective manual must be sent to the manufacturer's workshop for inspection and maintenance.

4.3 An authorized person or body has to regularly check the fall arrester that it is in a good condition and ready for use. Such inspection has to be carried out at least once a year or more frequently depending on the application and operational conditions. In order to this the „**inspection checklist**“ (see 5.3) has to be used.

Not or only insufficient carried out inspections and maintenance will impair the functionality and the durability of the fall arrester and therefore endanger the safety of the user.



Warning!

Inspections may only be carried out by the manufacturer or by its authorized person or body.

The authorization can be acquired through a training and regular refreshers by the manufacturer.

The hereby received certificate is valid for 3 years and authorizes to conduct regular inspections of Söll systems.



Warning!

An authorization for inspections does not include an authorization to carry out repairs.

4.4 Maintenance

An authorized person or body is allowed to deal with following defects:

- removing dirt (concrete, mortar, paint, etc.) from the fall arrester
- cleaning the marking
- replacing of stickers

In case of dirt inside the fall arrester or if the fall arrester has any defects which require disassembly, it must be sent back to the manufacturer (together with the respective manual) for cleaning and repair. This process must be recorded in the annex of the checklist (space for comments).



Note:

For reasons of safety repairs may only be carried out by the manufacturer or a person appointed by him.

4.5 Cleaning

Wash the entire fall arrester with water and dry it using an absorbent cloth. Do not use heat sources for drying.

Do not wash it with a quick cleaner, thinner or degreaser containing trichloroethane. **Do not use grease.**

The wheels (Abb. 8 / Pos. 3.0) have plain bearings and have been lubricated in the factory.

Lubricate the rotary shackle (Abb. 8 / Pos. 4.0) and the karabiner gate (Abb. 8 / Pos. 6.1) slightly, if required.



Attention!

Do not bring the fall arrester in contact with chemicals.

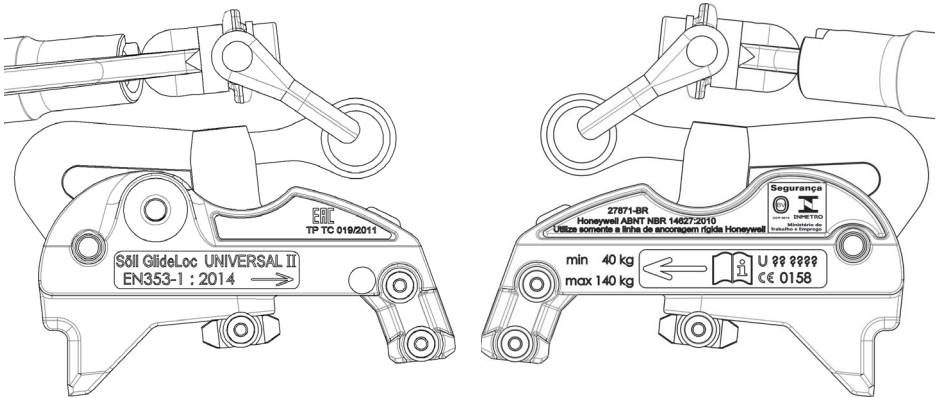
4.6 Operating lifetime

The operating lifetime of the fall arrester depends on the frequency of use and the operating conditions. During yearly inspection done by an authorized person or body the fall arrester will be only released for further use if the product and its components are in good condition.

5. Miscellaneous

5.1 Explanation of the marking

Abb. 7:



Year of manufacture

- U ??

Serial number

- ?????

CE 0158

- monitoring notified body



- advice to read the user manual

Söll GlideLoc

- type of the fall protection system

UNIVERSAL II

- type designation of the fall arrester

EN 353-1:2014

- reference to the European standard



- conformity marking of the Eurasian customs union

TP TC 019/2011

- Russian standard

ABNT NBR 14627:2010

- Brazilian standard



- conformity marking Brazil

min. 40kg max.140kg

- min./max. permissible weight of the user

An authorized person or body is only allowed to place an inspection label, if the fall arrester is absolutely free from any defects after inspection and maintenance.

5.2 Relevant notified body

DEKRA EXAM GmbH
Dinnendahlstrasse 9
44809 Bochum
CE 0158

5.3 Inspection checklist (see Abb. 8)

Body (1.0)

- free from paint/mortar/concrete/dirt etc.
- markings are clearly legible (1.1)
- arrow (1.2) is well recognizable
- safety pin (1.3) is not bent and sits firmly
- running surface (1.4) is clean
- stickers (1.5/1.6) are existing and not damaged *

Locking axle (1.7)

- free from rust, dirt, concrete, paint etc.
- freely movable and rotatable
- is pulled to the end stop in the housing by spring force
- **cannot** be rotated when the fall arrester is upside down

Shock absorber (2.0)

- arrests with the locking pin (5.0)
- moves freely
- isn't deformed (2.1)

Wheels (3.0)

- all wheels are existing, 6 units
- rotate freely (concentricity)
- aren't damaged
- sit firmly on the axles
- minimum diameter of the wheels - 9 mm

Rotary shackle (4.0)

- can be moved freely
- isn't broken
- has no cracks or other damages
- thickness of the shackle must be at least 5,5 mm
- external dimension of shackle pin eyelet (4.1) maximal 40 mm

* not relevant for safety

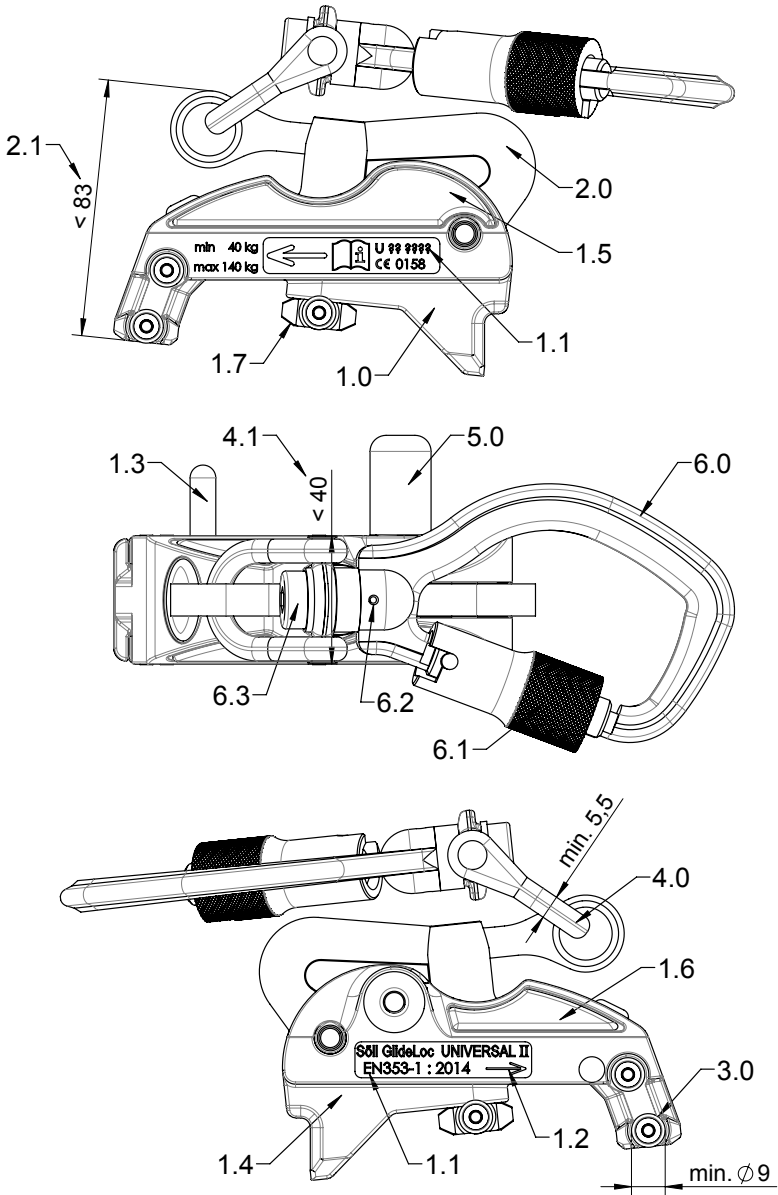
Locking pin (5.0)

- free from rust, dirt, concrete, paint etc.
- isn't damaged
- moves freely
- arrests automatically

Karabiner (6.0)

- isn't bent or broken!
- has no cracks or other damages
- karabiner gate (6.1) isn't damaged
- karabiner gate (6.1) can be opened easily
- karabiner gate (6.1) must close and lock automatically
- safety pin (6.2) is existing
- screw (6.3) isn't damaged

Abb. 8



5.4 Inspection logbook

Serial-No: _____

Date	Reason for working on the system (regular inspection or repair)	Damage determined, repairs carried out and other important details	Name/signature of the authorized person/body	Date of the next regular inspection

SEN 56
08/2017
Technical modifications reserved!
© 2017 Honeywell International Inc.

**Honeywell Fall Protection
Deutschland GmbH & Co. KG**

Seligenweg 10
D-95028 Hof

Tel.: +49 (0) 9281 83 02 0

Fax: +49 (0) 9281 36 26

scs-hof@honeywell.com

www.honeywellsafety.com

