

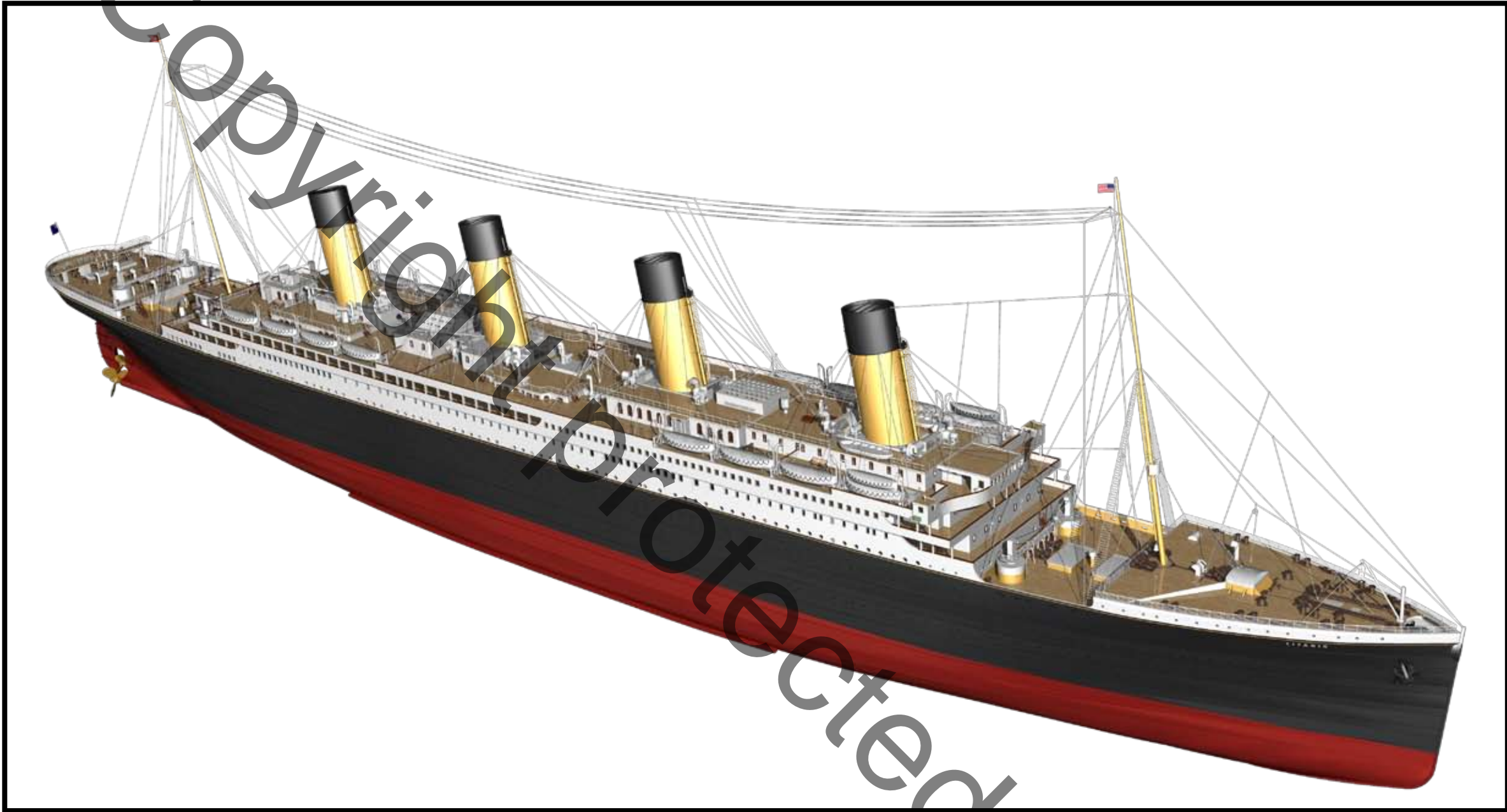
RMS TITANIC "510" ****



BUILDING INSTRUCTION

2

This model is Copyright protected.
All Copyrights to the designs of this
version of the RMS Titanic belongs to
Krean Holding Aps



www.billingboats.com

FIG. 35

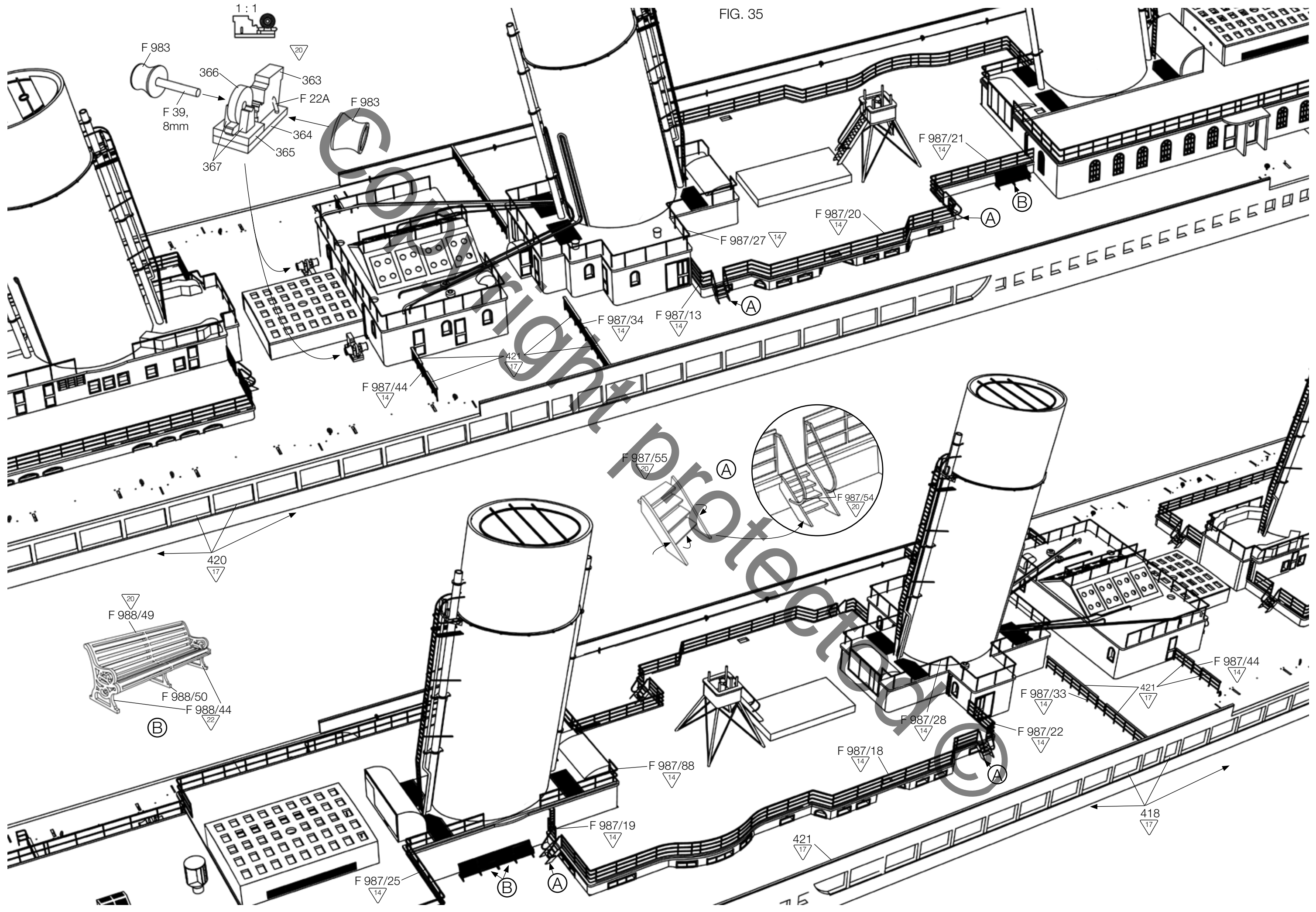


FIG. 36

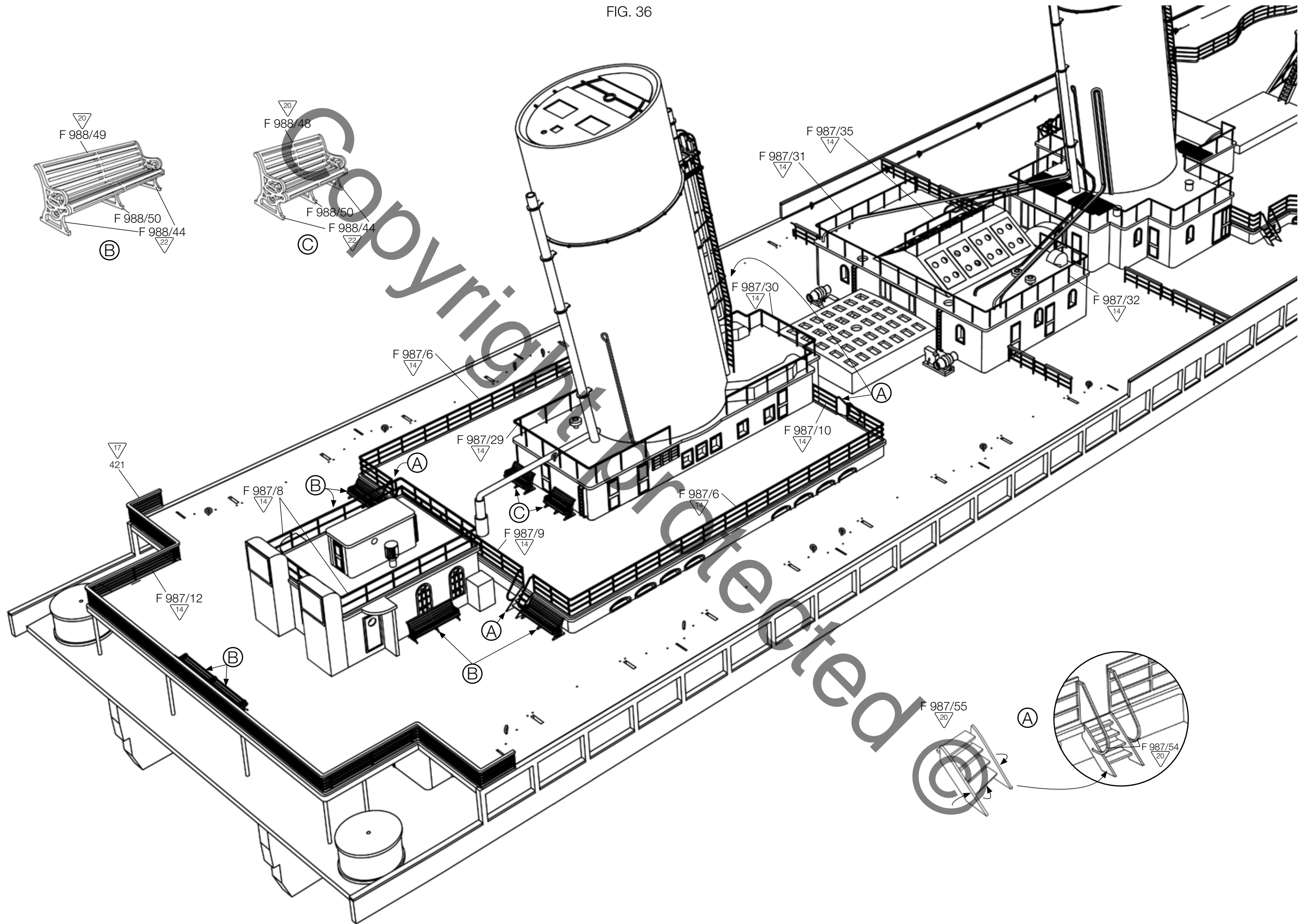


FIG. 38

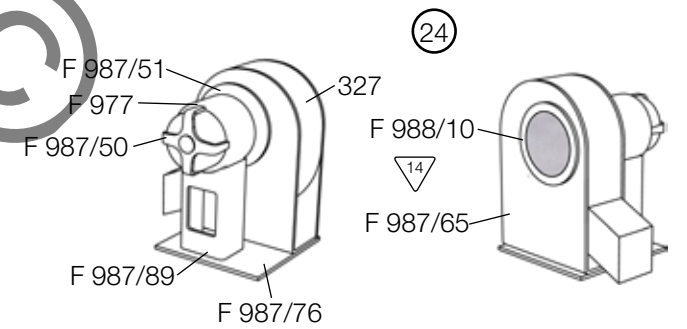
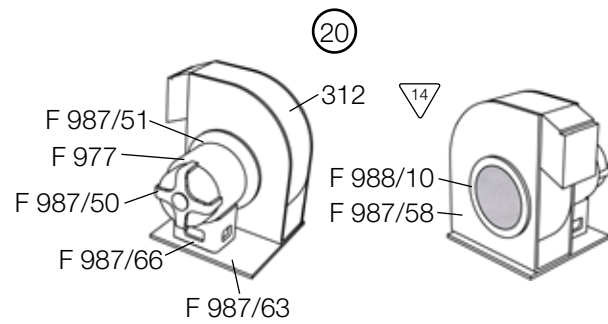
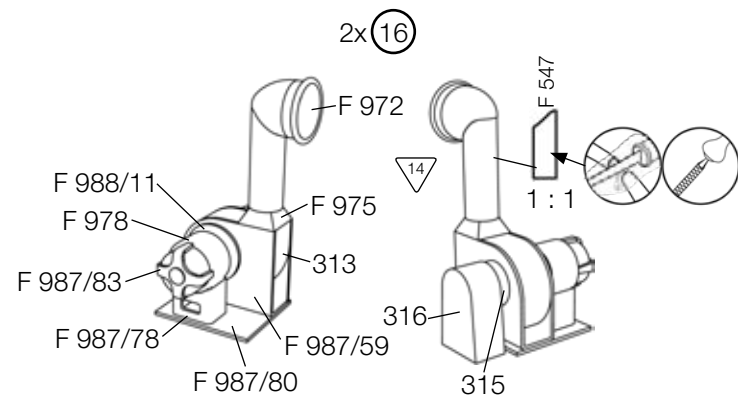
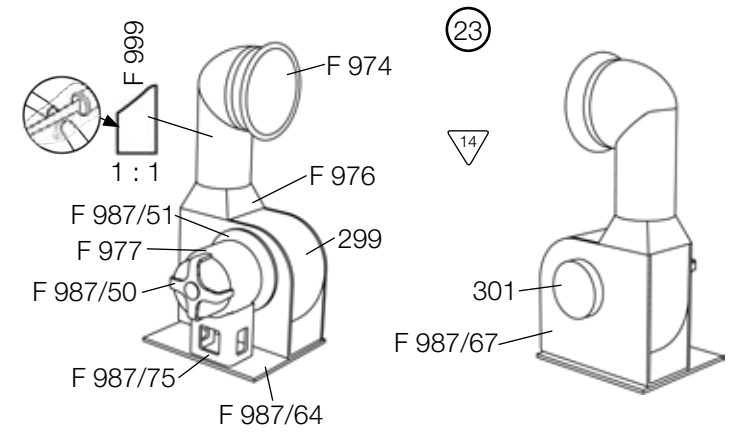
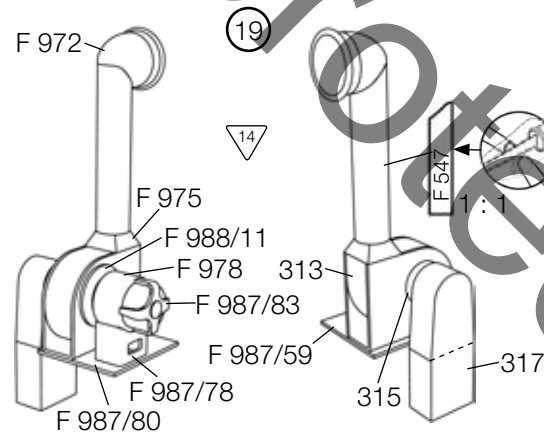
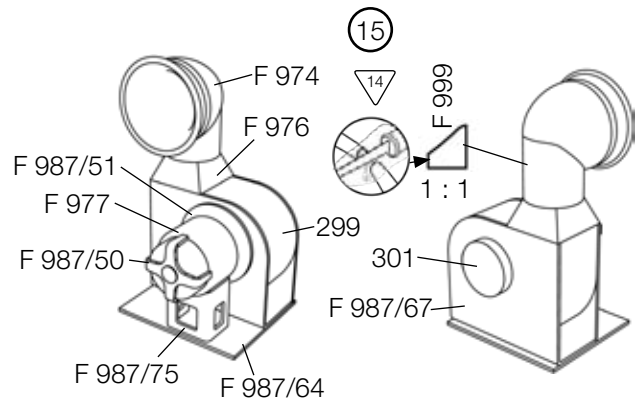
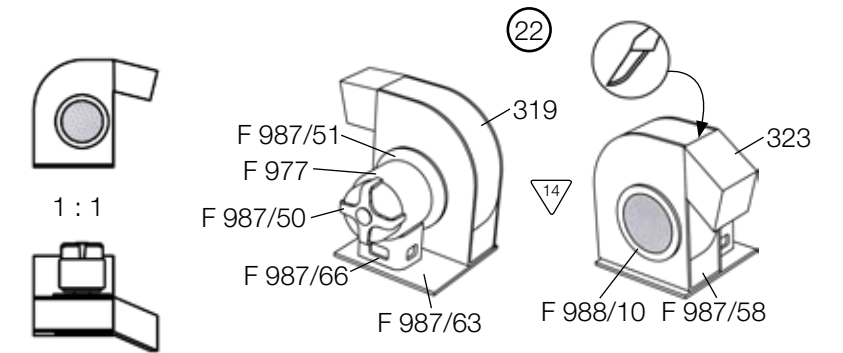
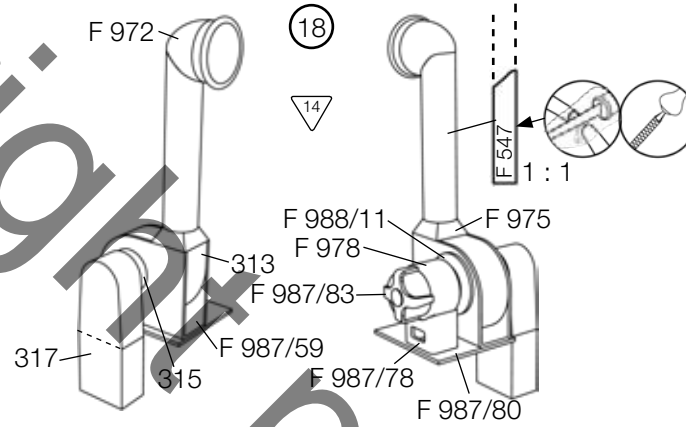
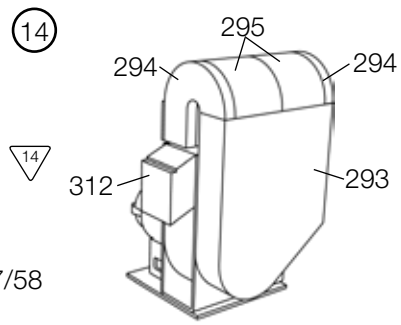
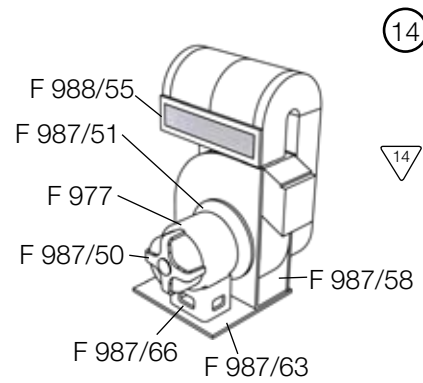
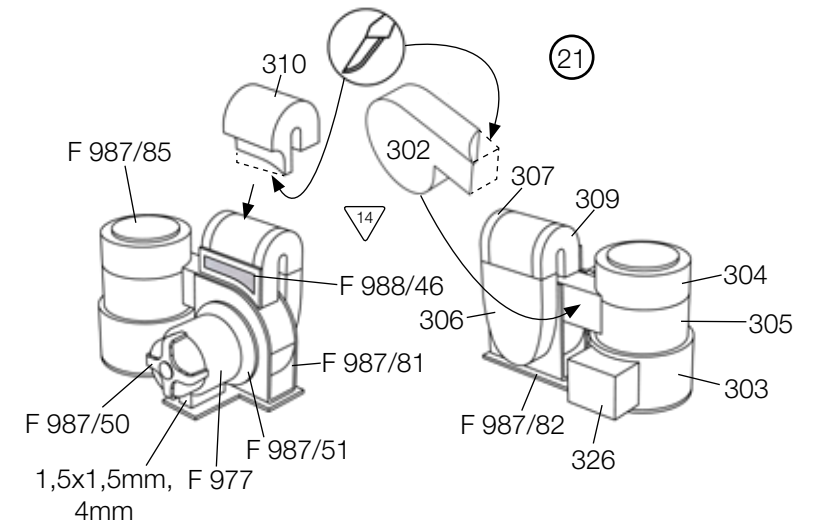
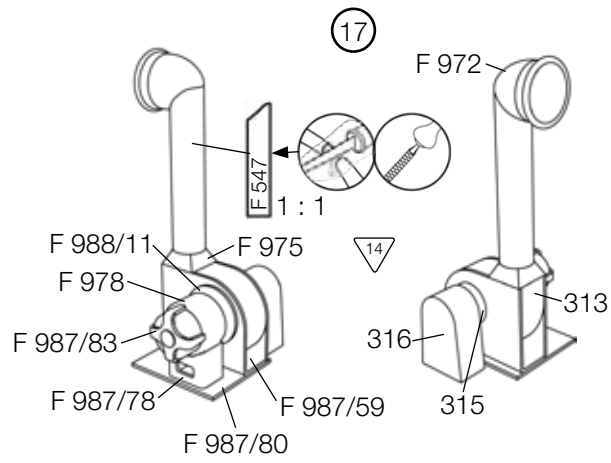
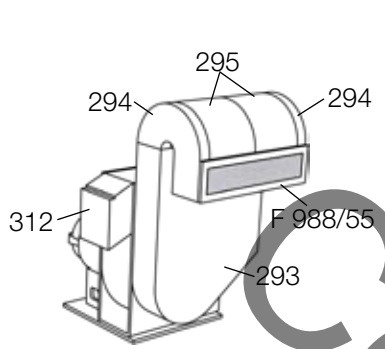
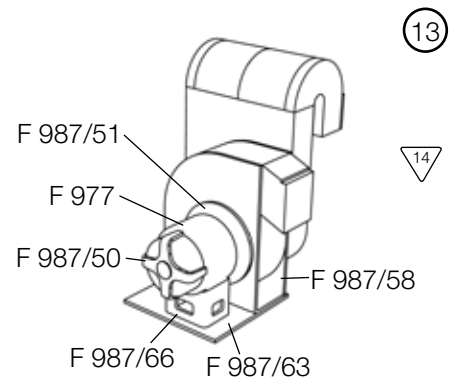
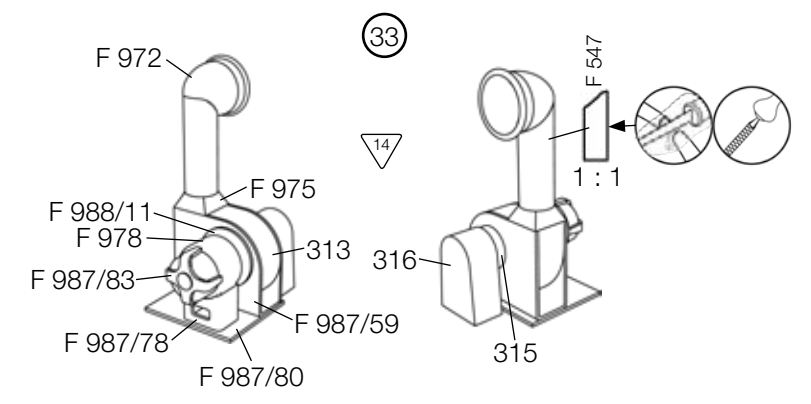
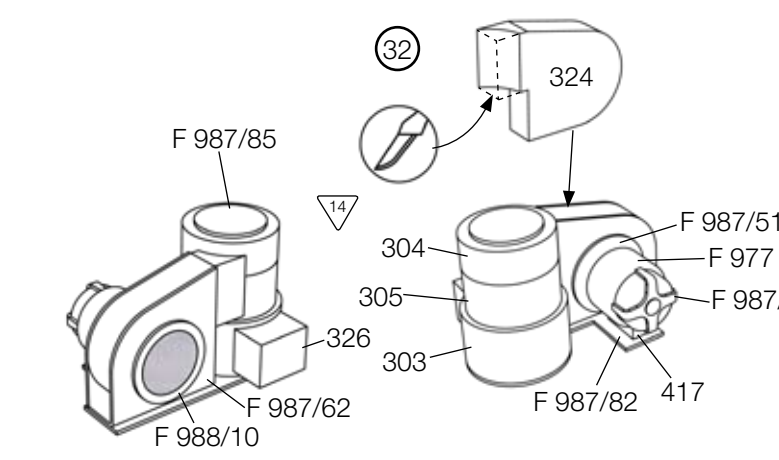
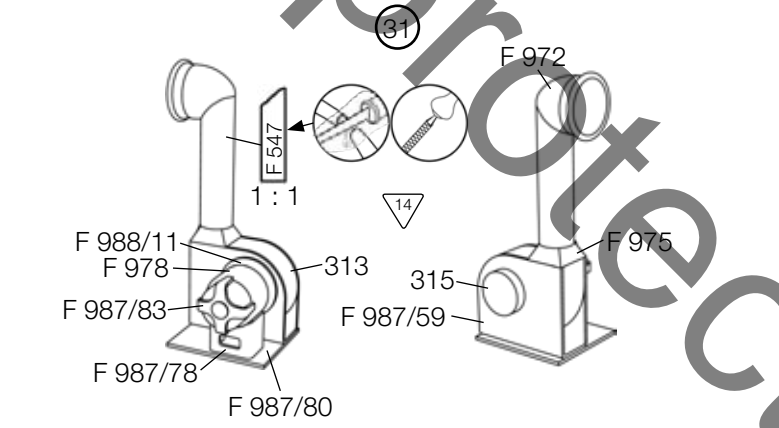
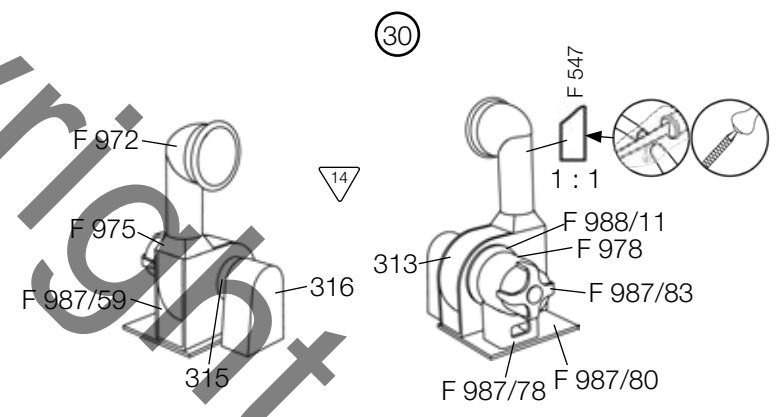
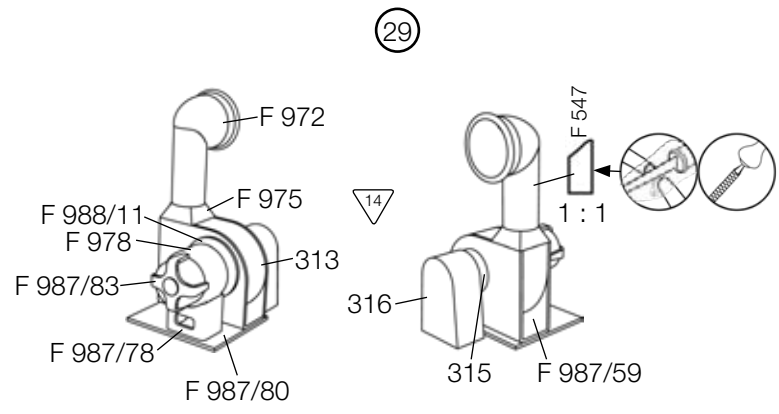
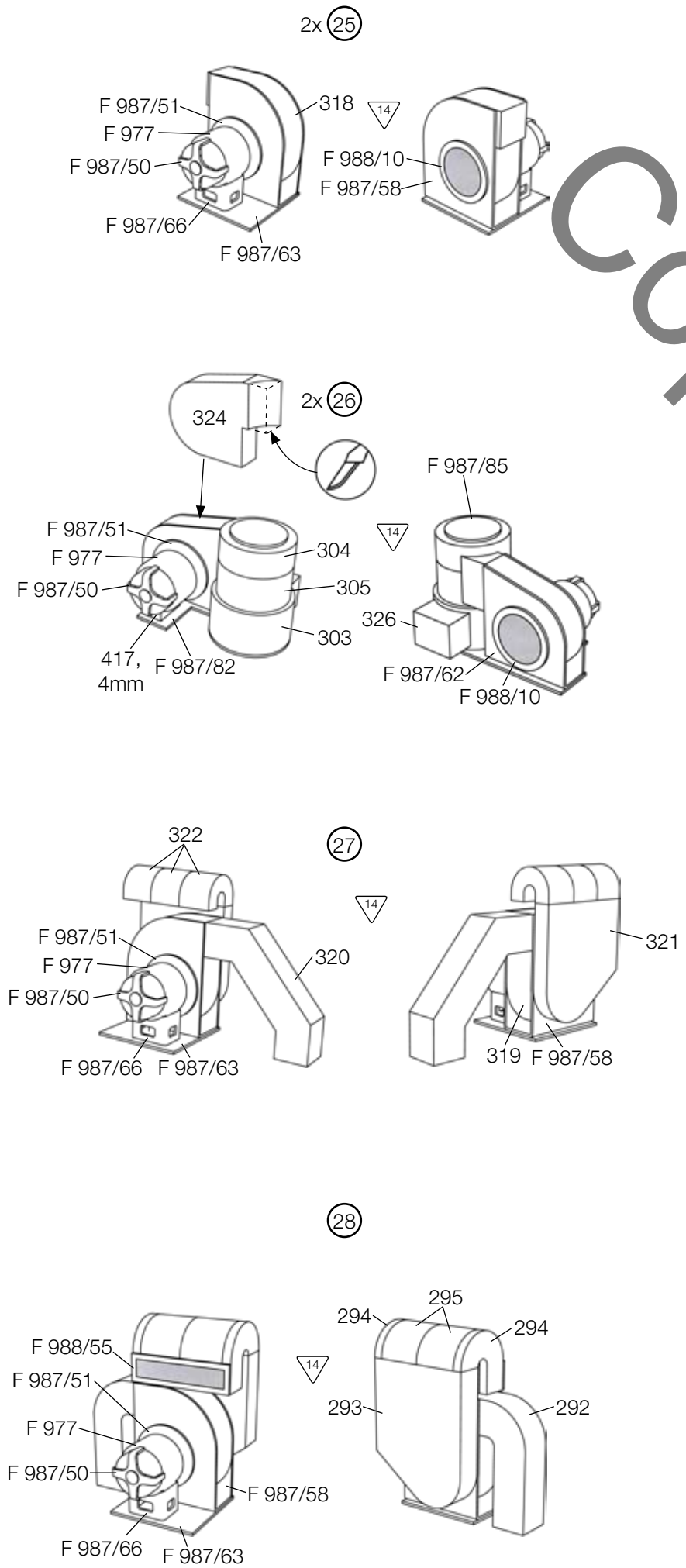


FIG. 39



Copyright protected ©

FIG. 40

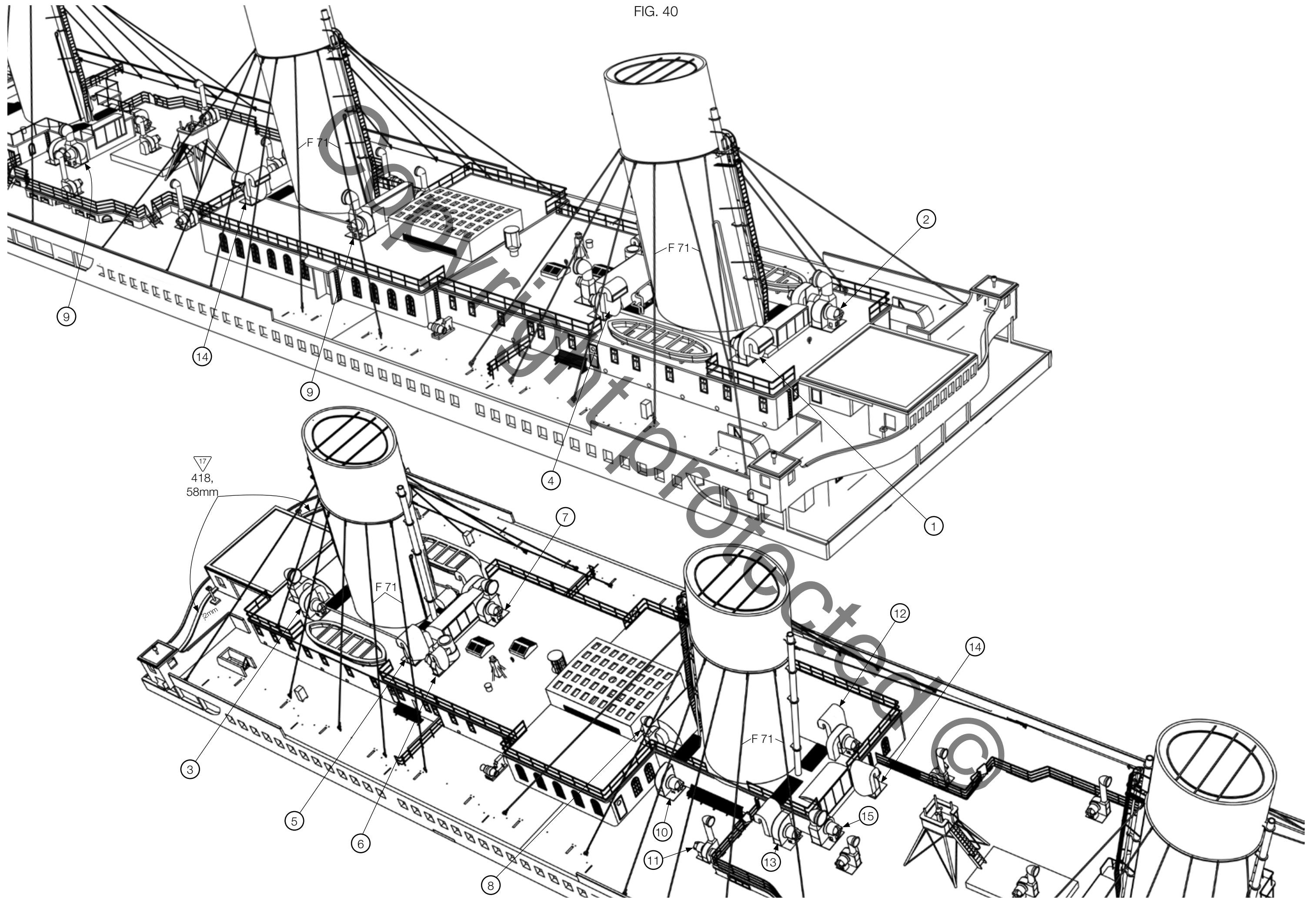


FIG. 41

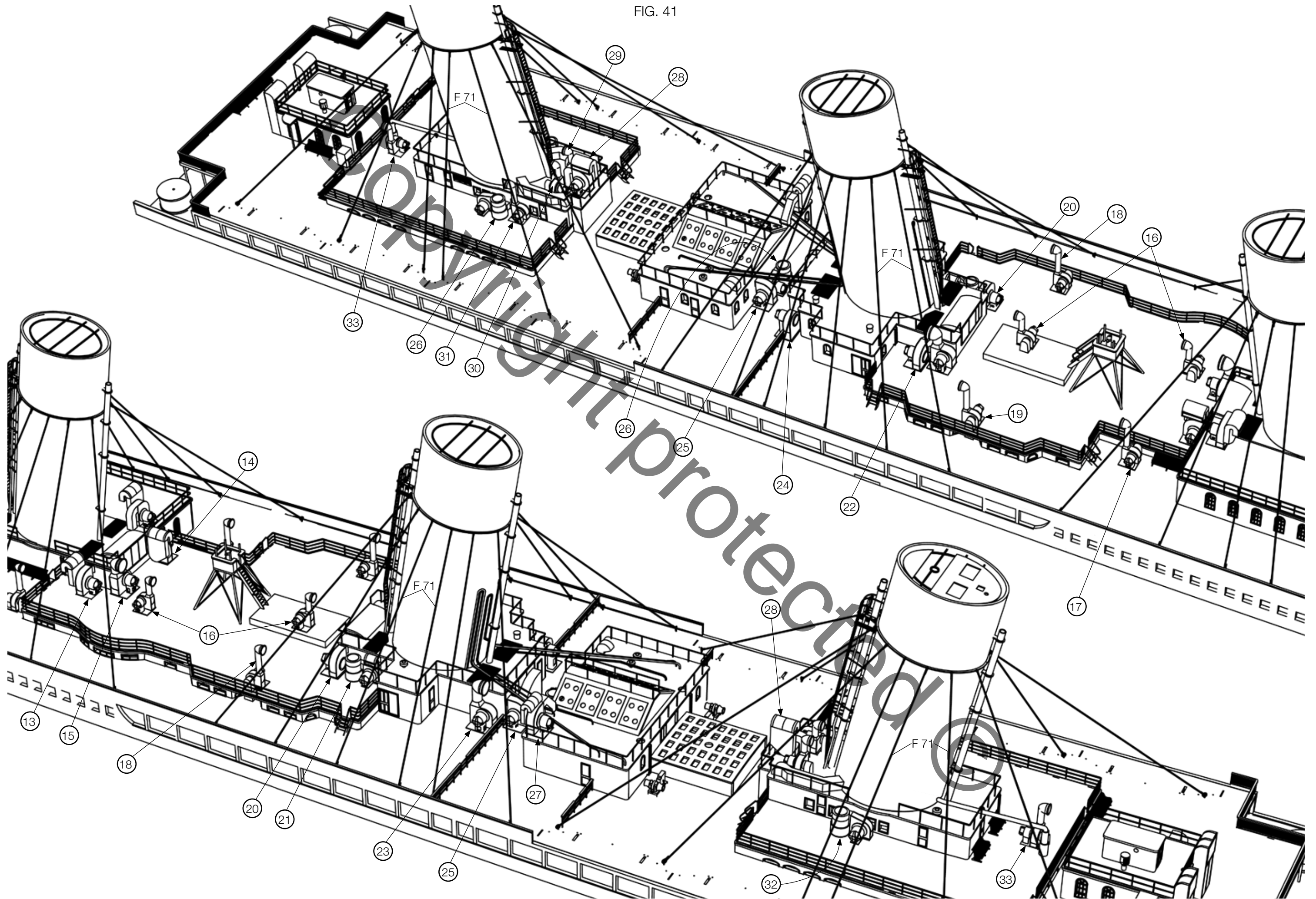


FIG. 42

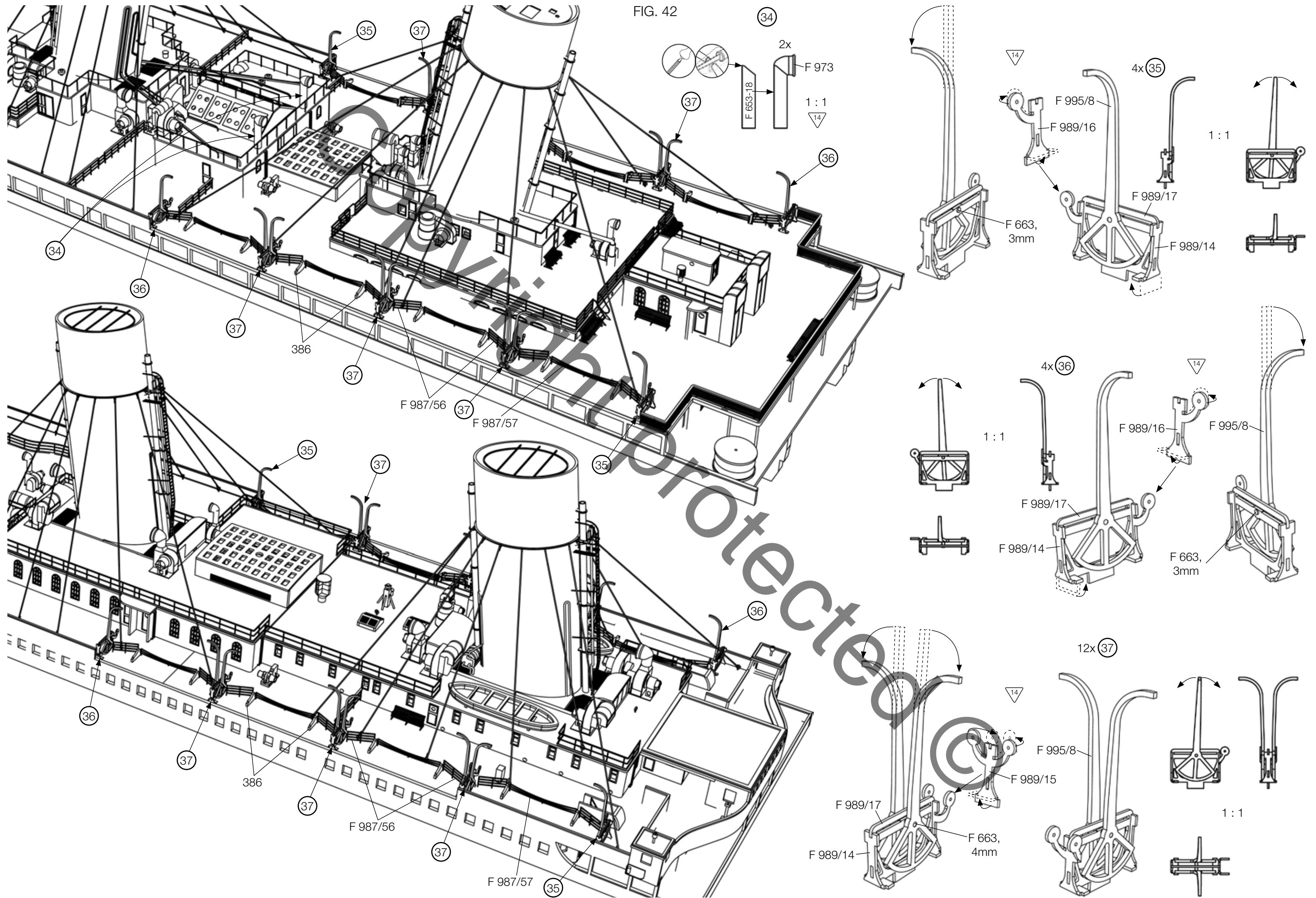


FIG. 43

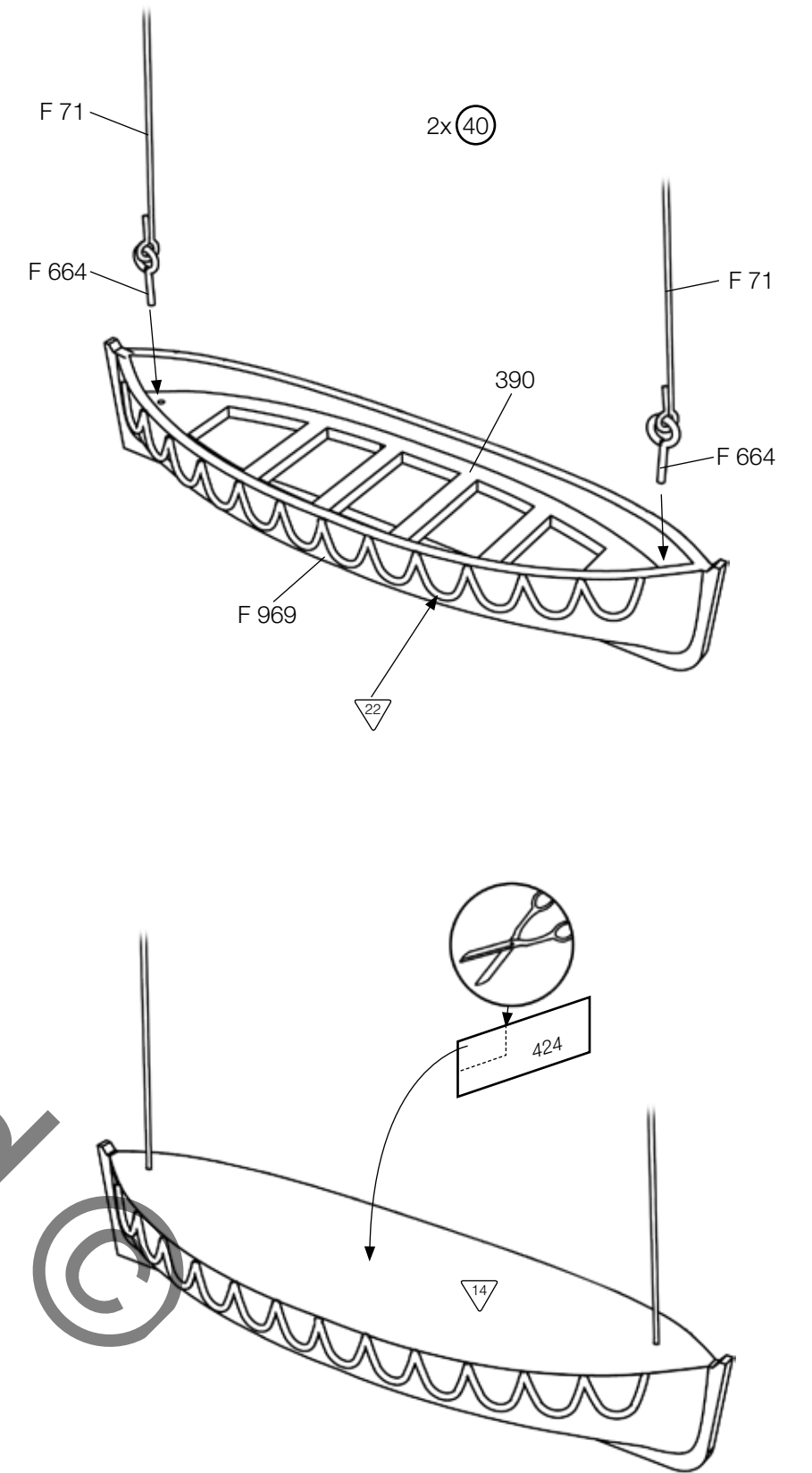
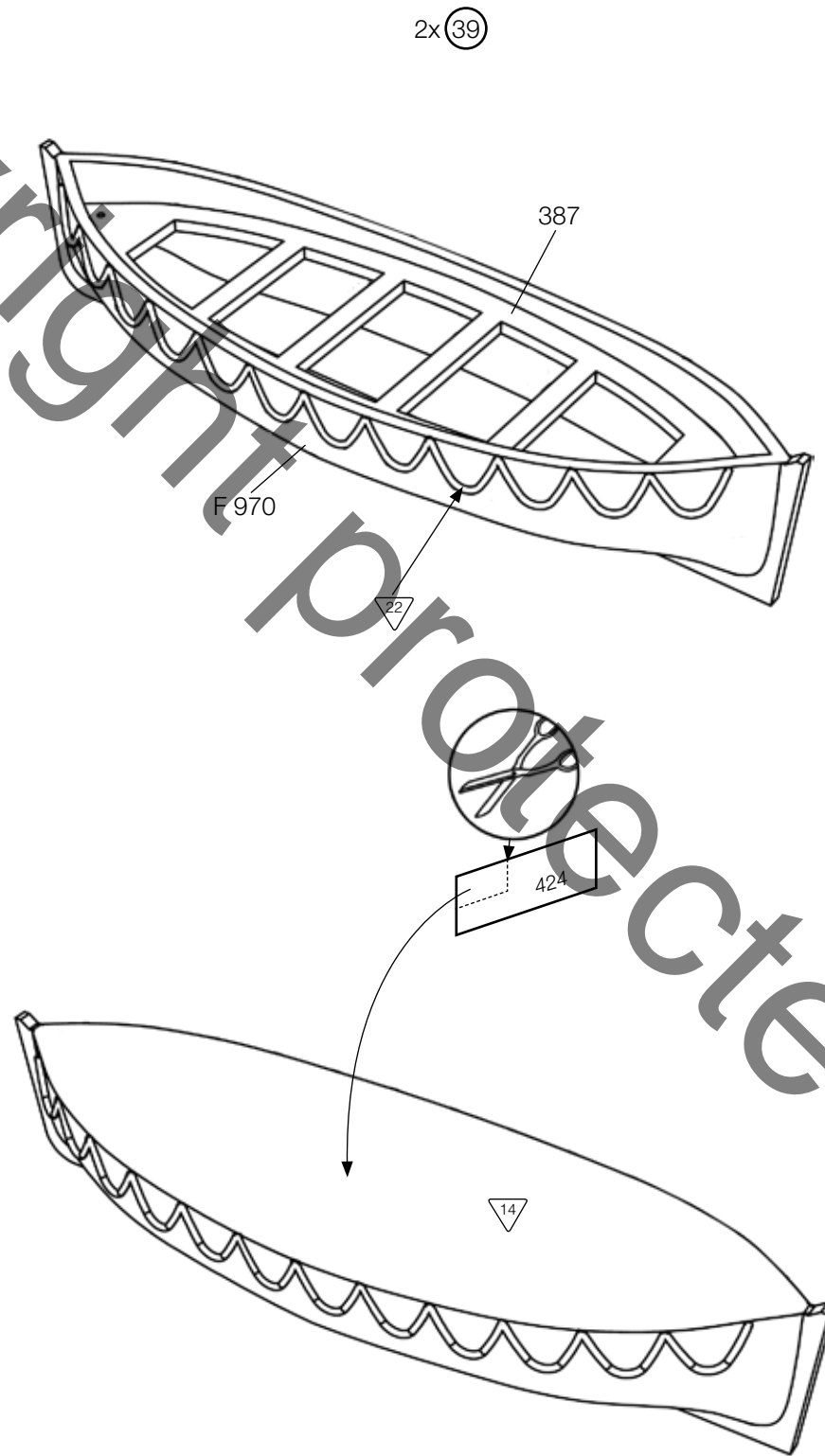
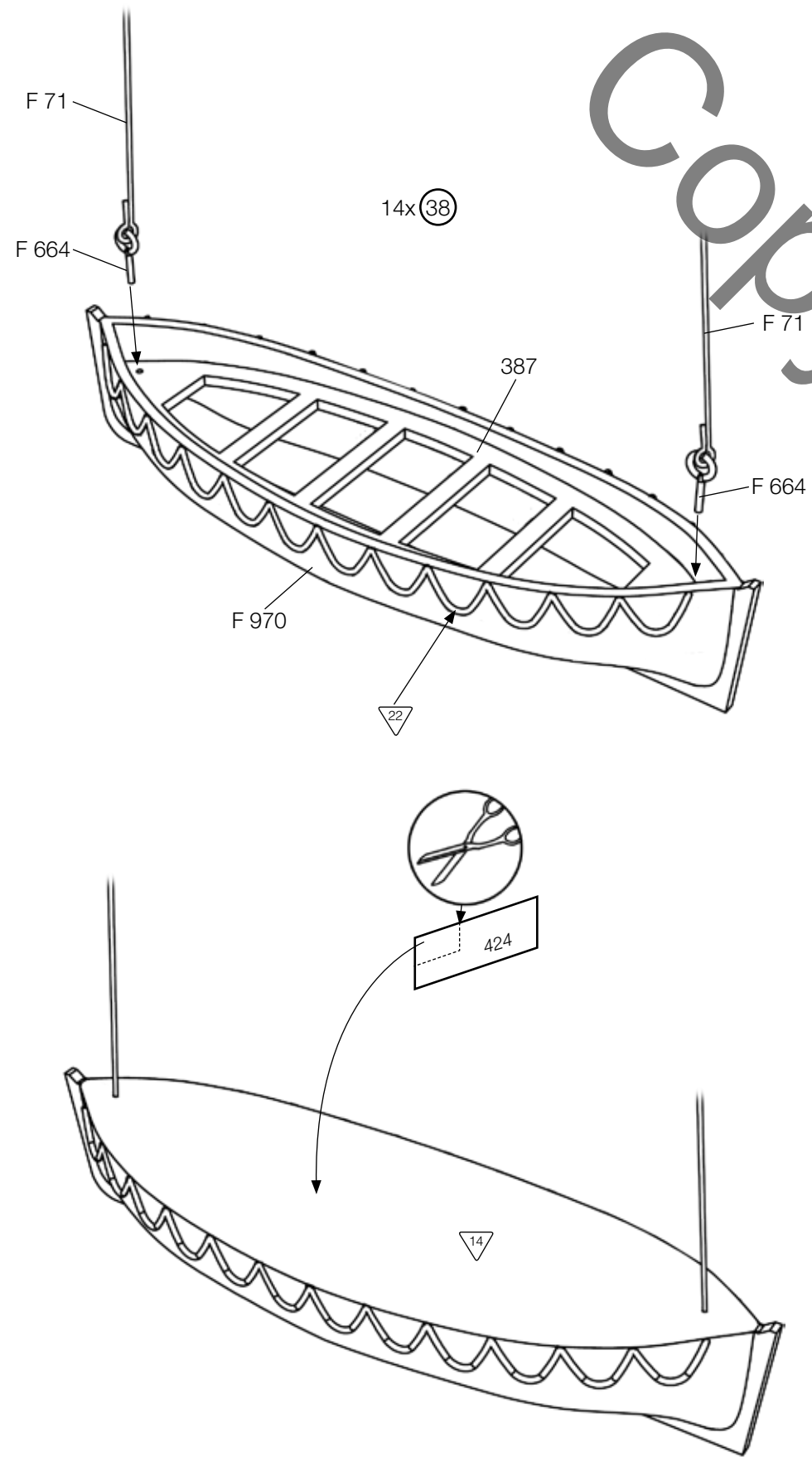


FIG. 44

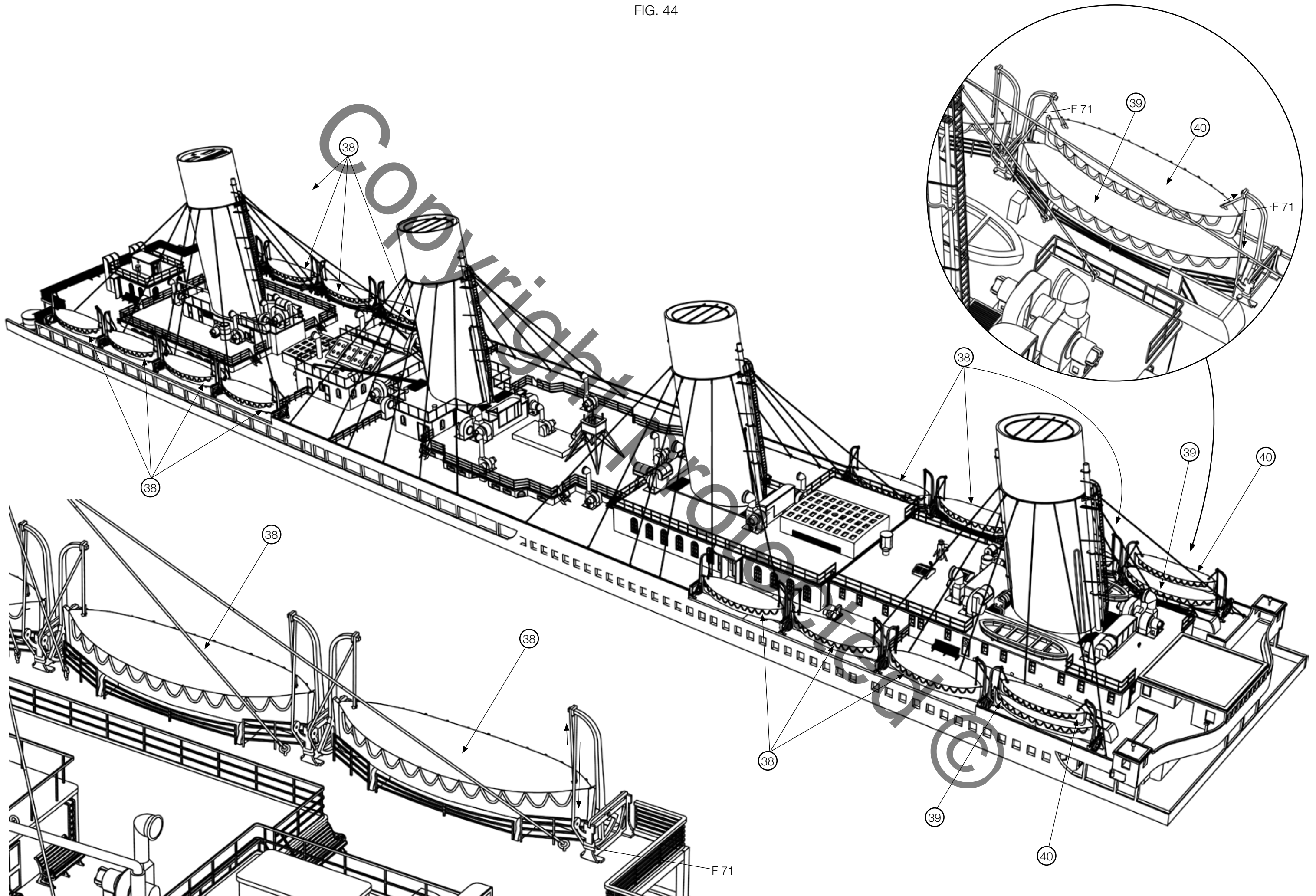


FIG. 46

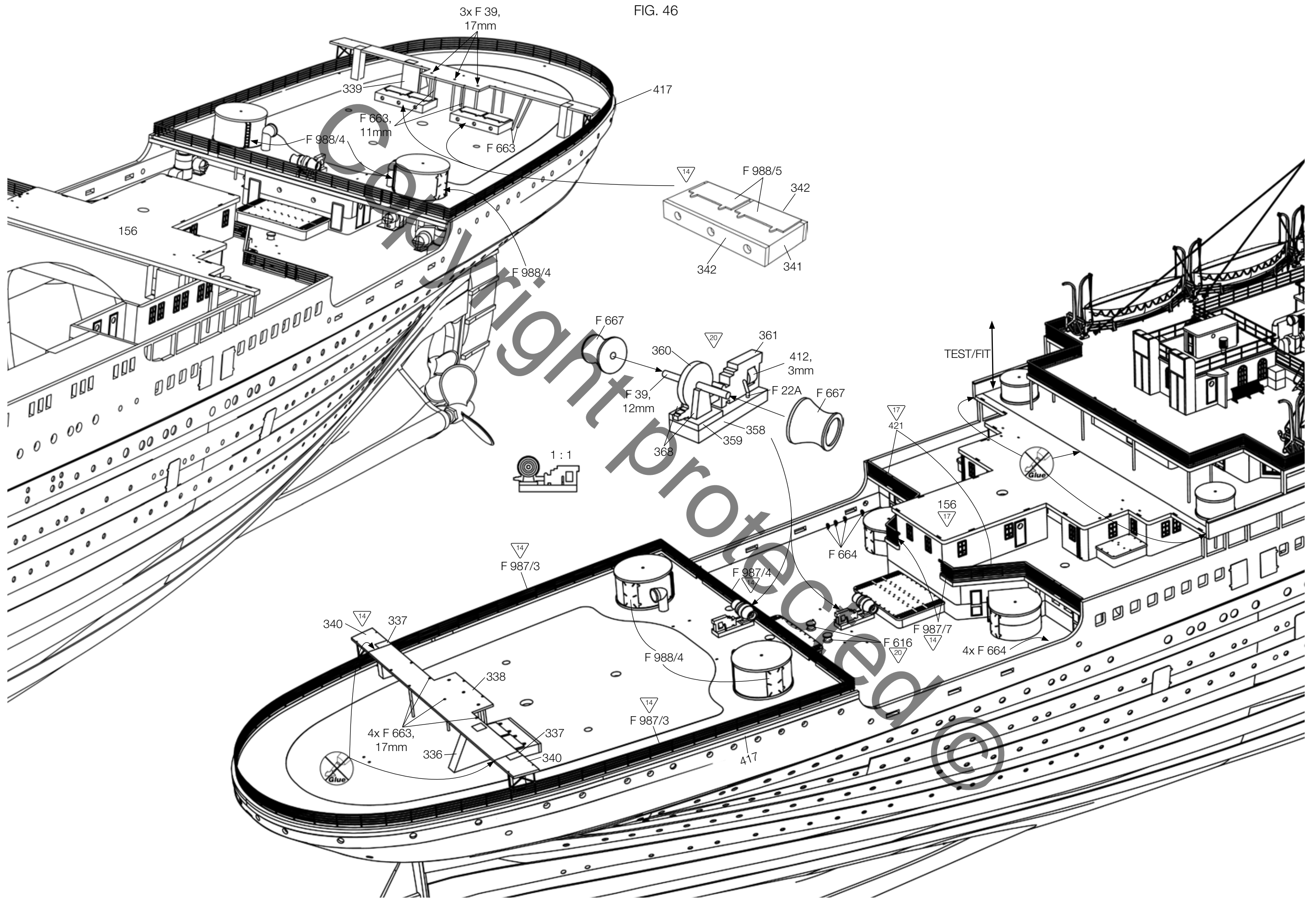
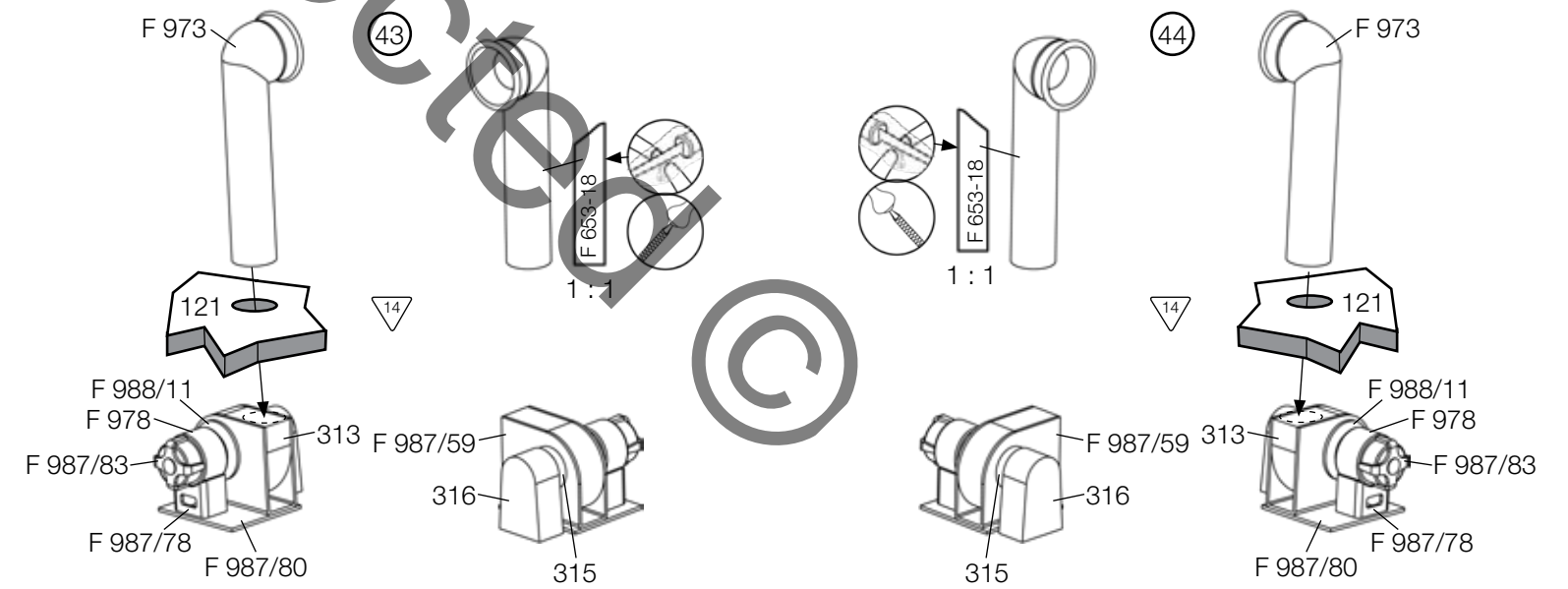
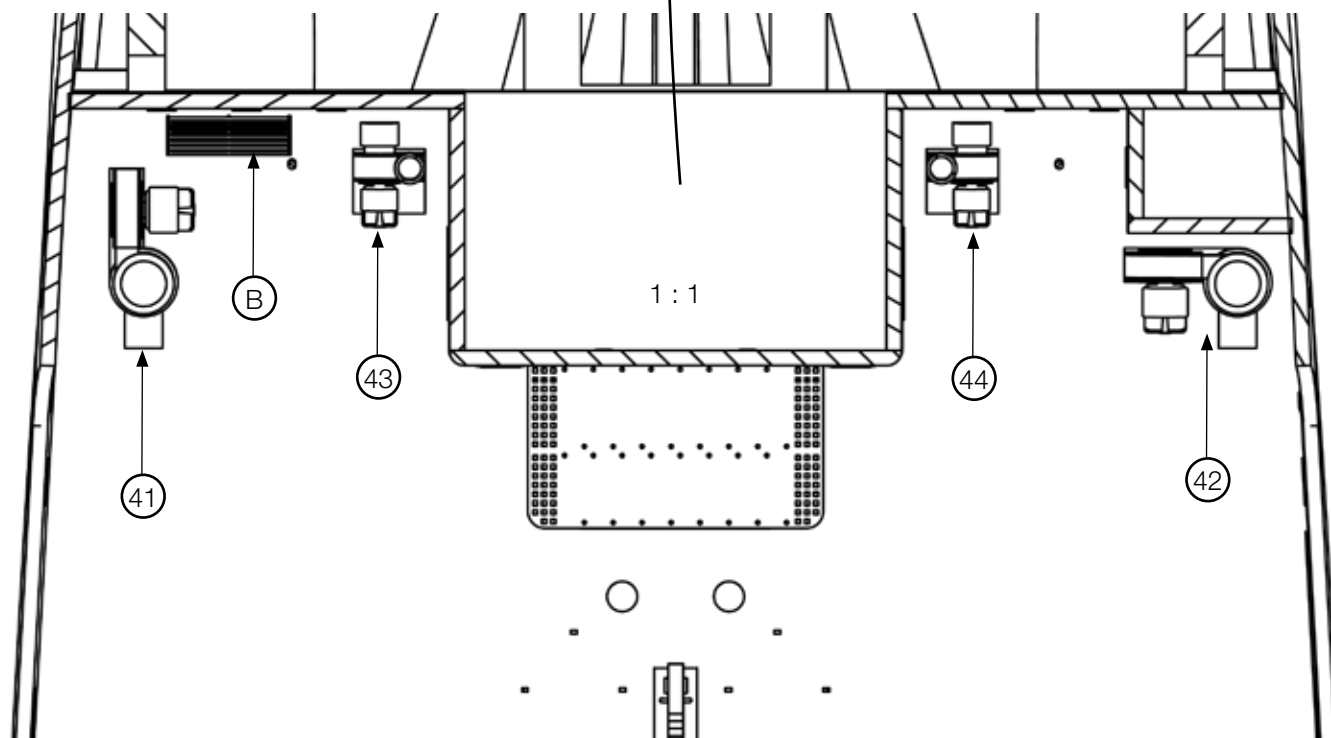
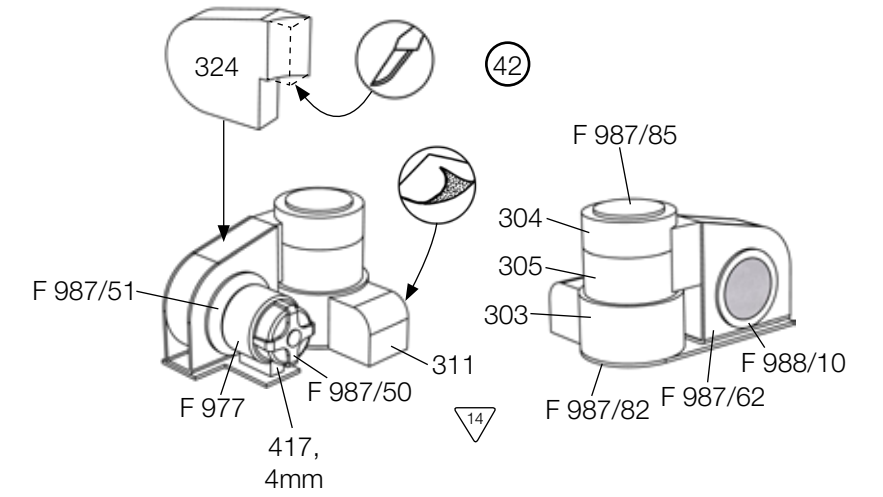
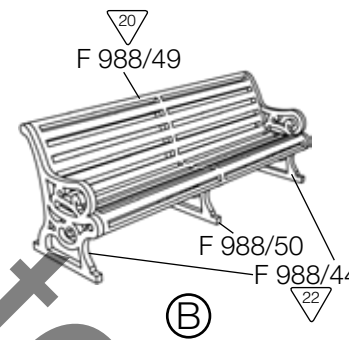
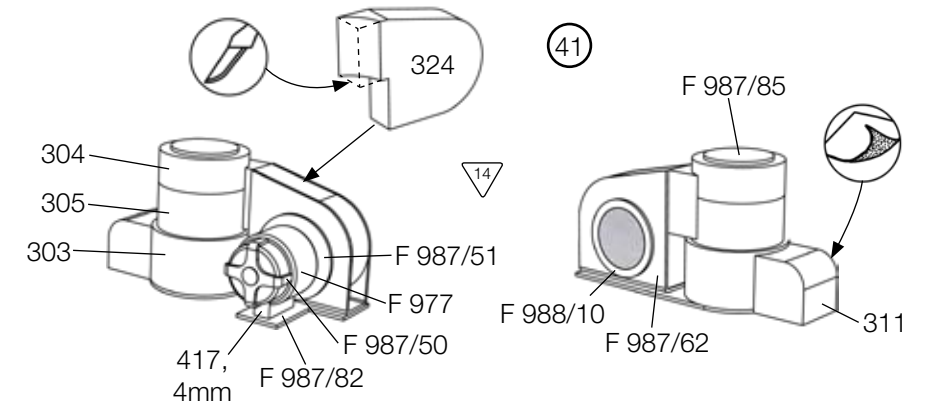
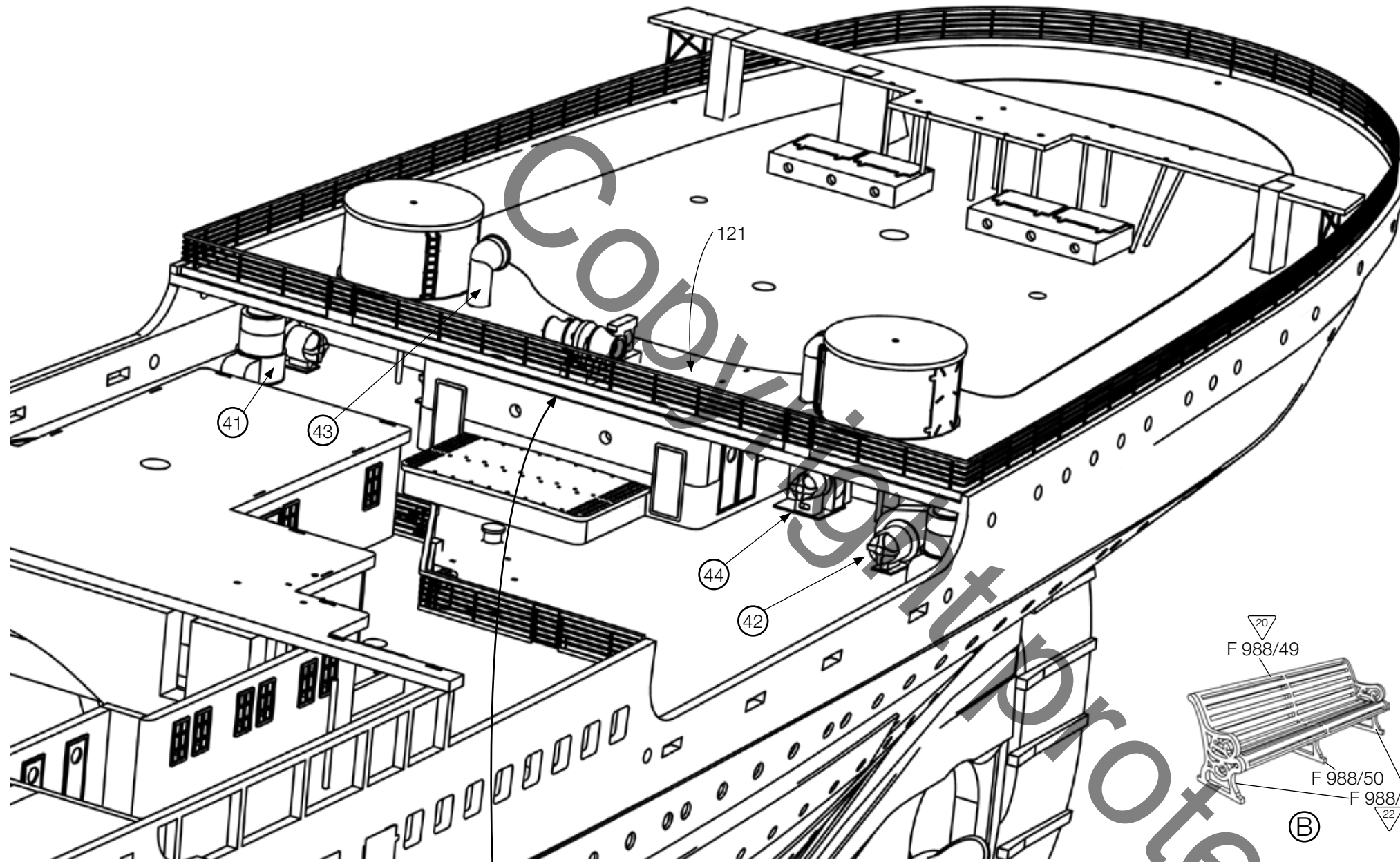


FIG. 47



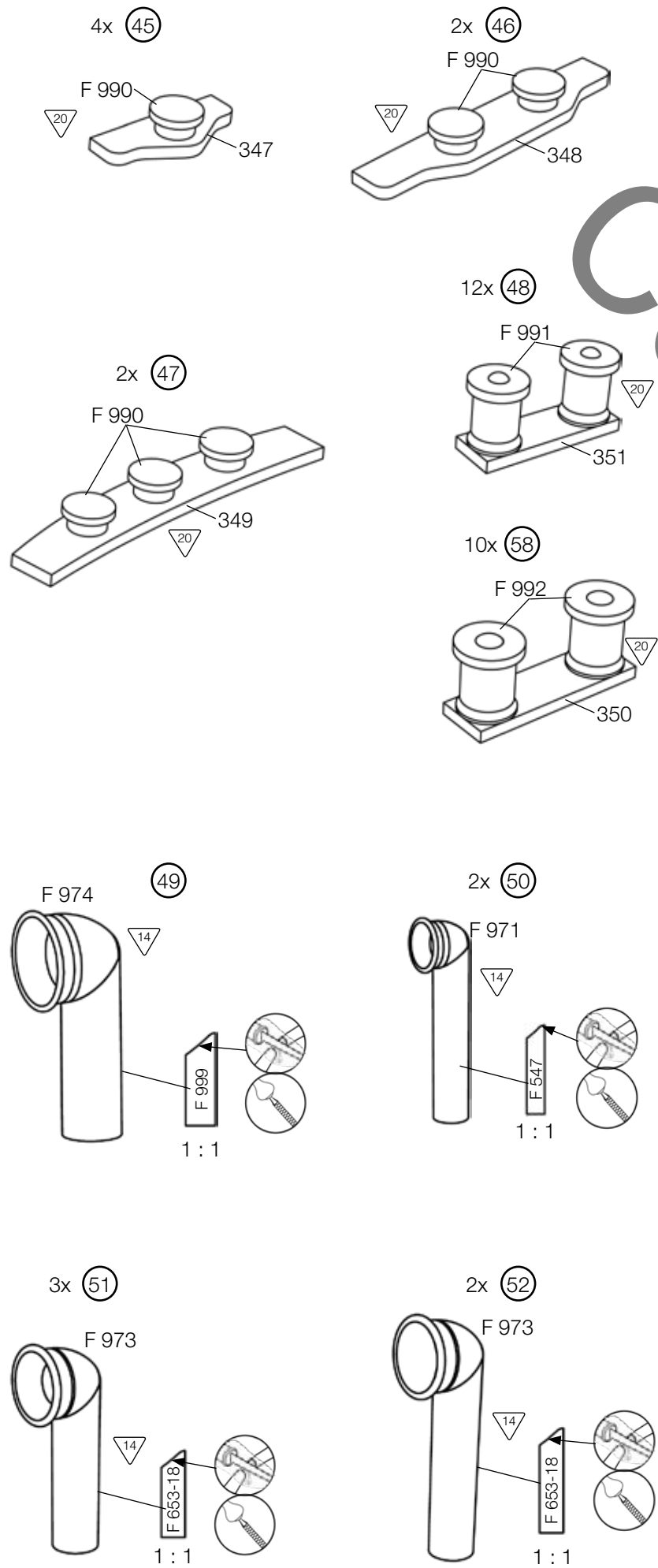


FIG. 48

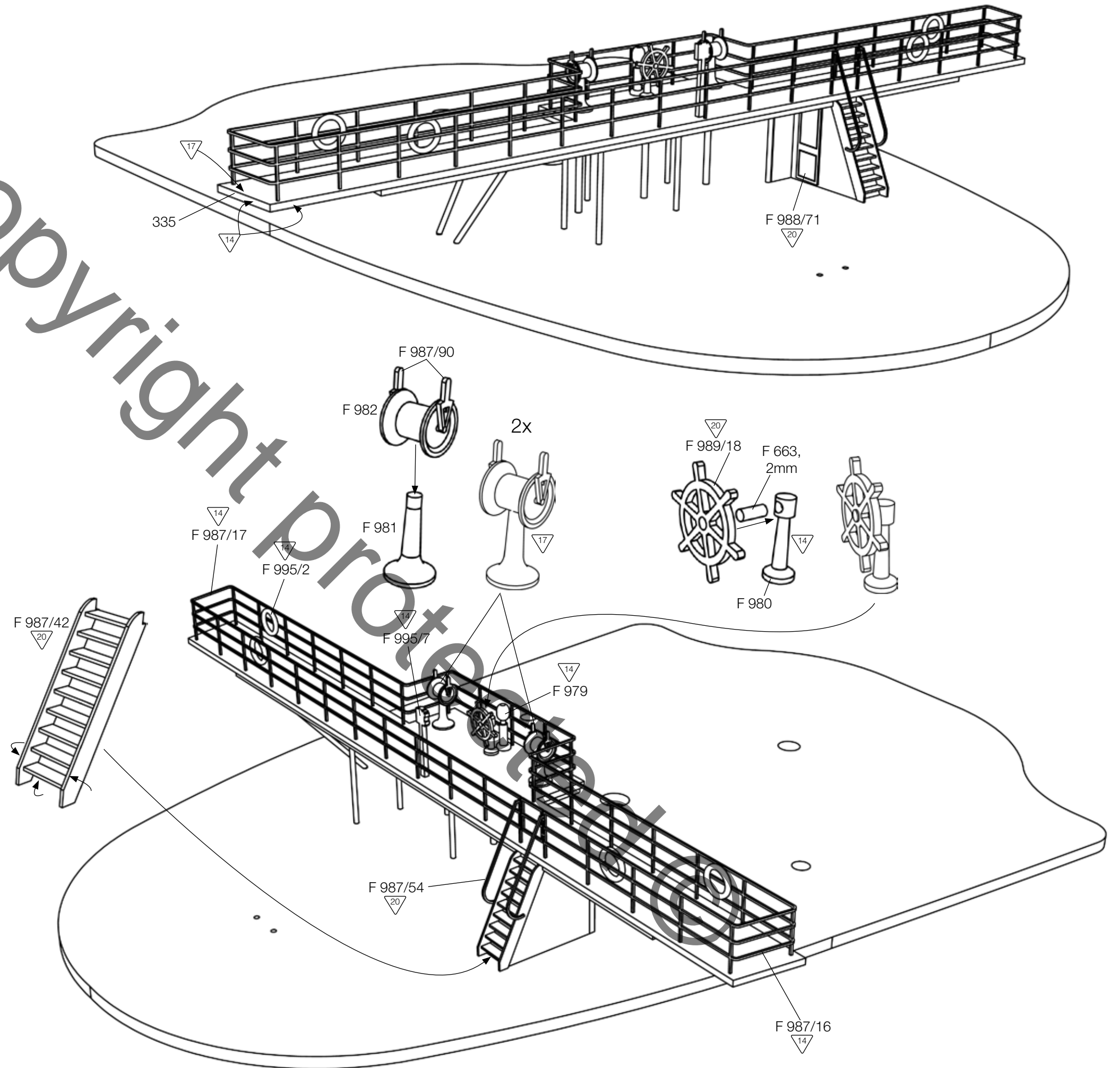


FIG. 49

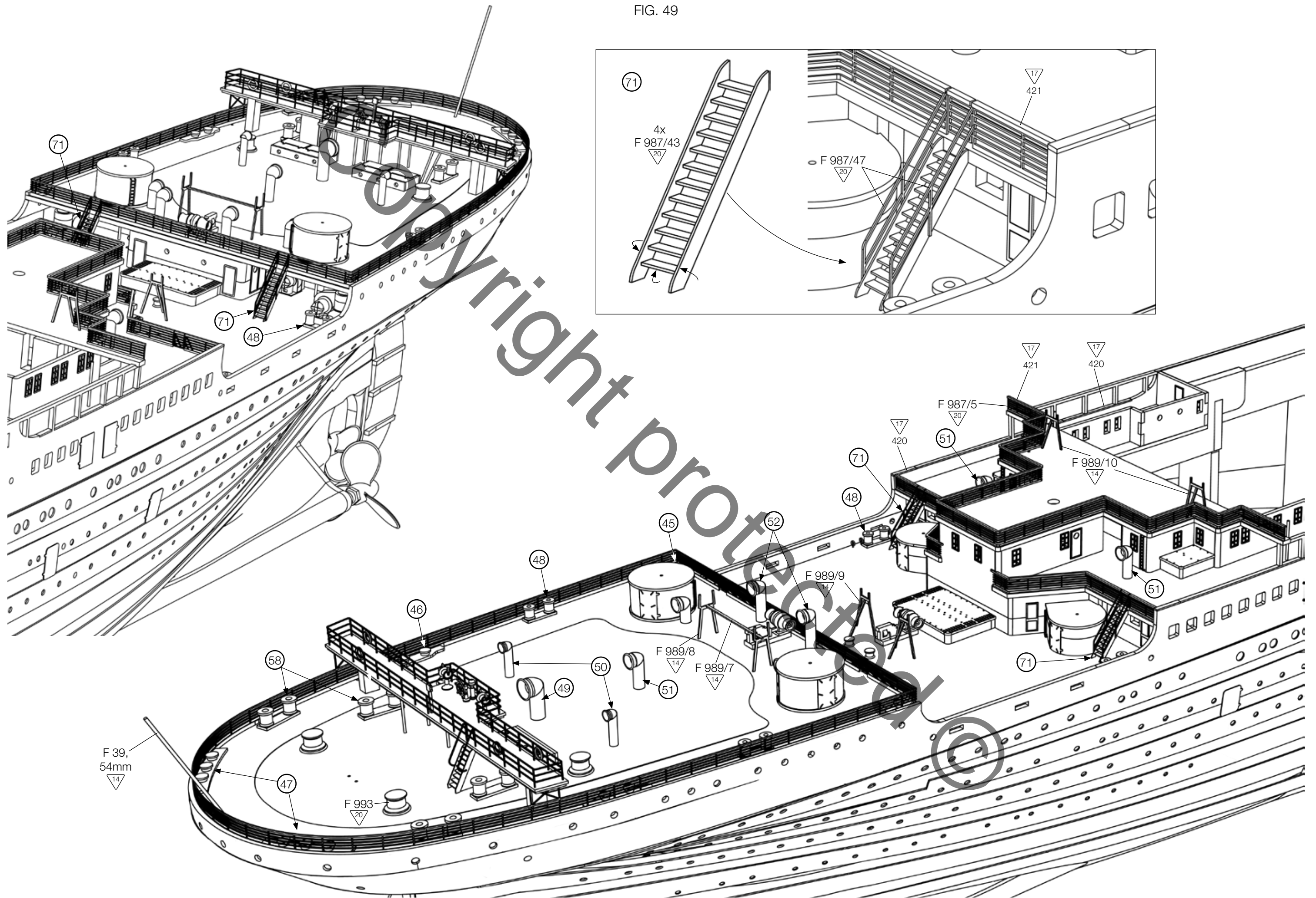


FIG. 51

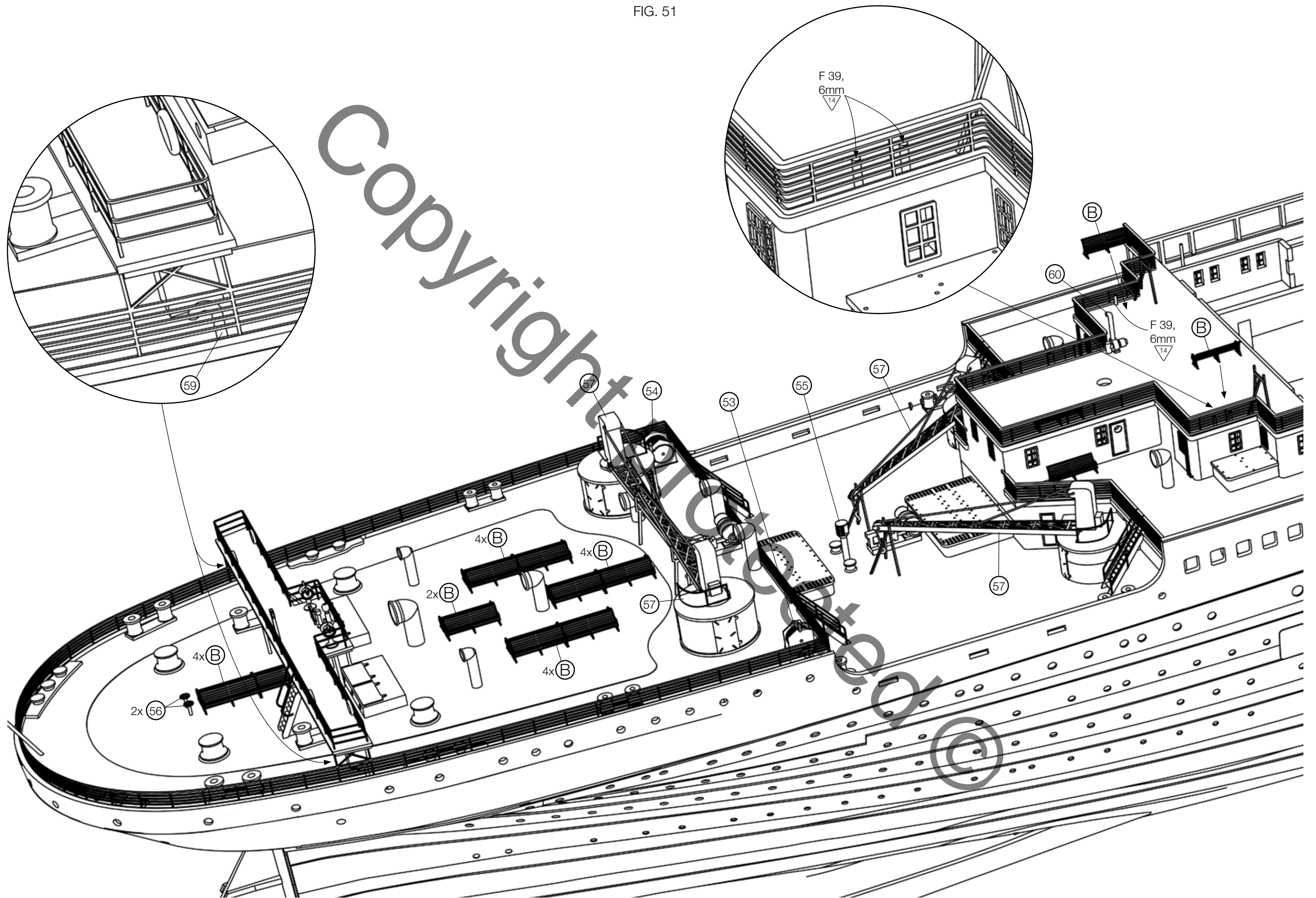


FIG. 52

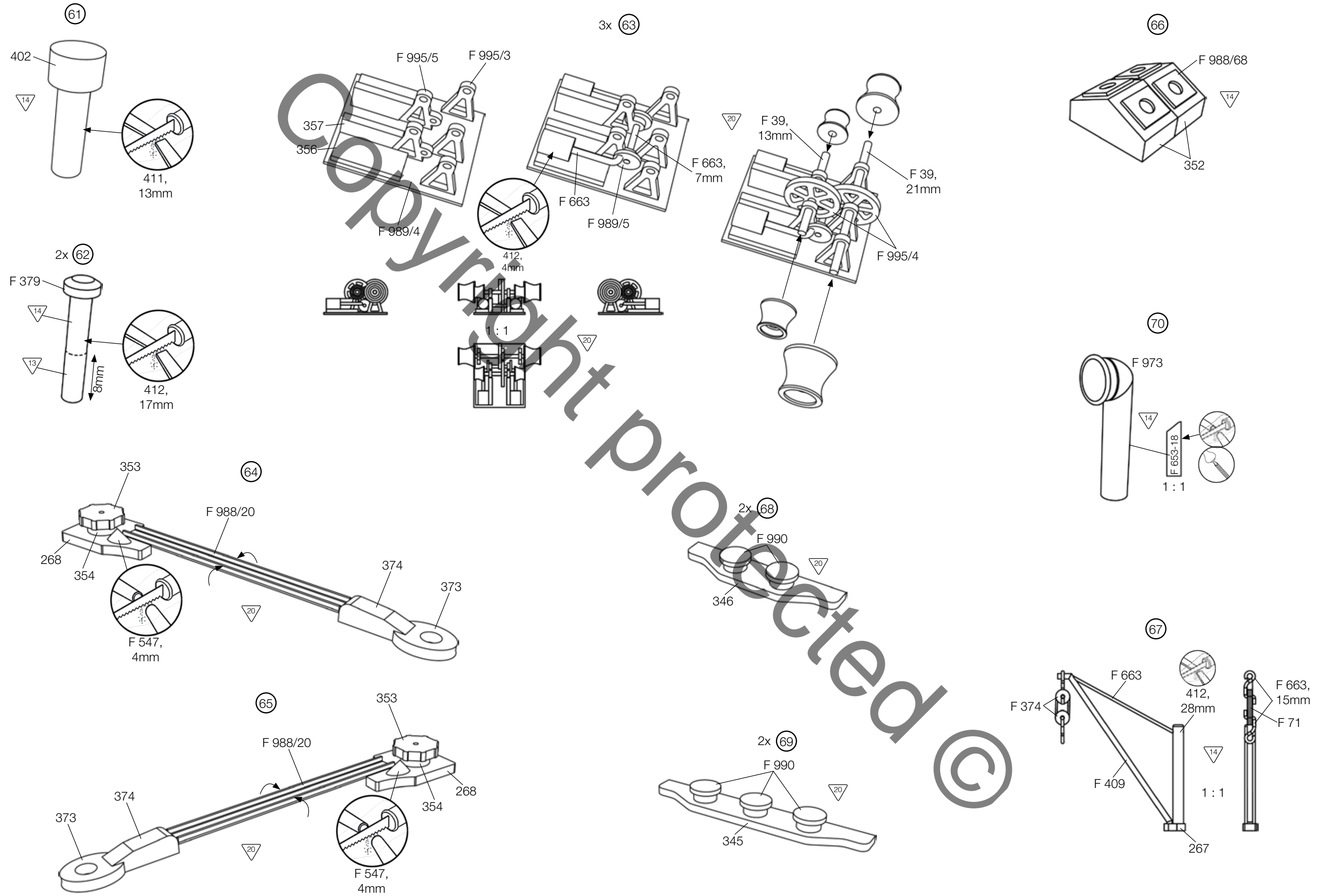
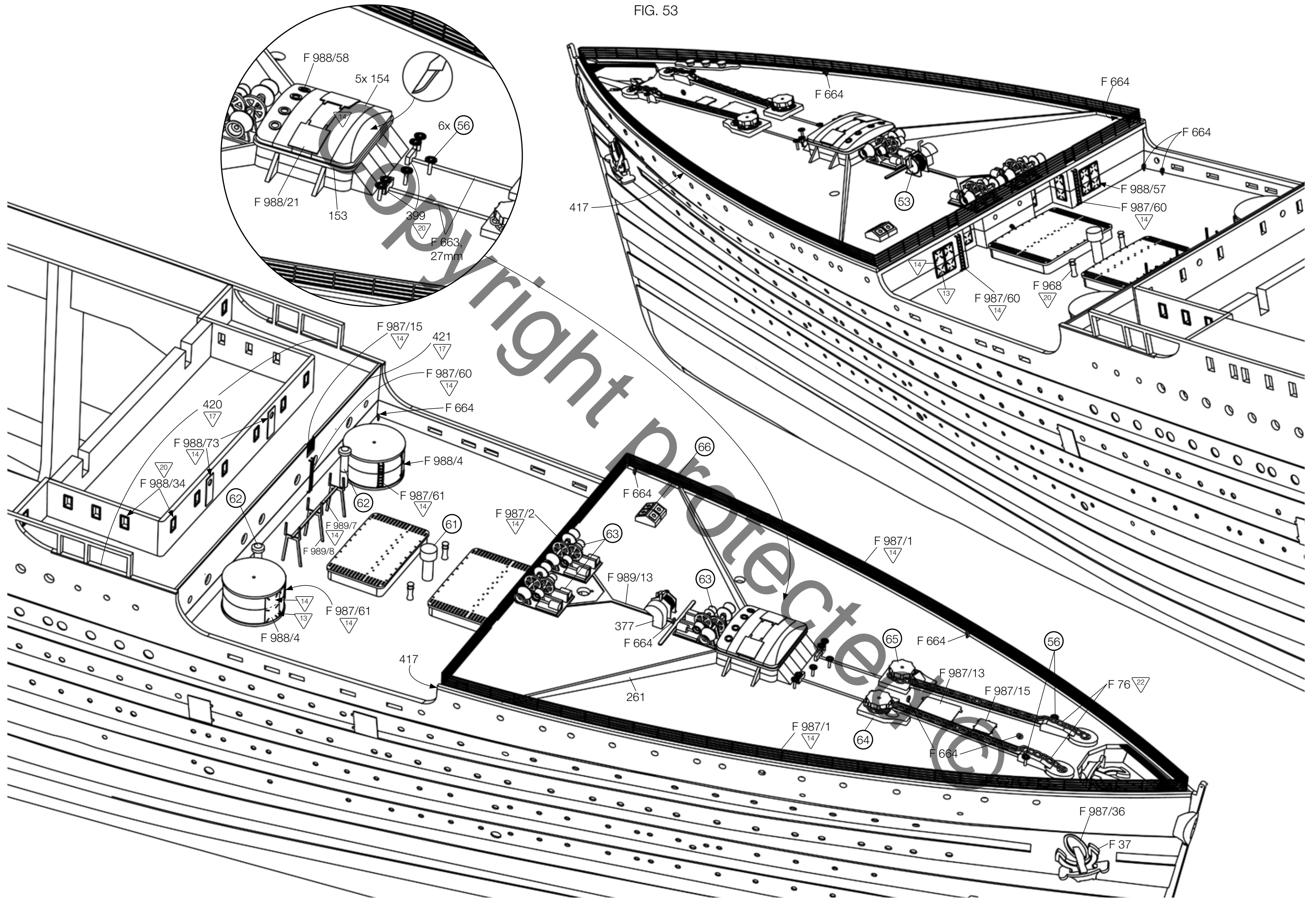


FIG. 53



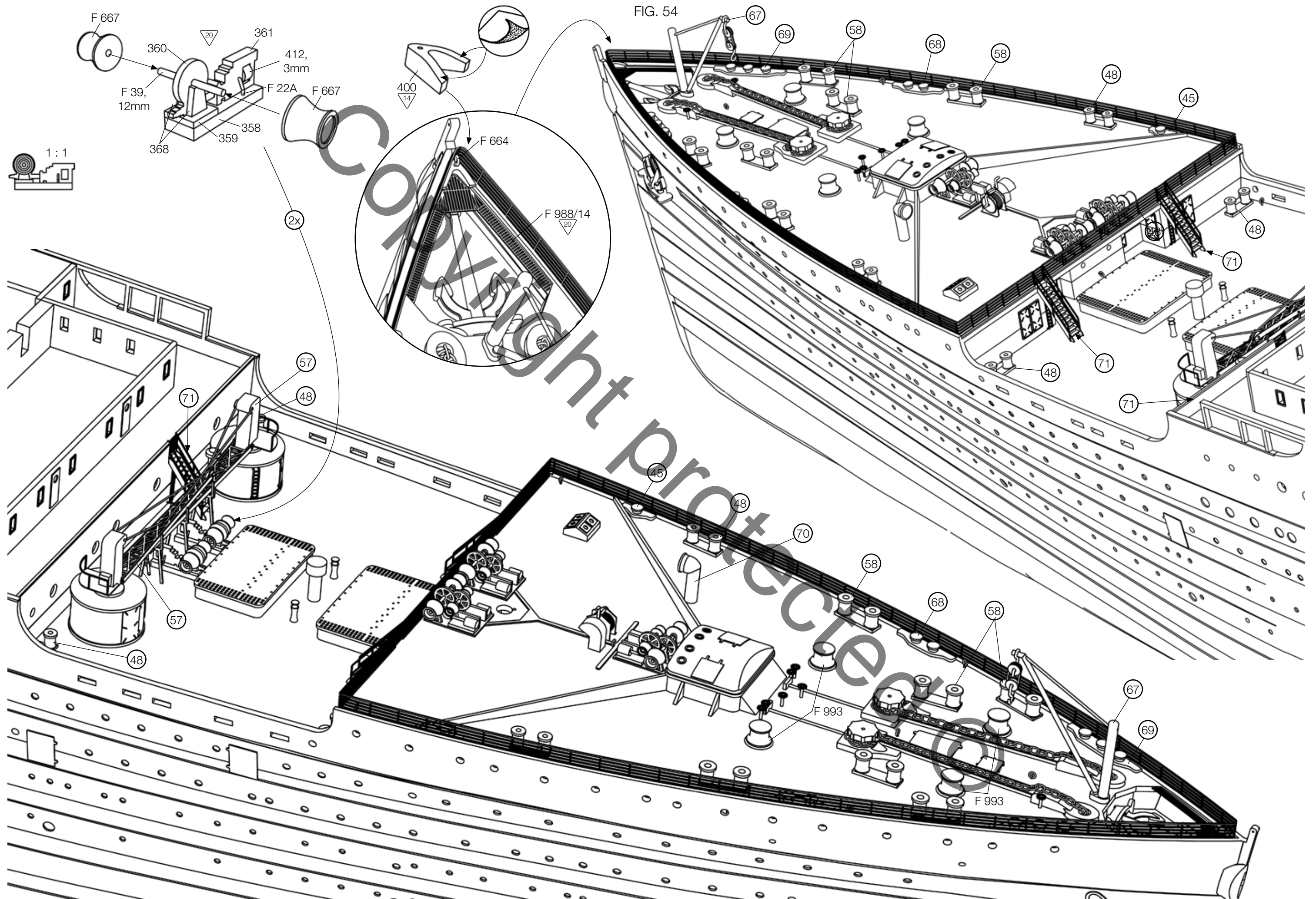


FIG. 55

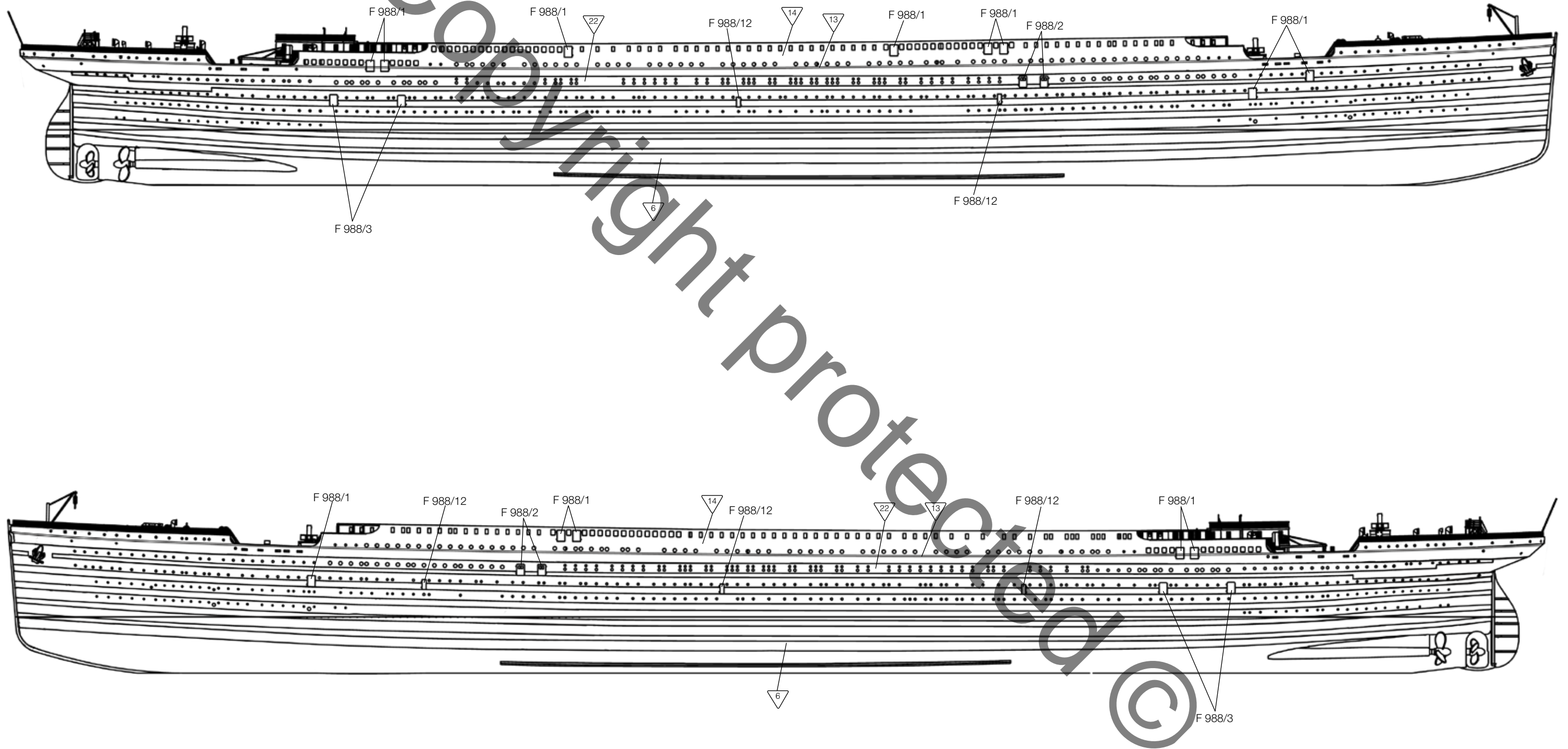


FIG. 56

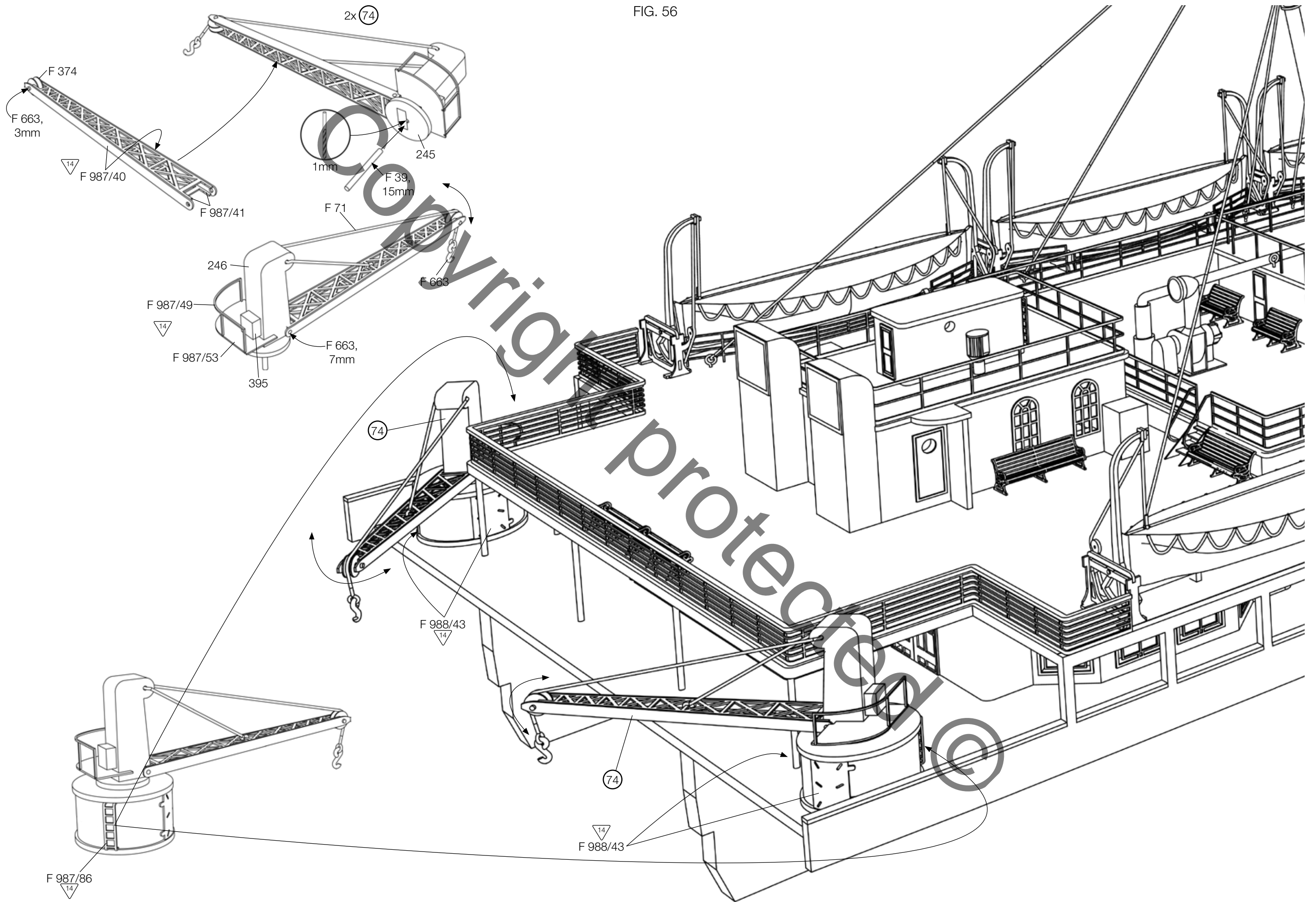


FIG. 57

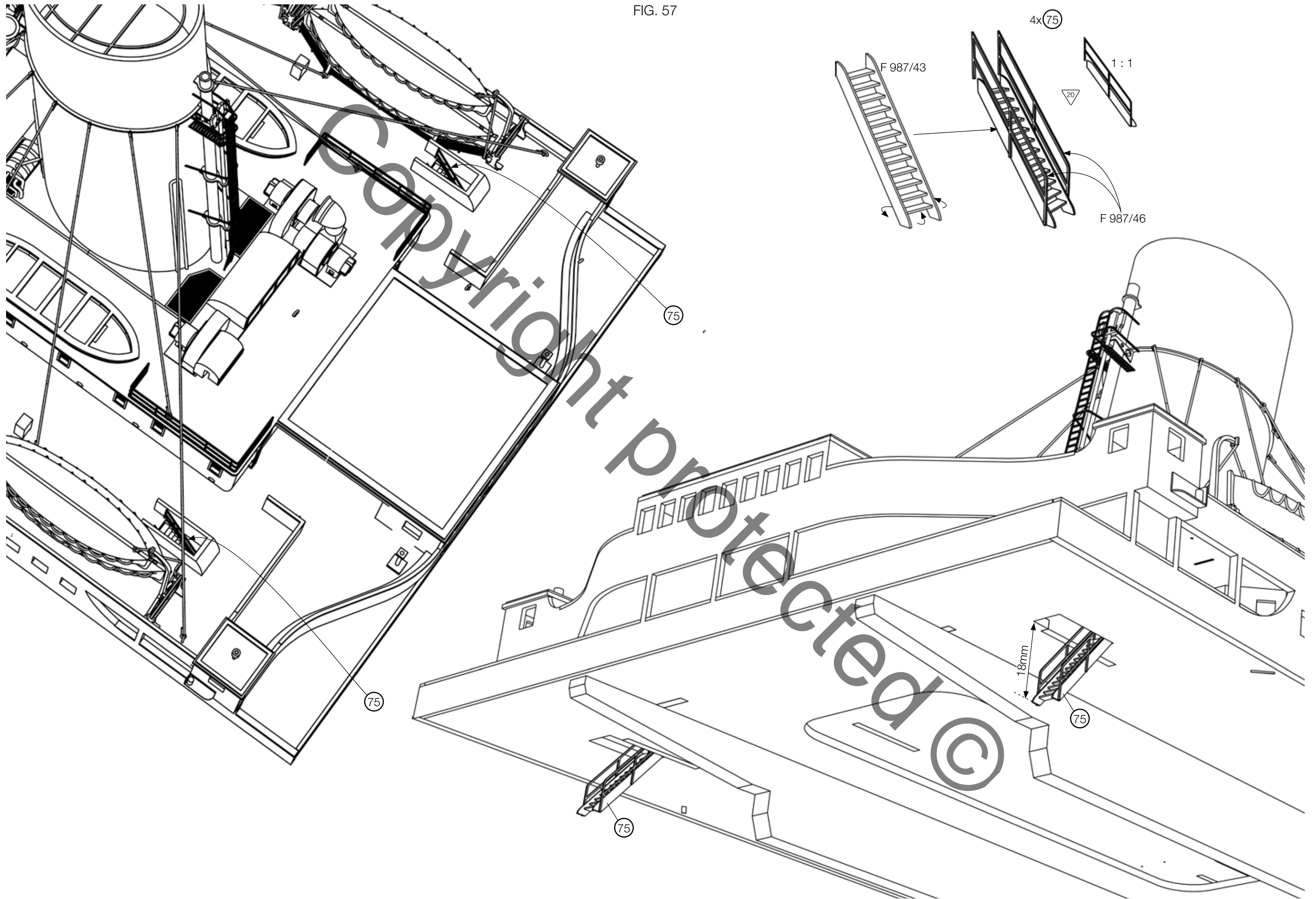


FIG. 58

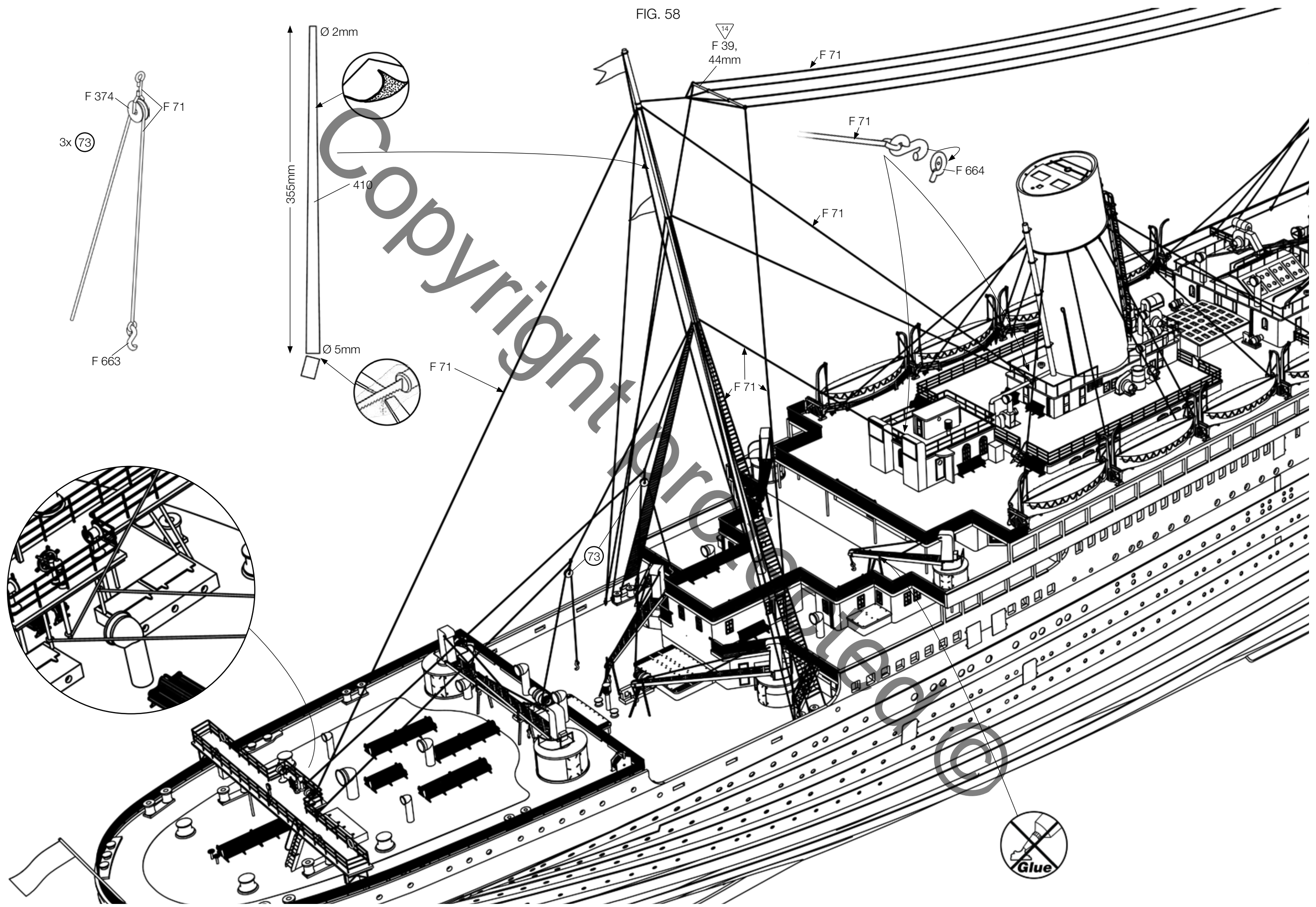


FIG. 59

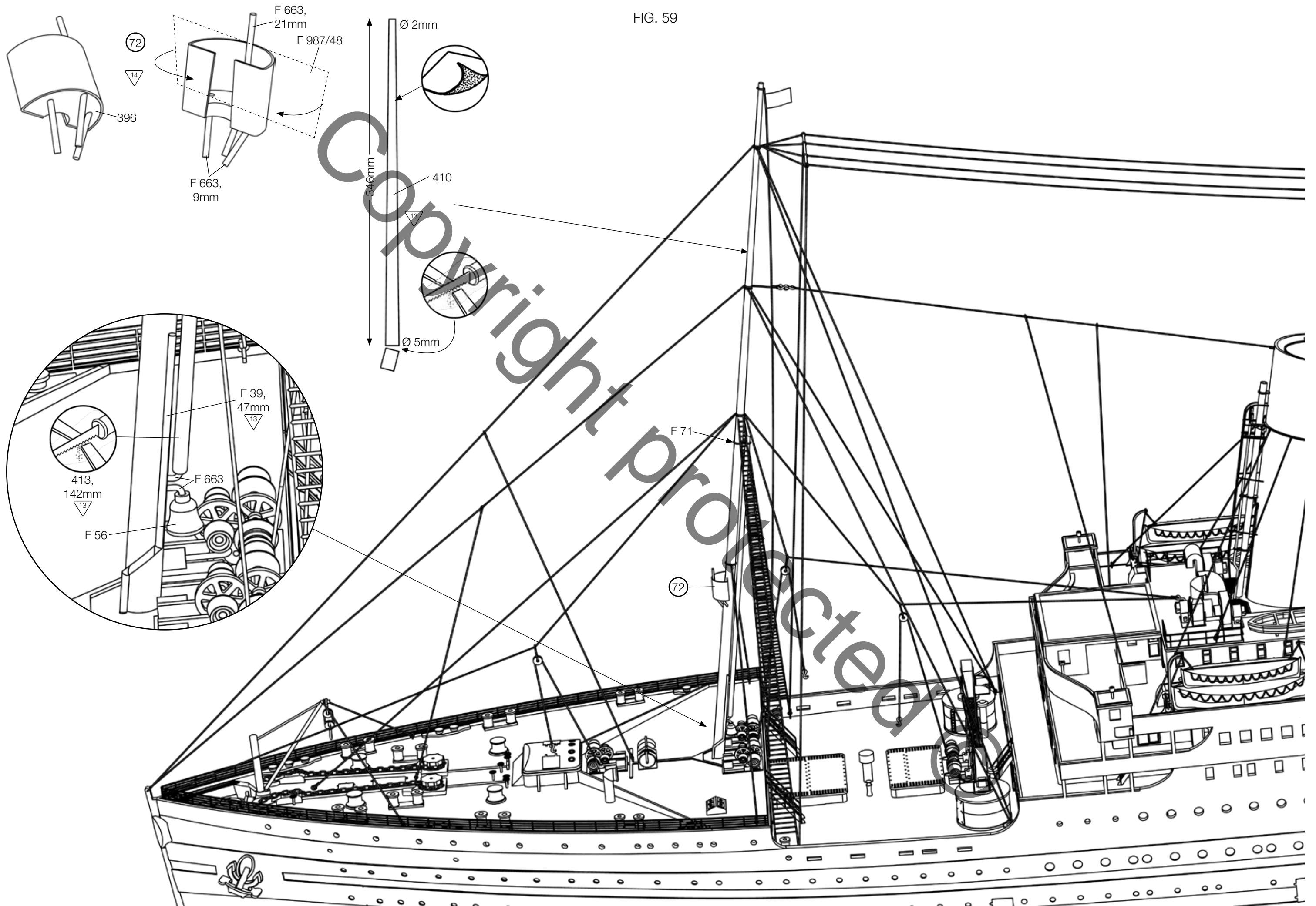


FIG. 60

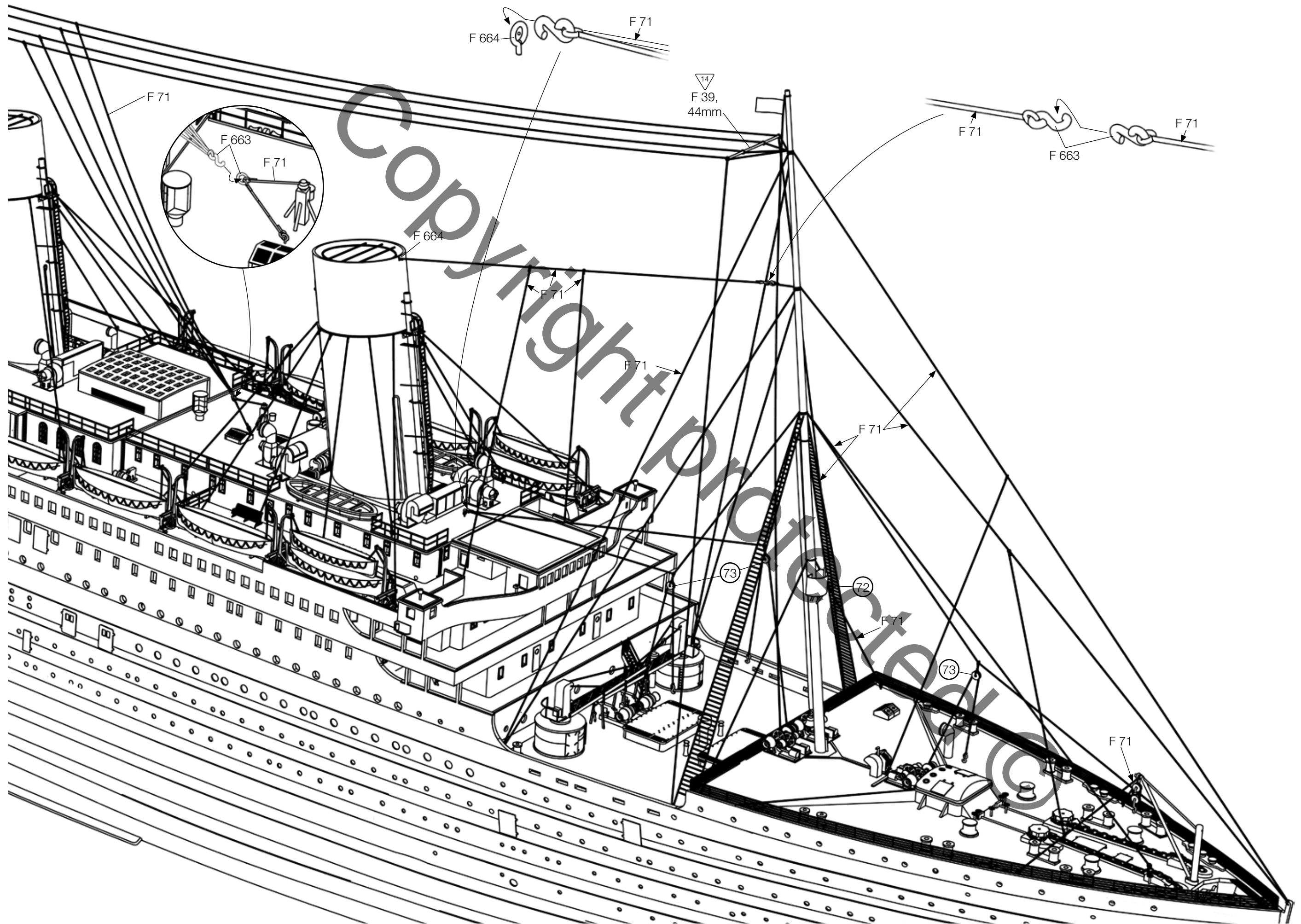
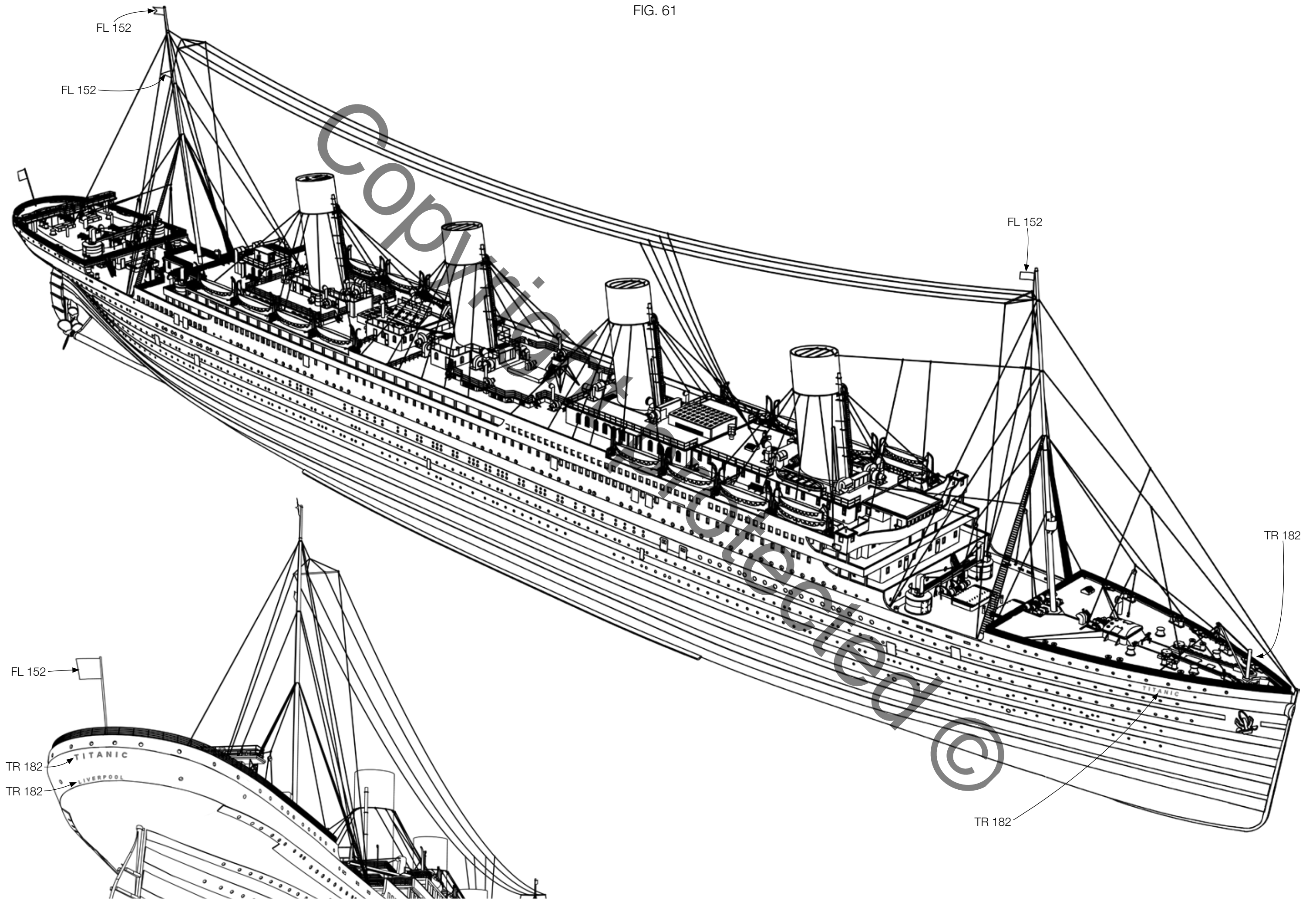


FIG. 61



R/C KIT (BRC5101) ILLUSTRATED AS
GRAY ARE NOT INCLUDED IN KIT

FIG. 62

