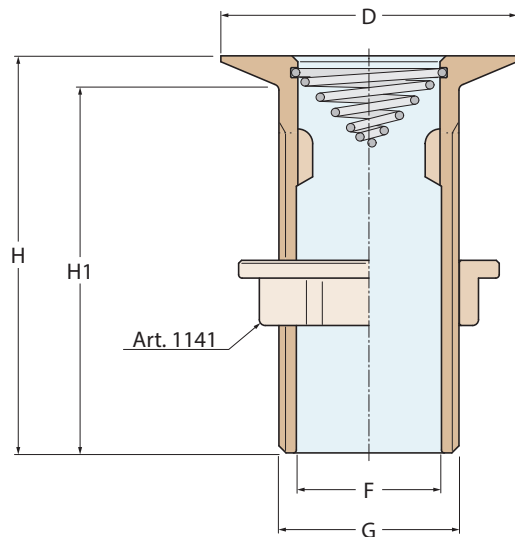


# prese e scarichi a mare water intakes and thru-hulls

**1266**

**Scarico a mare "export" con griglia**  
Thru-hull connection "export" with spiral spring

**Conforme alla norma**  
Compliant with  
**UNI EN ISO 9093-1**



FILETTATURE / THREAD :  
G = ISO 228/1 (BS 2779)

1266	■	■	■	■	■	■
Weight (gr)	102	160	260	360	440	690
H	65	71	76	75	76	80
D	35	50	59	60	66	82
H1	61	67	72	70	71	75
F	15	20	25	33	39	50
G	1/2"	3/4"	1"	1 1/4"	1 1/2"	2"

Ottone sabbiato ■  
Yellow brass