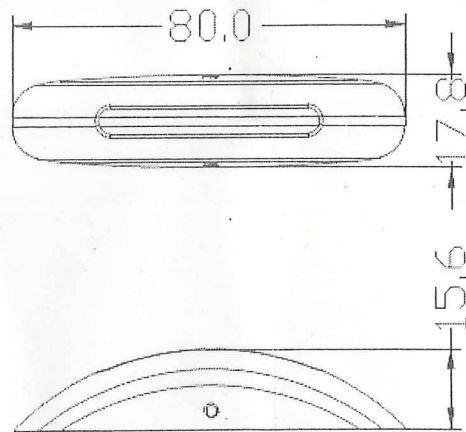
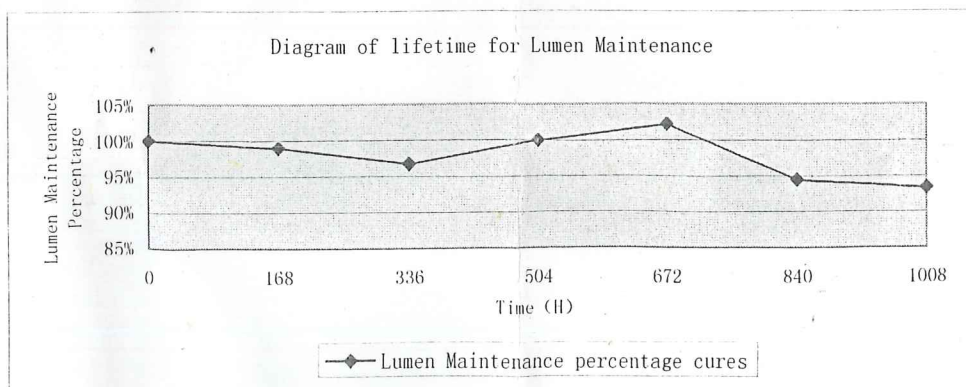


00181-WH	
Material	Housing: Made of zinc alloy
Housing Colour	Chrome plated zinc alloy
LED Colour	<input checked="" type="checkbox"/> Daylight White <input type="checkbox"/> Warm White <input type="checkbox"/> Red <input type="checkbox"/> Yellow <input type="checkbox"/> Blue <input type="checkbox"/> RGB
LED	5PCS TOP
LED Beam Angle	120°
Colour Temperature	<input type="checkbox"/> Warm White: K <input checked="" type="checkbox"/> Daylight White: 5500-6300 K
Features	Surface mount
Working Voltage	DC12V
Wattage	0.4 W
Effective Lumen	8.8Lumen
water-proofing and dust-proofing	IP: 67
life TEST FOR LED LAMP(1000 hours)	Lumen Maintenance Percentage >92%
Operation Temperature of LED	≤65°C (room temperature 25°C)
Certificate	<div style="display: flex; justify-content: space-around; align-items: center;"> <div style="border: 1px solid black; padding: 2px;">UL</div> <div style="border: 1px solid black; padding: 2px;">CE</div> <div style="border: 1px solid black; padding: 2px;">RoHS</div> <div style="border: 1px solid black; padding: 2px;">TUV</div> </div>



LIFETIME FOR LUMEN MAINTENANCE



Testing Module: Lasting 1000 hrs, Temperature Range 36-40°C, Humidity: 60%RH, Input Voltage: DC12V