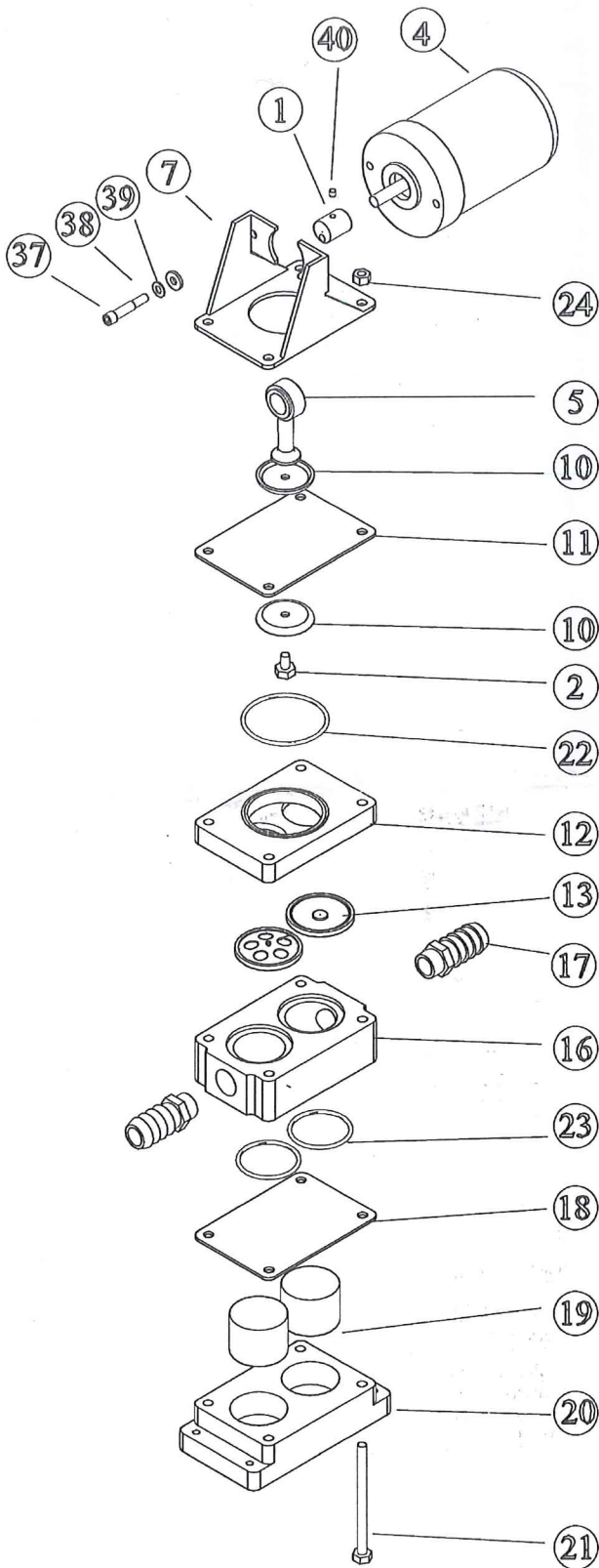


JDREX S15



POS	DESCRIZIONE//ITEM	DESCRIPTION	Q.ty
1	ECCENTRICO	ECCENTRIC	1
2	VITE	SCREW	1
4	MOTORE VOLT 12-24	MOTOR VOLT 12-24	1
4	MOTORE VOLT 230-230- 400	MOTOR VOLT 230-230-400	
5	BIELLA CON CUSCINETTO	CONNECTING ROD WITH BEARING	1
7	SUPPORTO	SUPPORT	1
8	SPAZZOLA	BRUSH	
9	COPRISPAZZOLA	COVER BRUSH	
10	DISCO	DISK	2
11	MEMBRANA	DIAPHRAGM	1
11	MEMBRANA EPDM	DIAPHRAGM EPDM	1
11	MEMBRANA VITON	DIAPHRAGM VITON	1
12	CORPO PORTA MEMBRANA	BODY FOR DIAPHRAGM	1
13	VALVOLA	VALVE	2
13	VALVOLA EPDM	VALVE EPDM	2
13	VALVOLA VITON	VALVE VITON	2
16	CORPO PORTA VALVOLE	BODY FOR VALVE	1
17	PORTAGOMMA	HOSETAIL COUNTER DIAPHRAGM	2
18	CONTRO MEMBRANA	C. DIAPHRAGM EPDM	1
18	CONTRO MEMBR. EPDM	C. DIAPHRAGM EPDM	1
18	CONTRO MEMBR. VITON	C. DIAPHRAGM VITON	1
19	POLMONE SPUGNA	SPLONGE	2
20	BASE	BASE	1
21	VITE	SCREW	4
22	O-RING CORPO OR CORPO PORTA VALVOLA	O-RING BODY O-RING BODY FOR VALVE	1
23	VALVOLA	VALVE	2
24	DADO INOX 6MA AUTOBLOC.	NUT S.S.6MA	4
25	DADO INOX 6 MA	NUT S.S.6MA	
26	ROND. GROVER INOX 6MA	WASHER S.S. 6MA	
27	VENTOLA	FAN	
28	COPRIVENTOLA	COVER FAN	
37	VITE INOX 5X16	SCREW S.S.5X16	2
38	RONDELLA INOX 5 MA	WASHER S.S. 5 MA	2
39	RONDELLA INOX M6	WASHER S.S. M6	2
40	GRANO M5X6 FERRO	SCREW M5X6	1
40	GRANO M6X6 FERRO	SCREW M6X6	
01KIT	KIT GUARNIZIONI (pos.11x1+18x1+13x2+22x1+23x2)	SERVICE KIT (pos.11x1+18x1+13x2+22x1+23x2)	1