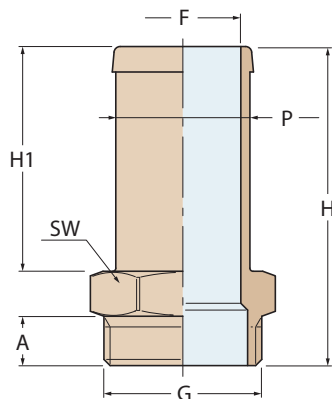


1020

Portagomma maschio serie "Export"
Hose connector "Export" series with male head

Omologato RINA
RINA validated

Conforme alla norma
Compliant with
UNI EN ISO 9093-1



FILETTATURE / THREAD :
G = ISO 228/1 (BS 2779)

1020	■	■	■	■	■	■	■	■	■	■	■
Weight (gr)	20	30	38	50	46	58	65	63	73	80	90
SW	17	17	20	20	23	23	23	28	28	28	28
H1	43	43	43	43	43	43	43	43	43	43	43
H	57	57	59	59	61	61	61	61	61	61	61
F	6	9	9	12	9	12	15	9	12	15	21
A	9	9	10	10	12	12	12	12	12	12	12
P	8	12	12	16	12	16	19	12	16	19	25
G	1/4"	1/4"	3/8"	3/8"	1/2"	1/2"	1/2"	3/4"	3/4"	3/4"	3/4"

1020	■	■	■	■	■	■	■	■	■	■	■
Weight (gr)	100	112	112	123	133	195	185	218	250	285	365
SW	35	35	35	35	35	45	45	52	54	53	65
H1	43	43	43	43	43	43	43	46	50	50	50
H	63	63	63	63	63	67	65	74	74	74	75
F	9	12	15	21	28	27	33	29	33	39	44
A	13	13	13	13	13	14	14	16	16	16	16
P	12	16	19	25	32	32	38	32	38	50	50
G	1"	1"	1"	1"	1"	1 1/4"	1 1/4"	1 1/2"	1 1/2"	1 1/2"	2"

Ottone sabbiato ■
Yellow brass