

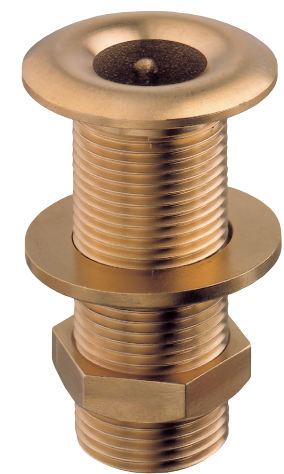
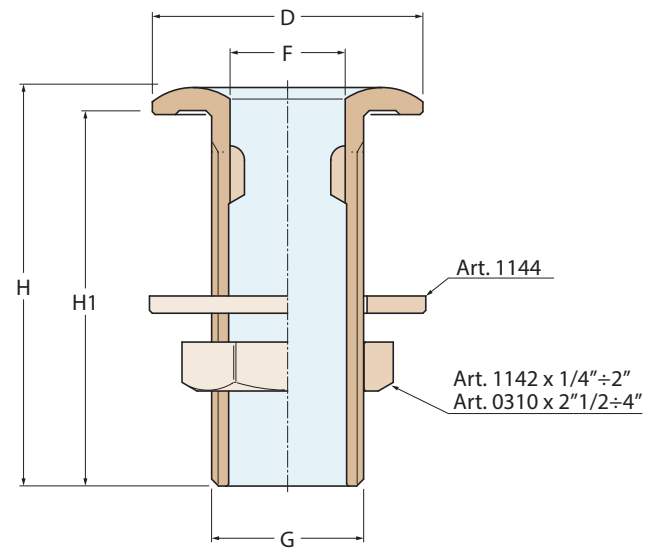
# prese e scarichi a mare water intakes and thru-hulls

**1121**

**Scarico a mare**  
Thru-hull connection

**Omologato RINA**  
RINA validated

**Conforme alla norma**  
Compliant with  
**UNI EN ISO 9093-1**



Ottone sabbato  
Yellow brass

FILETTATURE / THREAD :  
G = ISO 228/1 (BS 2779)

<b>1121</b>	■	■	■	■	■	■	■	■	■	■	■
<b>1121C</b>	■	■	■	■	■	■	■	■	■	■	■
Weight (gr)	40	85	125	205	350	470	650	990	1950	2560	4300
H	53	55	65	70	85	86	96	107	130	158	209
H1	49	50	60	65	80	80	90	100	122	150	200
F	8	12	15	20	25	33	39	50	63	76	100
D	22	32	36	47	54	63	70	85	110	123	150
<b>G</b>	<b>1/4"</b>	<b>3/8"</b>	<b>1/2"</b>	<b>3/4"</b>	<b>1"</b>	<b>1 1/4"</b>	<b>1 1/2"</b>	<b>2"</b>	<b>2 1/2"</b>	<b>3"</b>	<b>4"</b>

**1121C**



Ottone cromato  
Chromium-plated brass