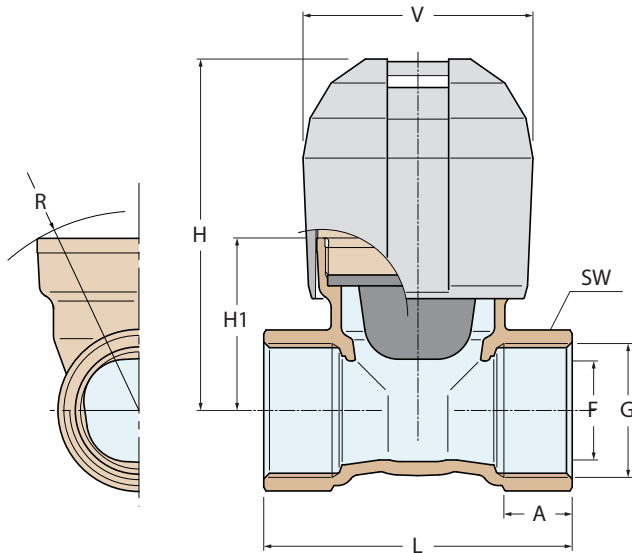


2260

Valvola "antiblocco Alex" filettata
passaggio totale
Threaded "non stick" valve "Alex"
full flow

Omologato RINA
RINA validated



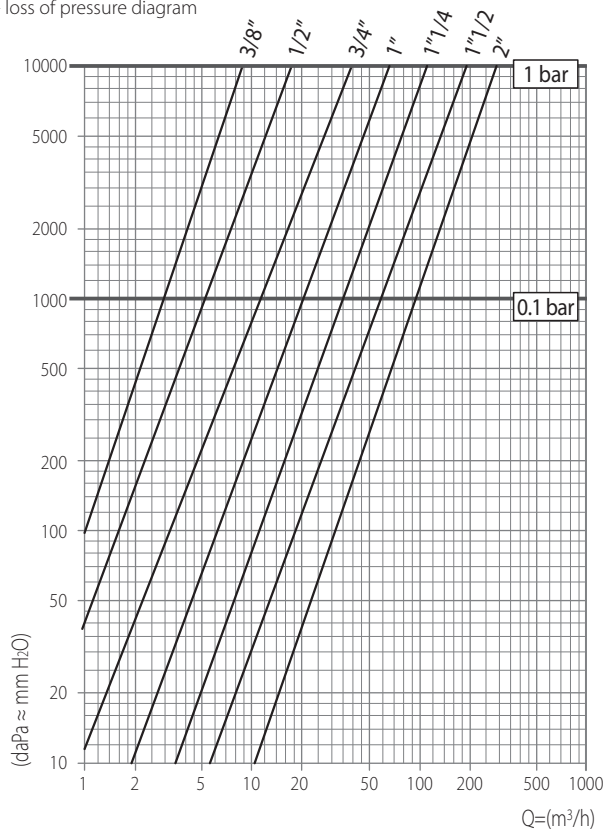
FILETTATURE / THREAD :
G = EN 10226/1 (BS 21)



Bronzo
Bronze

2260	3/8"	1/2"	3/4"	1"	1"1/4"	1"1/2"	2"
Weight (gr)	490	480	650	840	1250	1500	2500
SW	25	25	31	38	47	54	67
R	43	43	50	54	63	70	80
H1	36	36	43	47	54	61	72
F	15	15	20	25	33	38	48
A	11.4	15	16.3	19.1	21.4	21.4	25.7
V	53	53	58	63	72	78	90
L	67	67	73	84	97	103	124
H	76	76	85	94	110	118	139
G	3/8"	1/2"	3/4"	1"	1"1/4"	1"1/2"	2"

Diagramma portate - perdite di carico
Flow rate - loss of pressure diagram



Corpo in bronzo
Bronze body

Guarnizioni in neoprene
Neoprene gaskets

Volantino in ABS
ABS handwheel

G	0.1 bar	1 bar
3/8"	2940	8800
1/2"	5100	17000
3/4"	11600	39000
1"	20100	65000
1"1/4"	35500	110000
1"1/2"	59400	189000
2"	92600	280000

Portate di acqua - lt/h
Flow-rate capacity - lt/h