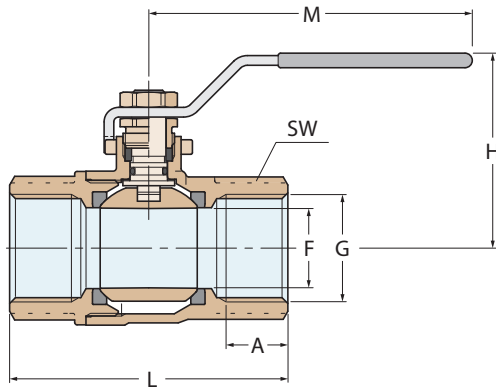


2300

**Valvola a sfera F-F
passaggio totale a leva**
Lever operated ball
valve F-F full flow

Omologato RINA
RINA validated



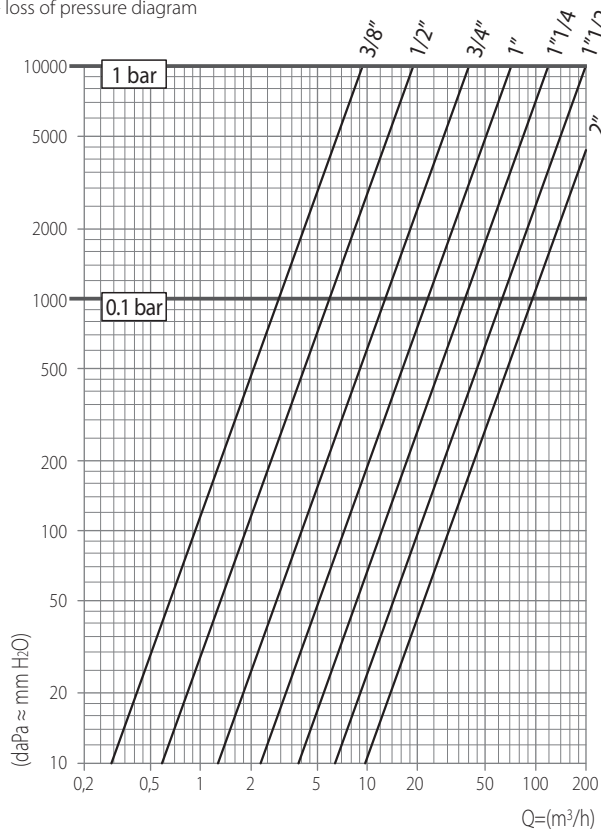
FILETTATURE / THREAD :
G = EN 10226/1 (BS 21)

2300

Weight (gr)	190	280	390	600	990	1200	2000
SW	22	26	32	41	50	55	69
M	78	78	98	98	128	128	158
H	48	49	56	60	72	77	88
L	54	65	72	86	99	107	128
F	12	14.8	19.5	24.5	31.5	38.5	48
A	11.4	15	16.3	19.1	21.4	21.4	25.7
G	3/8"	1/2"	3/4"	1"	1"1/4	1"1/2	2"

Bronzo
Bronze

Diagramma portate - perdite di carico
Flow rate - loss of pressure diagram



Corpo e maniccotto in Bronzo CC499K
Bronze CC499K body and cap

Seggi e rondella premistoppa in PTFE
PTFE seals and anti-friction ring

O-ring in EPDM
EPDM O-ring

Asta in Ottone CW625
Brass CW625 rod

Sfera in ottone rivestito con trattamento ecocompatibile
resistente alla corrosione
Brass Ball

Leva e dado in acciaio inox 304
Stainless steel 304 lever and nut

G	1 bar
3/8"	9000
1/2"	18000
3/4"	39000
1"	71000
1"1/4	119000
1"1/2	196000
2"	300000

Portate di acqua - lt/h
Flow-rate capacity - lt/h