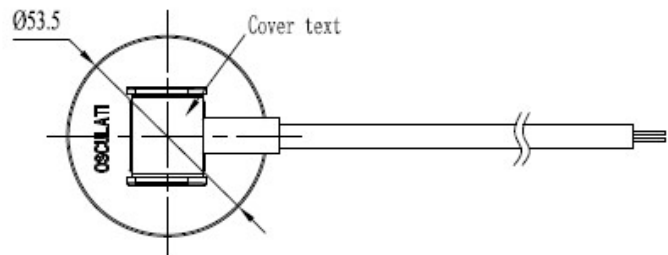
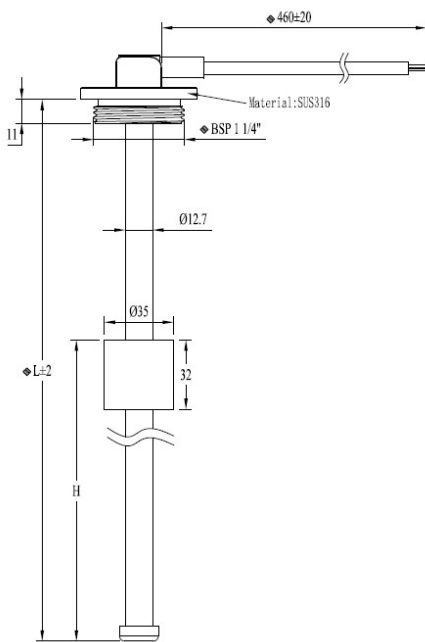




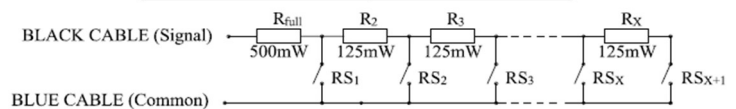
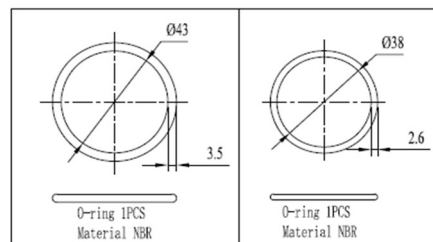
## Dati tecnici sensori livello S3:

S3 level sensors technical data:



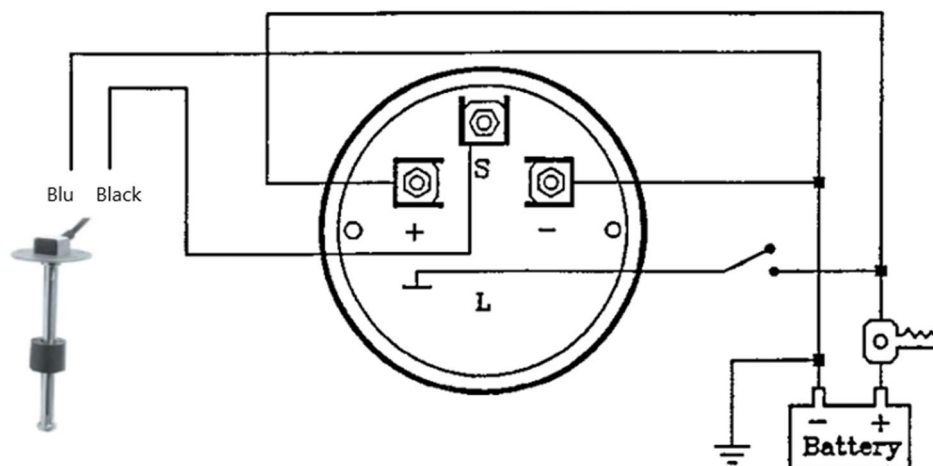
Technical requirements:

- Electrical characteristics:  
Rating power: P 125mW;  
Working current: I max. 300mA;
- H value in the table is the data that float moves downward from top of the sensor;
- Deviation of the resistance output:  $\pm(R*1.5\%+1\Omega)$ ;
- Deviation allowed for H value:  $\pm 5$ mm;
- Working medium: diesel;
- Working temperature:  $-40 \sim +85^\circ\text{C}$
- Protection class: IP 65;
- Other technical requirements: take QC/T413-2002 as reference.



**Collegamento elettrico sensore/indicatore:**

*Sensor / indicator wiring diagram:*



**Verifica funzionamento con tester:**

*Check operation with tester:*

