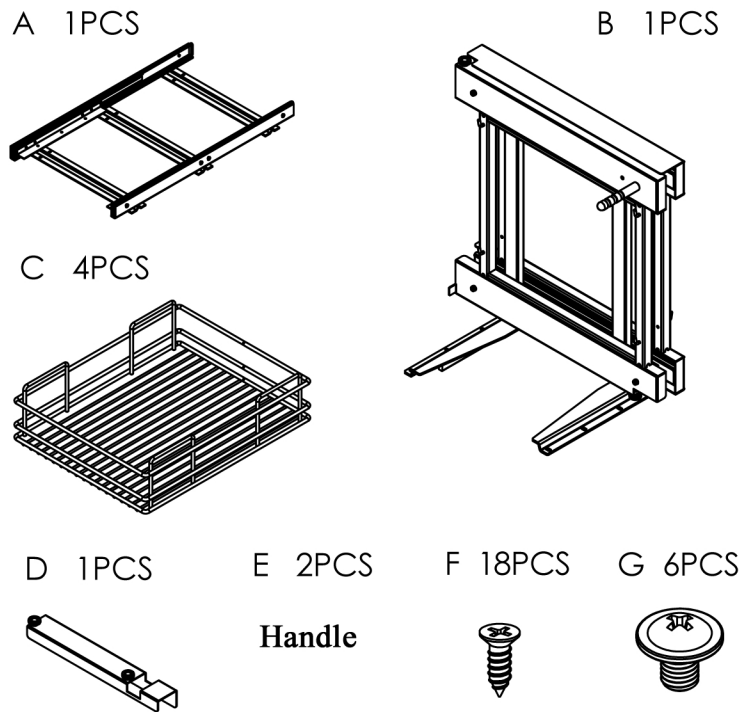


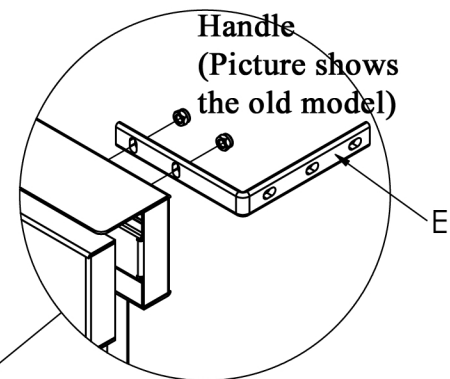
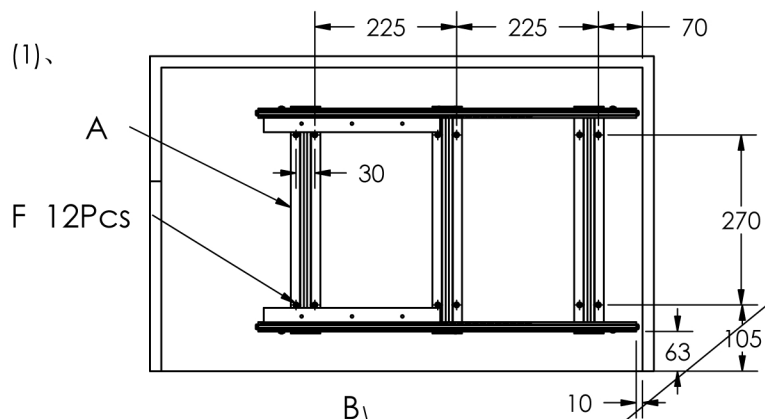
Fixing manual for drawer magic corner (Right) I-MC-09

1. Accessories:

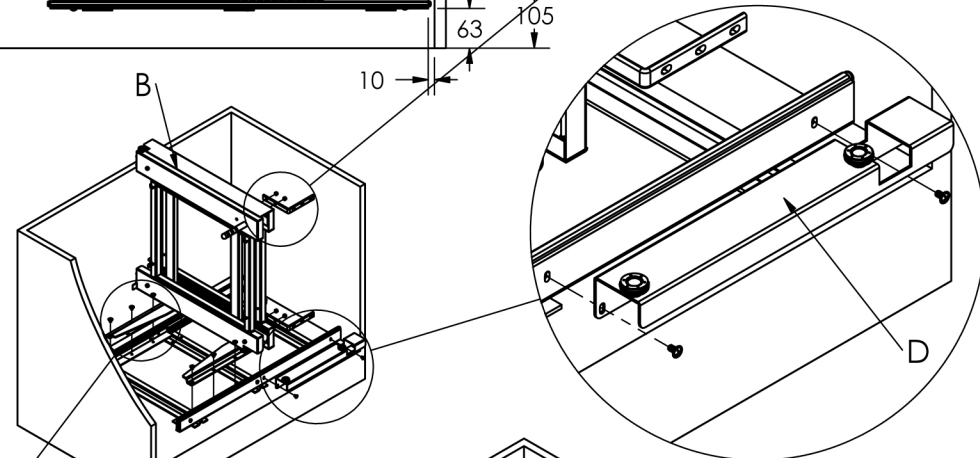


3. Fixing process :

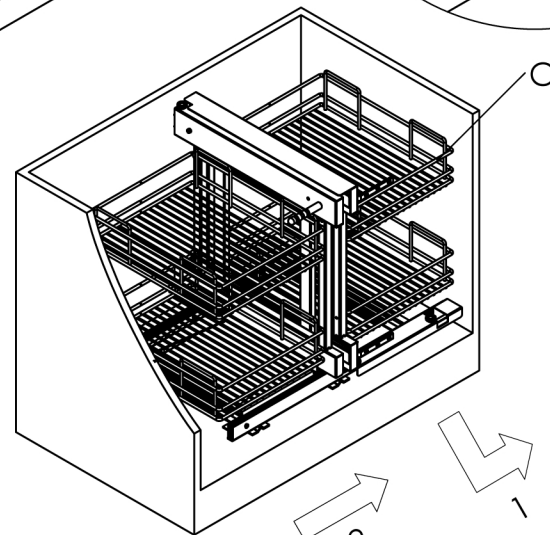
(1),



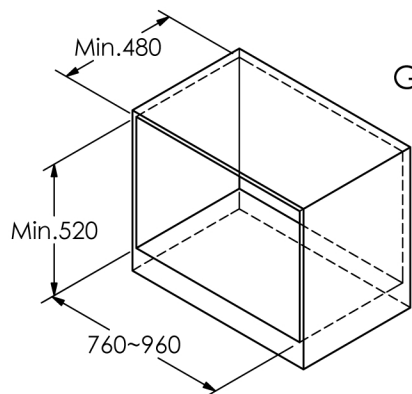
(2),



(3),



2. Suitable cabinet size (inside cabinet size) and door board (W≥400):



G 6PCS

