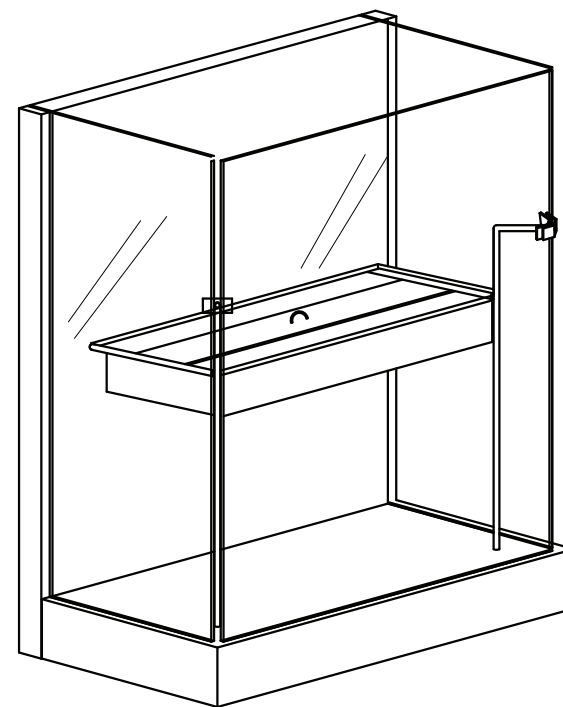
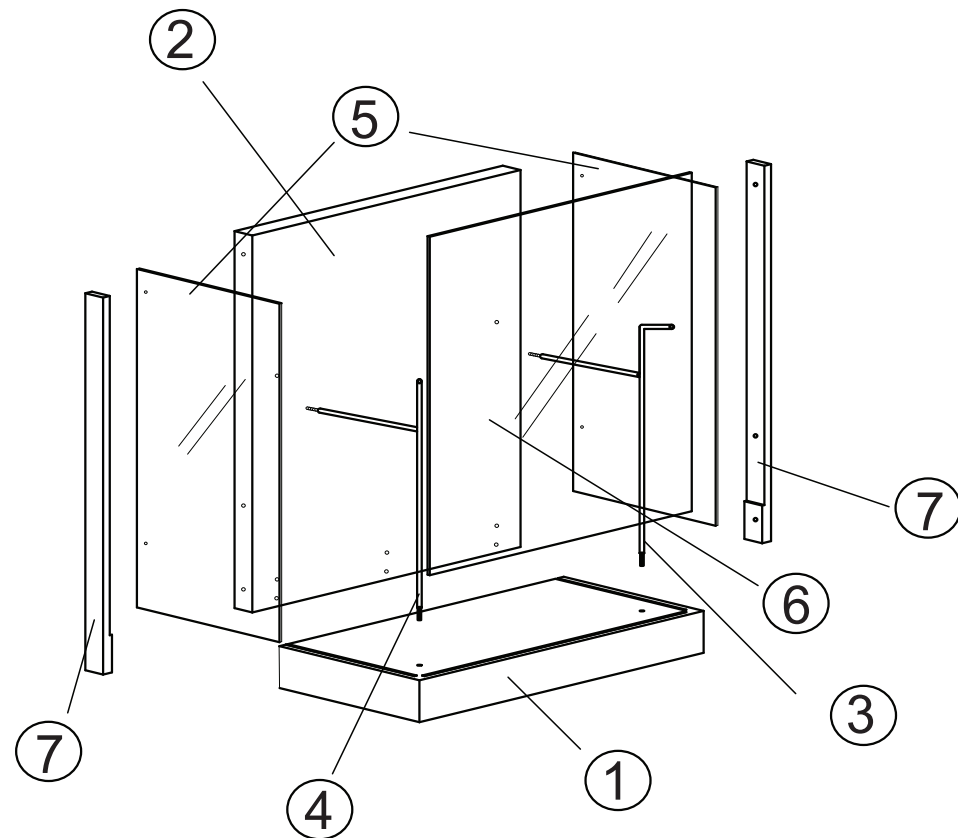
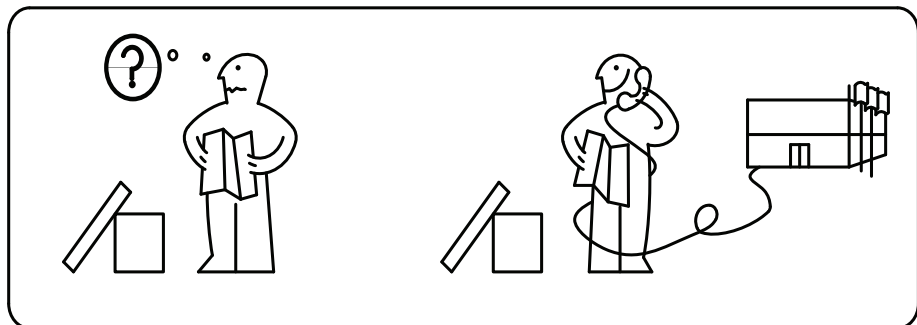
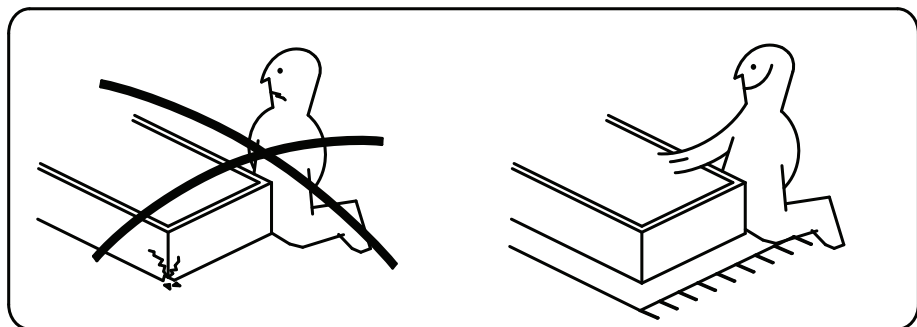
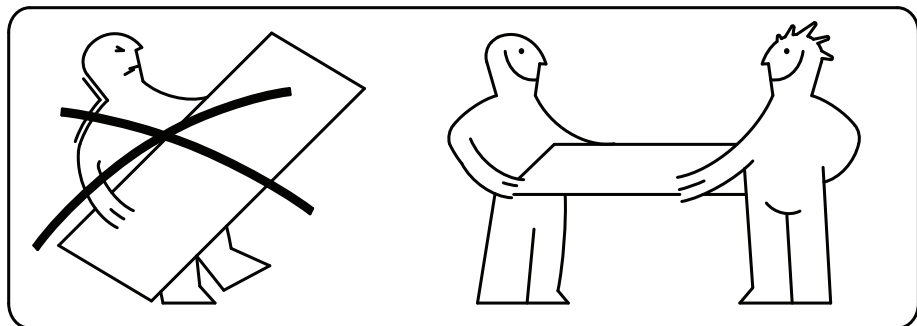
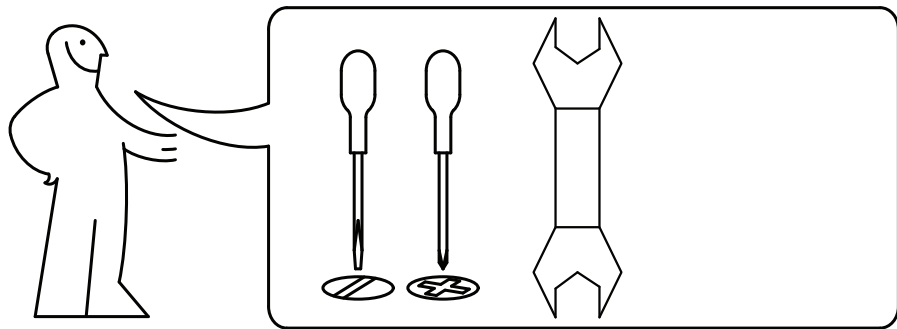
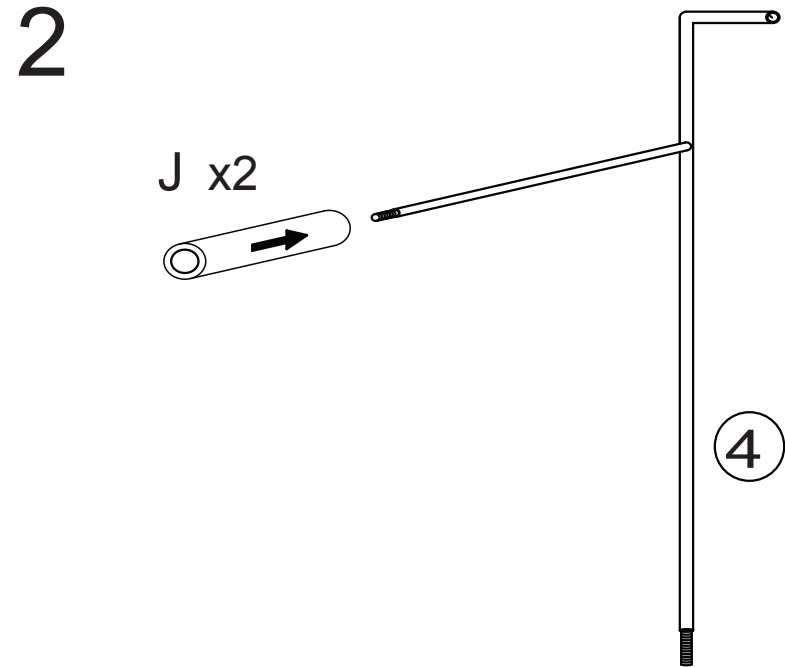
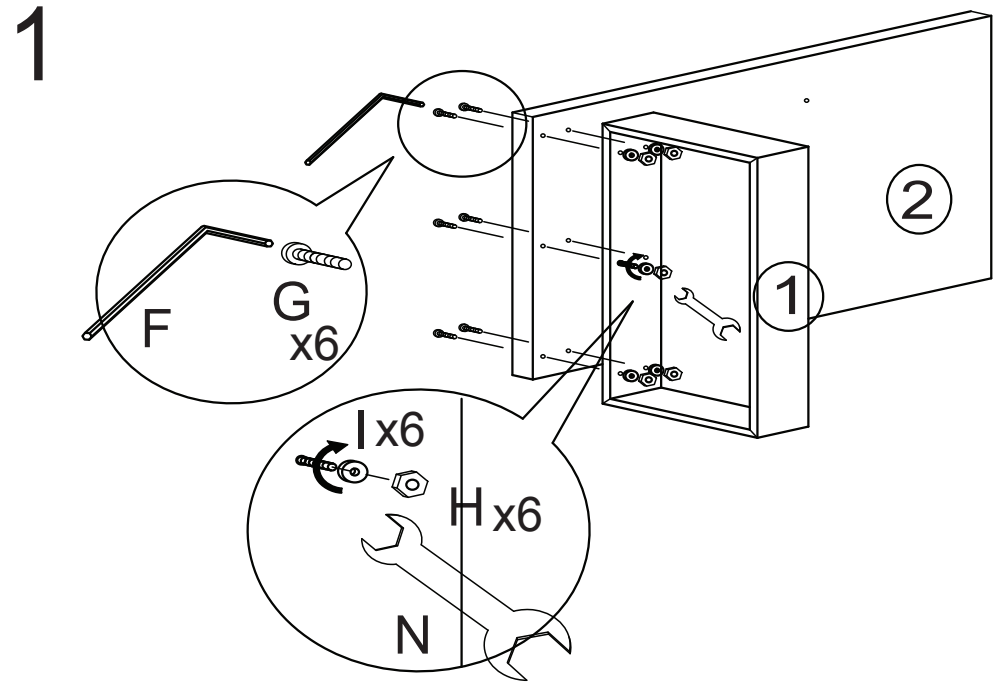
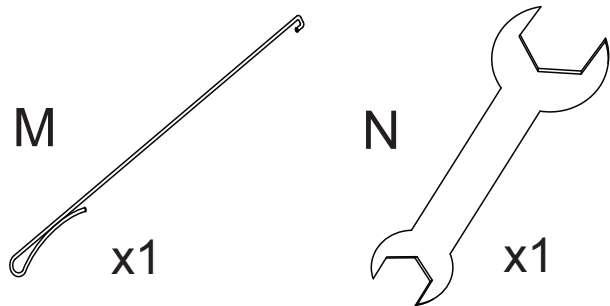
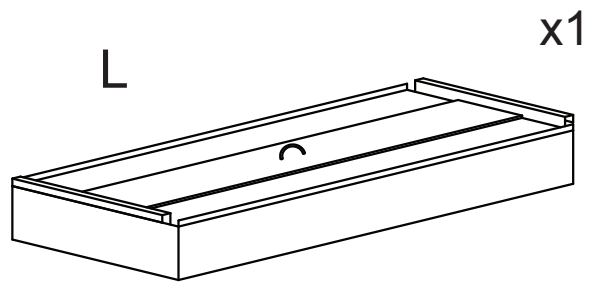
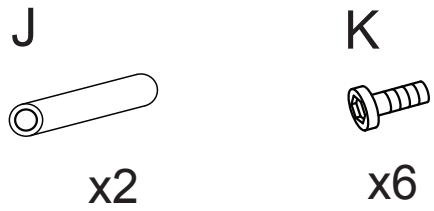
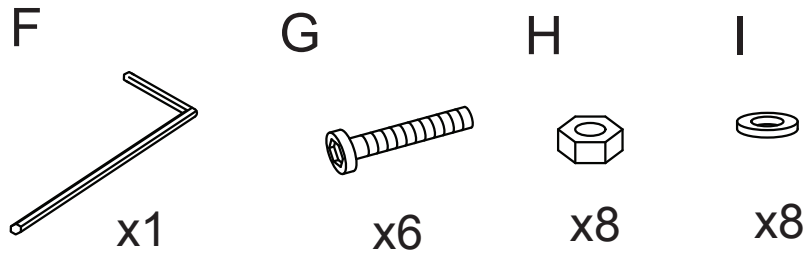
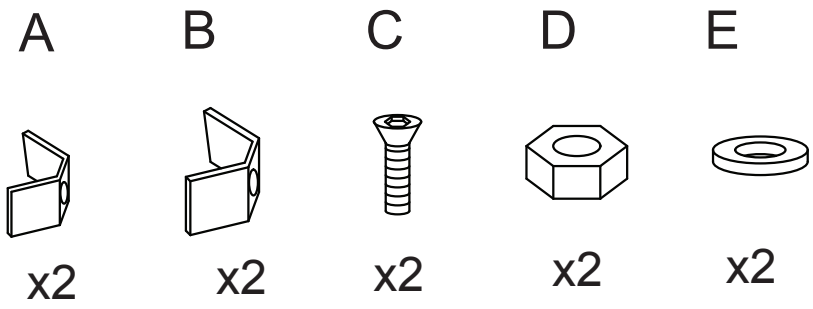


# MARSEILLE ÖPPEN SPIS

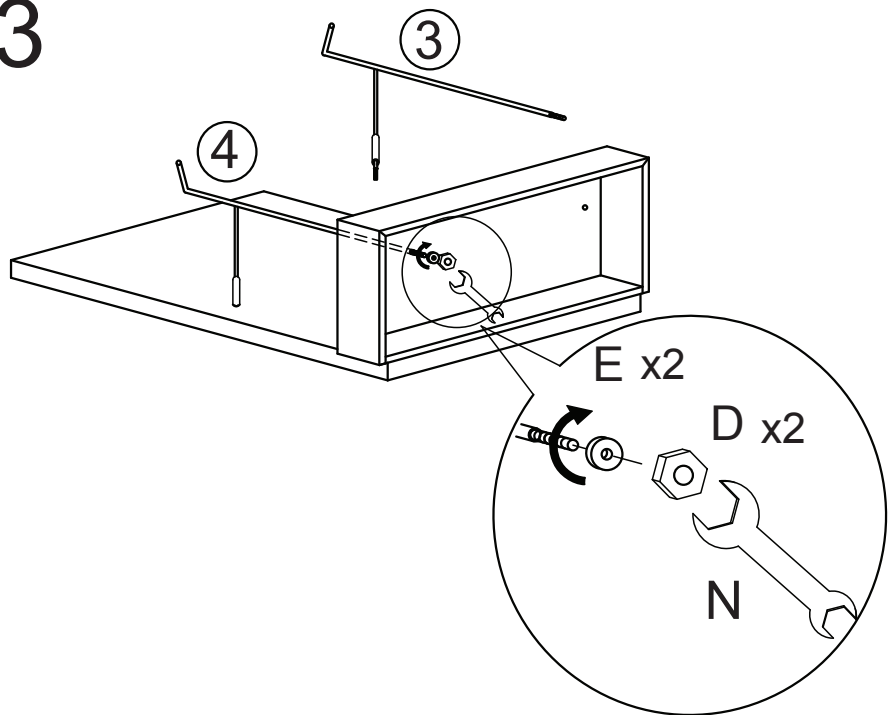




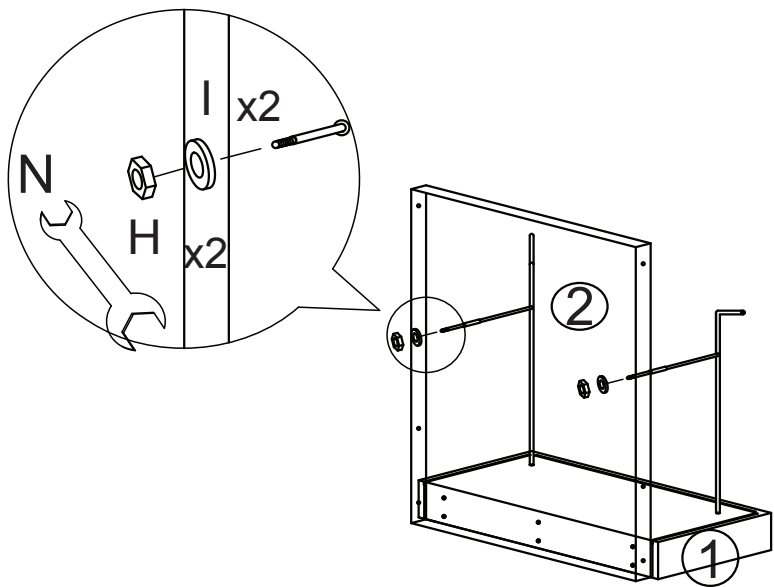
| Part - number | Piece | Dimensions LxWxT (mm) |
|---------------|-------|-----------------------|
| ①             | 1     | 644x304x100           |
| ②             | 1     | 900x604x40            |
| ③             | 1     | 570x227x10 right side |
| ④             | 1     | 570x227x10 left side  |
| ⑤             | 2     | 808x321x5             |
| ⑥             | 1     | 808x590x5             |
| ⑦             | 2     | 900x40x20             |



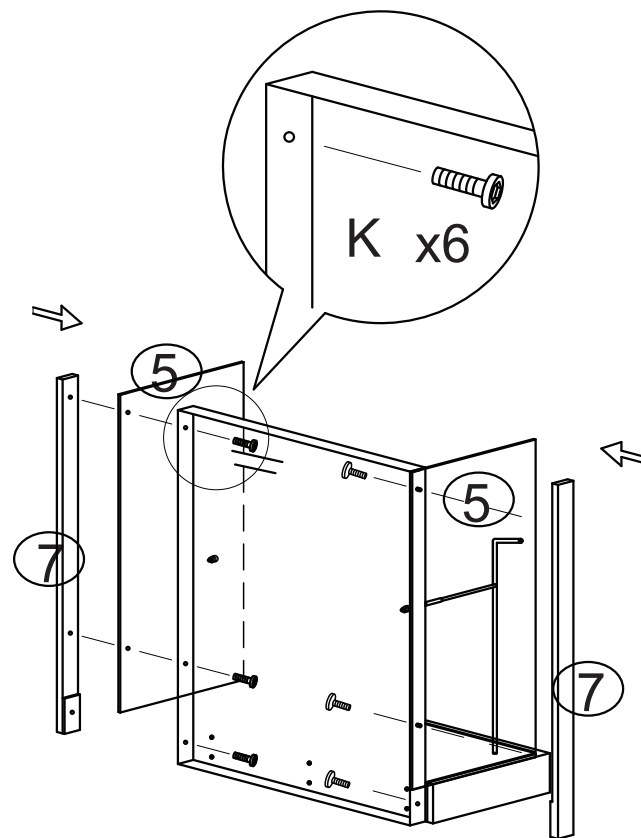
3



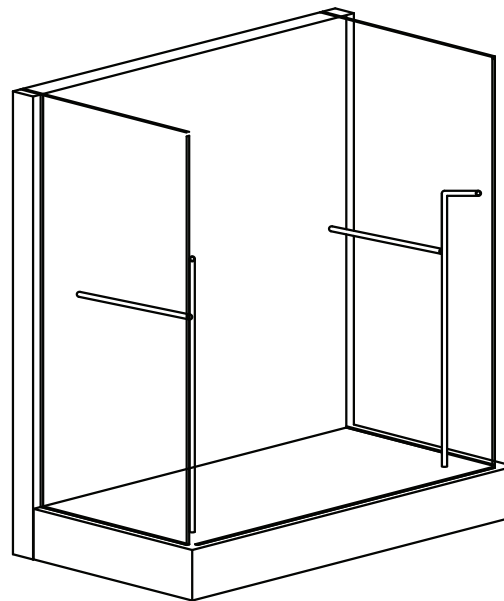
4



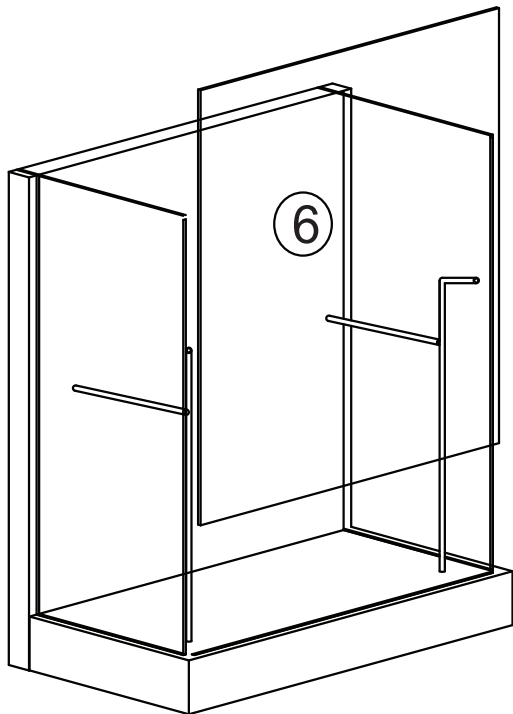
5



6



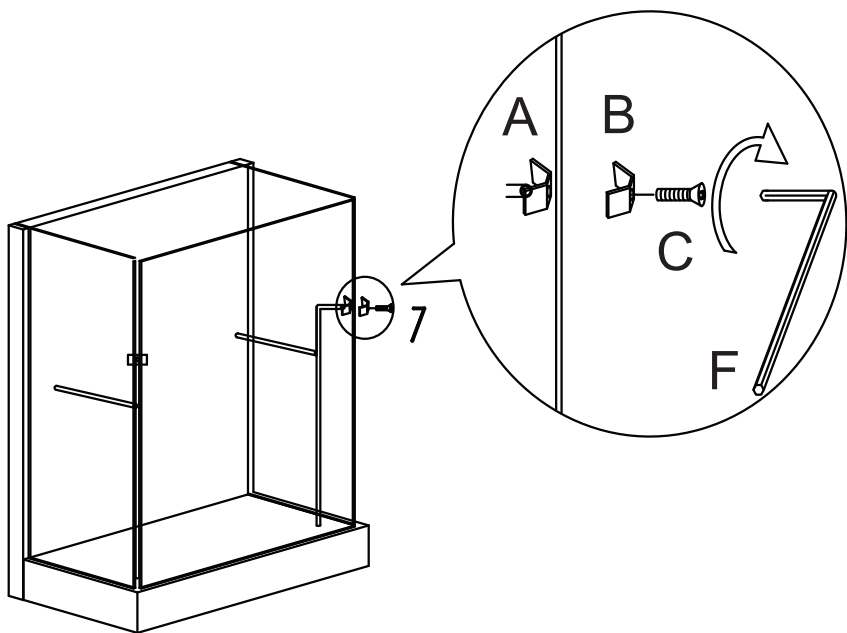
7



6



8



7

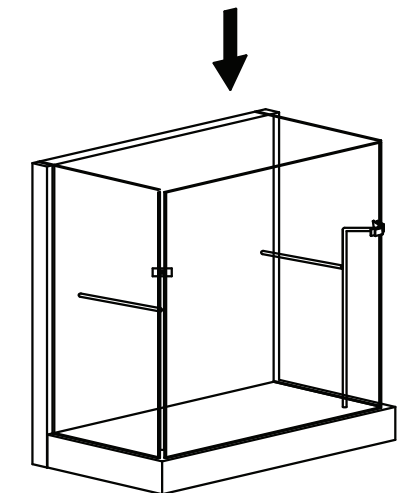
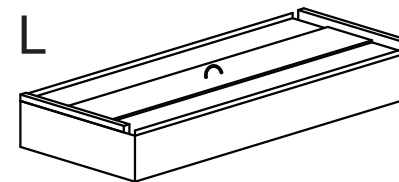
A

B

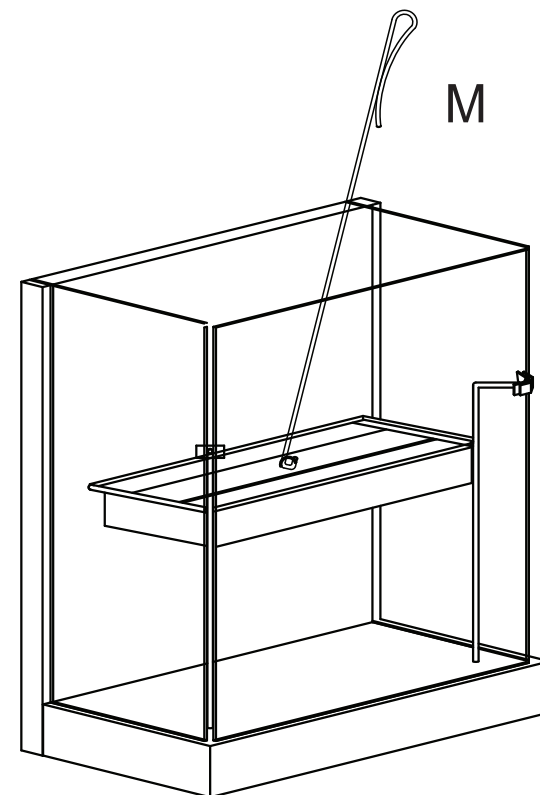
C

F

9



10



M