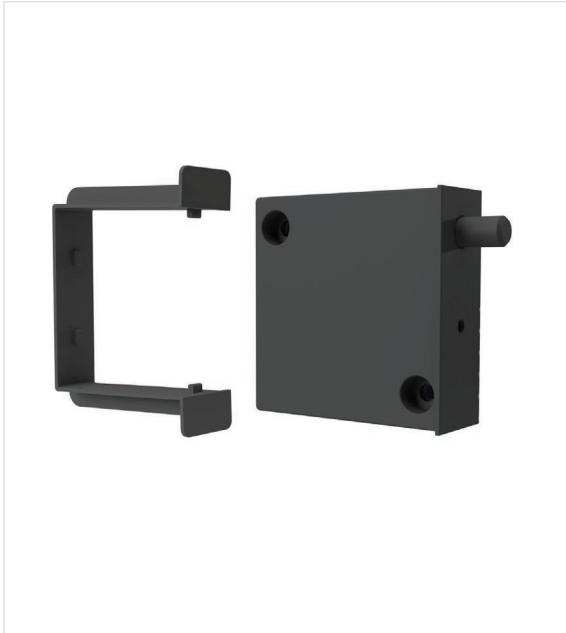


SL-PPDOOR01K1

door contact switch for hinged doors and drawers



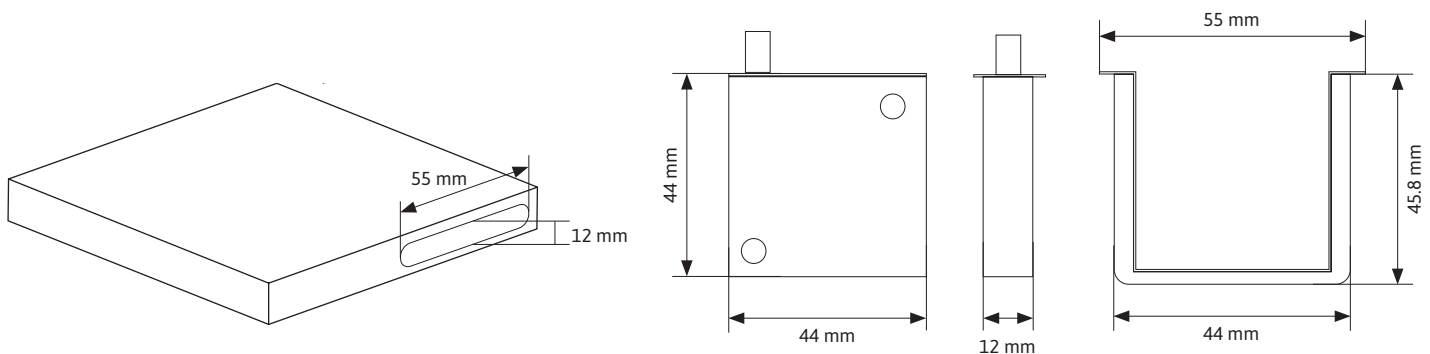
DIMENSIONS

- ▶ Sensor incl. adapter (LxDxH): 55 x 46 x 12 mm
- ▶ Sensor without adapter (LxWxH): 44 x 44 x 12 mm

TECHNICAL FEATURES

- ▶ Transfer protocol: RF 433 mhz
- ▶ Range: 30 meters (indoors)
- ▶ IP Rating: IP20

TECHNICAL DRAWING



PRODUCT FEATURES

- ▶ Sensor for hinged doors and drawers
- ▶ For milling in, screwing on or gluing on
- ▶ No battery and no wiring necessary!
- ▶ Battery-free device without external power supply
- ▶ Transmission energy is generated from mechanical energy when the sensor contact point is actuated
- ▶ Radio-based range up to 80 meters in open areas
- ▶ Sensor can be connected to any number of Push Power Receivers.
- ▶ **Functions:** ON - OFF for MONO-, DUO- and DUO2-Pol-receivers; no color change possible
- ▶ Can be combined with several sensors or switches
- ▶ Available in white (K60) and black (K1) versions

ASSEMBLY

- ▶ Milling in, screwing on or gluing on Placing the sensor on the door fitting side is recommended
- ▶ When milling, please refer to the technical milling diagram!
Milling depth: 46.5 mm
Milling height: 12.0 mm
Milling width: 55,0 mm

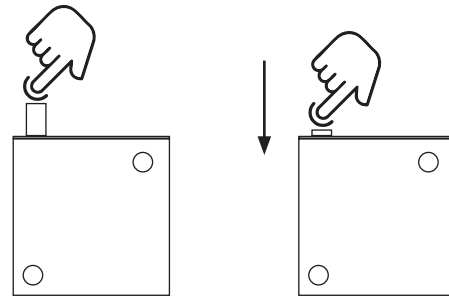
SAFETY AND INSTALLATION INSTRUCTIONS

- ▶ This product is not a toy and is not suitable for children!
- ▶ This SIRO LED system is only suitable for indoor use.
- ▶ Unprotected outdoor use is not permitted.
- ▶ Contact with moisture must be avoided at all costs!

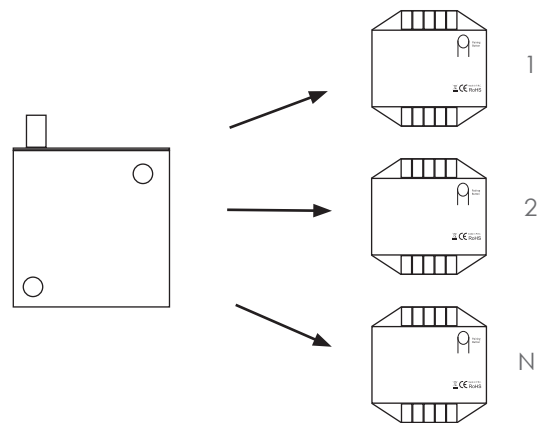
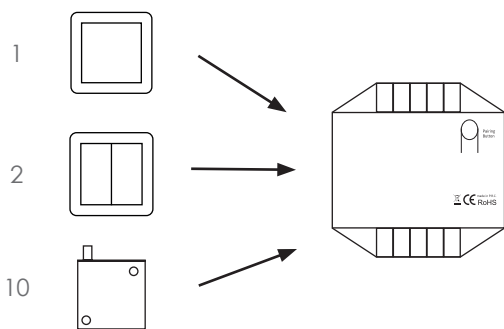
GENERAL FUNCTIONS

Single click:

Switching on or off



POSSIBLE COMBINATIONS



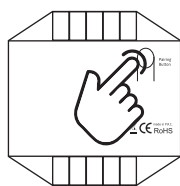
More controls on one receiver

a maximum of 10 PushPower control units (sensors, push buttons, etc.) can be connected to one receiver.

One control on several receivers

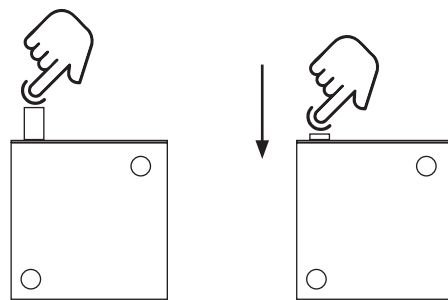
1 PushPower control unit can control any number of receivers.

CONNECTING THE CONTROL UNIT & RECEIVER



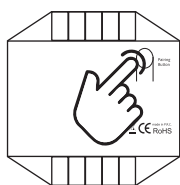
press and hold for 3 seconds

Indicator light on the receiver flashes



press sensor contact point

RESET RECEIVER



press and hold for 10 seconds

Indicator light on the receiver flashes



Indicator light on the receiver lights up continuously and then switches off