

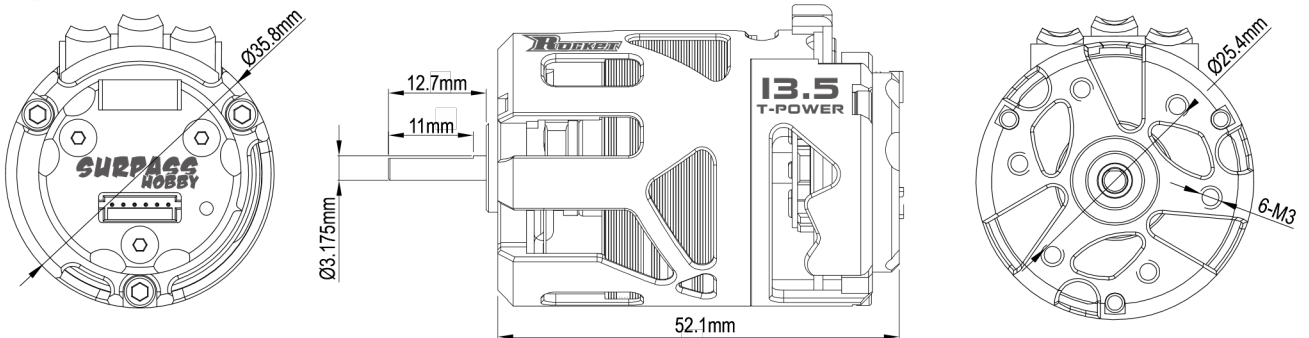


### FEATURES:

- The new and unique stator design of V5R silver-black stock motor is optimised to provide strong torque and high RPM.
- Updating the cover and installing the vacancy avoidance space is suitable for all modified car body in the market.
- New stator coating for better heat dissipation and long term surface corrosion resistance.
- Accurately mounted sensors for the best possible KV and RPM.
- CNC Machined Billet T6 Aluminum Heatsink Can
- High Purity Copper Windings Maximizes Conductivity
- Adjustable Timing, Dual sensor port
- BRCA & EFRA approved, Meets ROAR & IFMAR specifications

Product	Item Number	Size	Kv (RPM/Volt)	Watts	lipo (S)	Max Amps	Rotor Poles	IO (7.4V)	Resistance (Ω)	Turns	Rotor	Weight (g)	Shaft (mm)	TYPE
540V5R-3.5T	SP-054000-66	540	9250	600	1S	130A	2	9.3A	0.0016	3.5	Ø12.3xØ5x24.5	166	Ø3.175	MODIFIED
540V5R-4.0T		540	8500	530	1-2S	115A	2	8.7A	0.0023	4	Ø12.3xØ5x24.5	166	Ø3.175	MODIFIED
540V5R-4.5T		540	8170	490	1-2S	108A	2	7.4A	0.0025	4.5	Ø12.3xØ5x24.5	166	Ø3.175	MODIFIED
540V5R-5.0T	SP-054000-68	540	6700	450	1-2S	104A	2	6.2A	0.0035	5	Ø12.3xØ5x24.5	166	Ø3.175	MODIFIED
540V5R-5.5T	SP-054000-67	540	6000	430	1-2S	100A	2	8.7A	0.0041	5.5	Ø12.5xØ5x25.5	166	Ø3.175	MODIFIED
540V5R-6.0T	SP-054000-68	540	5700	410	1-2S	96A	2	8.1A	0.0057	6	Ø12.5xØ5x25.5	166	Ø3.175	MODIFIED
540V5R-6.5T	SP-054000-67	540	5100	390	1-2S	94A	2	7.2A	0.0063	6.5	Ø12.5xØ5x25.5	166	Ø3.175	MODIFIED
540V5R-7.5T		540	4500	360	1-2S	86A	2	5.7A	0.0073	7.5	Ø12.5xØ5x25.5	166	Ø3.175	MODIFIED
540V5R-8.5T		540	4000	340	1-3S	80A	2	4.7A	0.0103	8.5	Ø12.5xØ5x25.5	166	Ø3.175	MODIFIED
540V5R-9.5T	SP-054000-67	540	3500	290	1-3S	70A	2	4.3A	0.0134	9.5	Ø12.5xØ5x25.5	166	Ø3.175	MODIFIED
540V5R-10.5T		540	3300	270	1-3S	70A	2	4.0A	0.0151	10.5	Ø12.5xØ5x25.5	166	Ø3.175	MODIFIED
540V5R-10.5T	SP-054000-69	540	4900	250	1-3S	63A	2	5.5A	0.0147	10.5	Ø12.5xØ7.2x25.2	155	Ø3.175	SPEC
540V5R-13.5T		540	3880	190	1-3S	49A	2	3.0A	0.0219	13.5	Ø12.5xØ7.2x25.2	155	Ø3.175	SPEC
540V5R-17.5T		540	3000	130	1-3S	34A	2	2.5A	0.0368	17.5	Ø12.5xØ7.2x25.2	155	Ø3.175	SPEC
540V5R-21.5T		540	2500	100	1-3S	28A	2	2.2A	0.0568	21.5	Ø12.5xØ7.2x25.2	155	Ø3.175	SPEC
540V5R-25.5T		SP-054000-70	540	1500	80	1-3S	24A	2	0.7A	0.1030	25.5	Ø12.3xØ7.2x25.2	155	Ø3.175

### 540 V5R



Shenzhen Surpass Tech co., Ltd

Http://www.surpass-hobby.com

Tel: +86-0755-89322901

