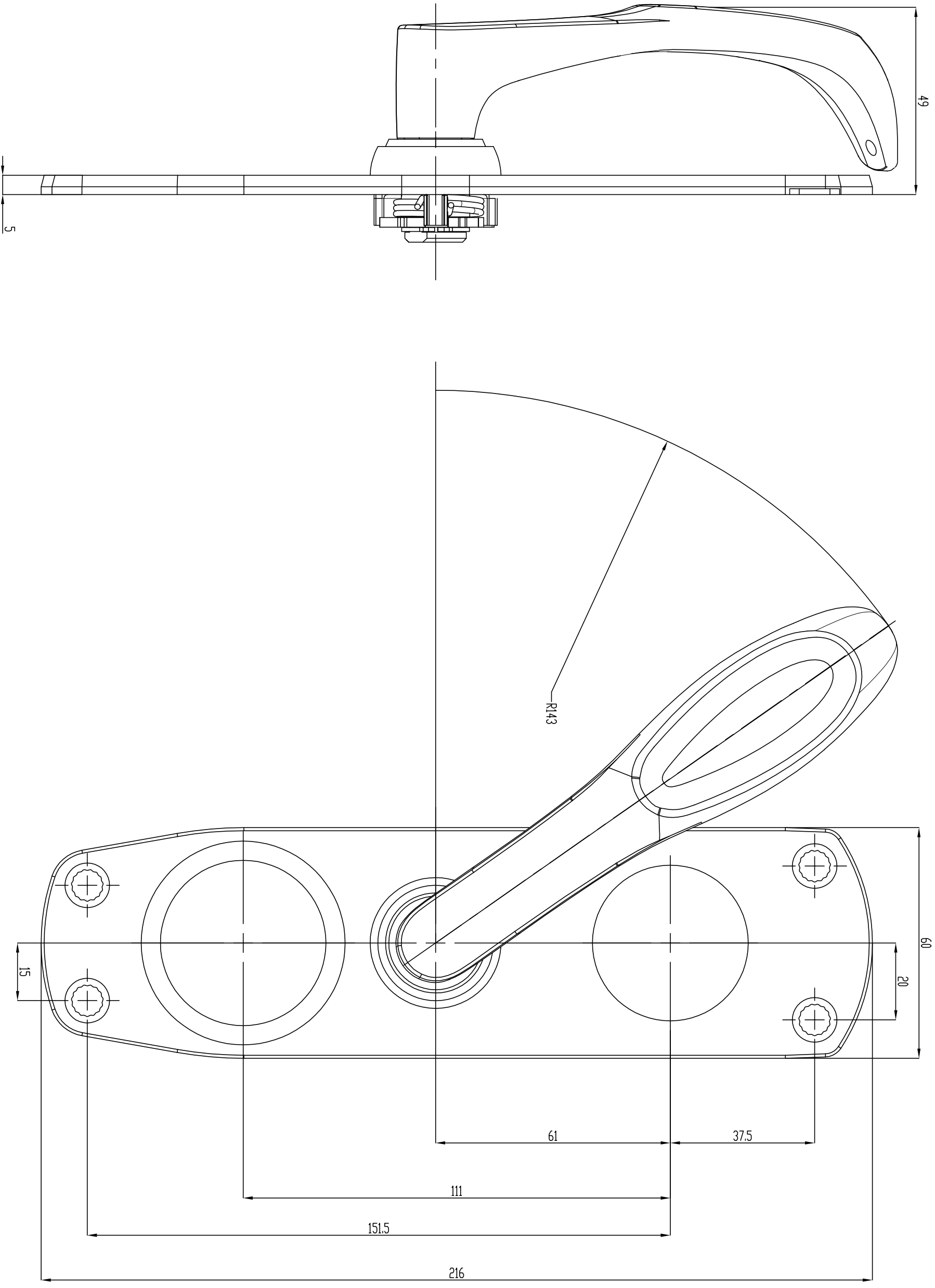


Denna handling får ej utan vårt medgivande kopieras, delges annan eller på annat sätt obehörigen användas. Överträdelse beivras med stöd av gällande lag.

Status "Ingen status (Concept)" = endast för R&D
 Status "Working" = prototyp / produktionsförberedelse
 Status "Pre-release" = verktygsbeställning / provserie

Status "No status (Concept)" = only for R&D
 Status "Working" = prototype / production preparation
 Status "Pre-release" = tool ordering / pre-series production

This document is our property and shall not without our permission be altered, copied, used for manufacturing or communicated to any other person or company.



Date	2012-09-03	Material / tiller size	----	Hardening / surface treatment	----	General tol.	ISO 2768-M	General surface	
Designed by	LANY	Drawn by	YNER			Projection		Scale	1:1
ASSA ABLOY		EMERGENCY EXIT DEVICE MEASURE DRAWING 179 A							
Scandinavia	Alt. ID	----	----	----	----	Drawing number	364862	Item number	000040214
ASSA AB	Revision	----	----	----	----	Drawing number is the valid ID if printed			1

Released 120927