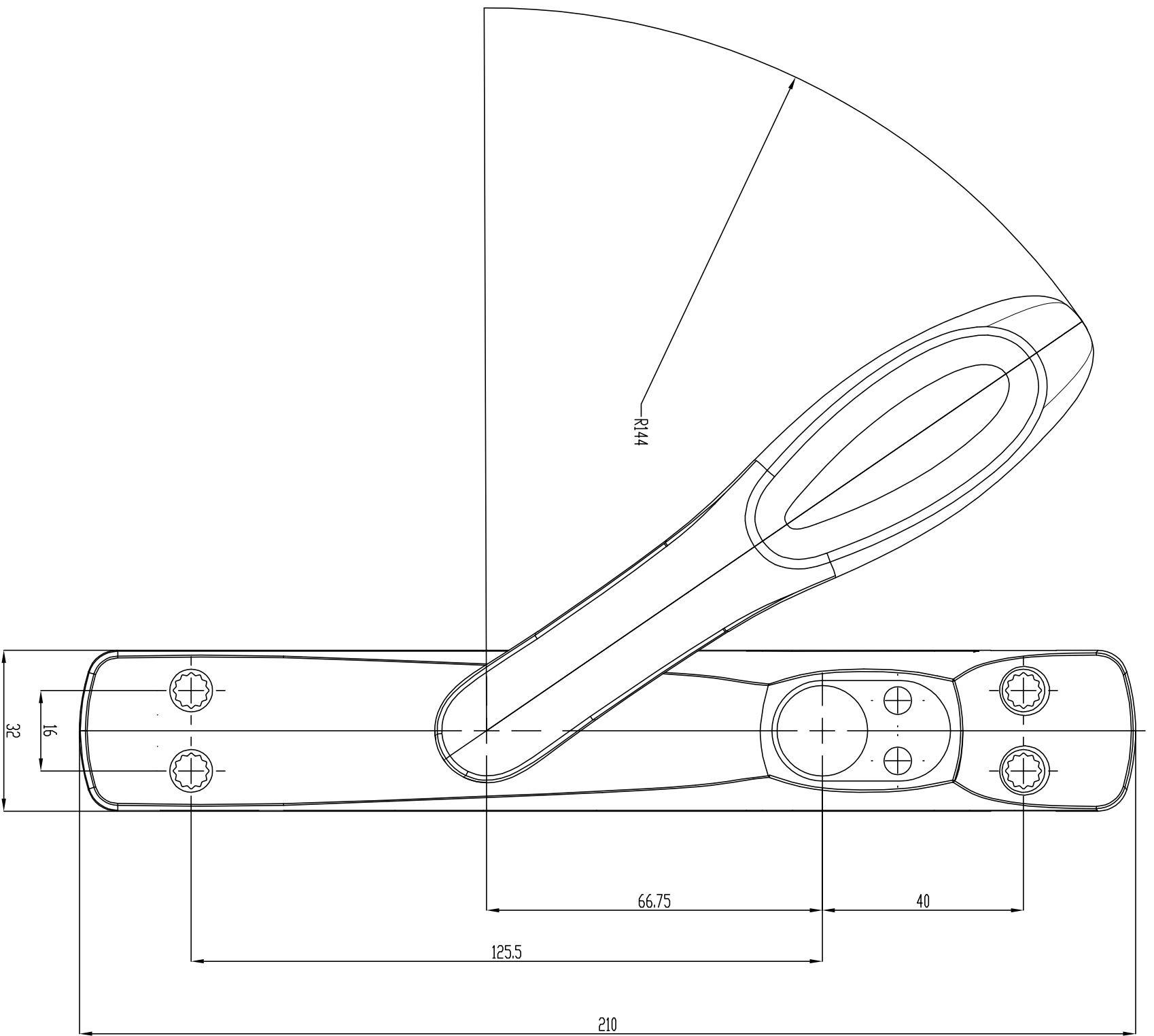
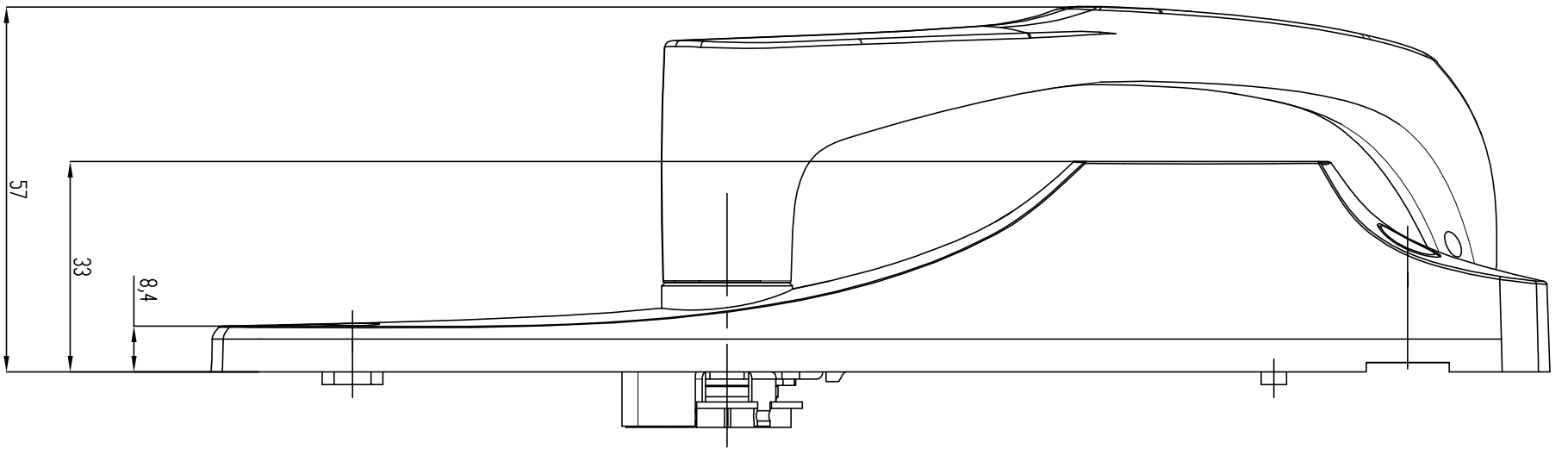


Denna handling får ej utan vårt medgivande kopieras, delges annan eller på annat sätt obehörigen användas. Överträdelse beivras med stöd av gällande lag.

Status "Ingen status (Concept)" = endast för R&D
 Status "Working" = prototyp / produktionsförberedelse
 Status "Pre-release" = verktygsbeställning / provserie

Status "No status (Concept)" = only for R&D
 Status "Working" = prototype / production preparation
 Status "Pre-release" = tool ordering / pre-series production

This document is our property and shall not without our permission be altered, copied, used for manufacturing or communicated to any other person or company.



Date	2010-05-05	Material / tiller size	----	Hardening / surface treatment	----	General tol.	ISO 2768-M	General surface	----
Designed by	LANY	Drawn by	YNER			Projection		Scale	1:1
ASSA ABLOY		Scandinavia		EMERGENCY EXIT DEVICE		Drawing number		702153	
ASSA AB		Alt. ID		MEASURE DRAWING 179B S4		Drawing number is the valid ID if printed		Revision	
		----		----		Item number		000021539	
		----		----				2	

Released 120927