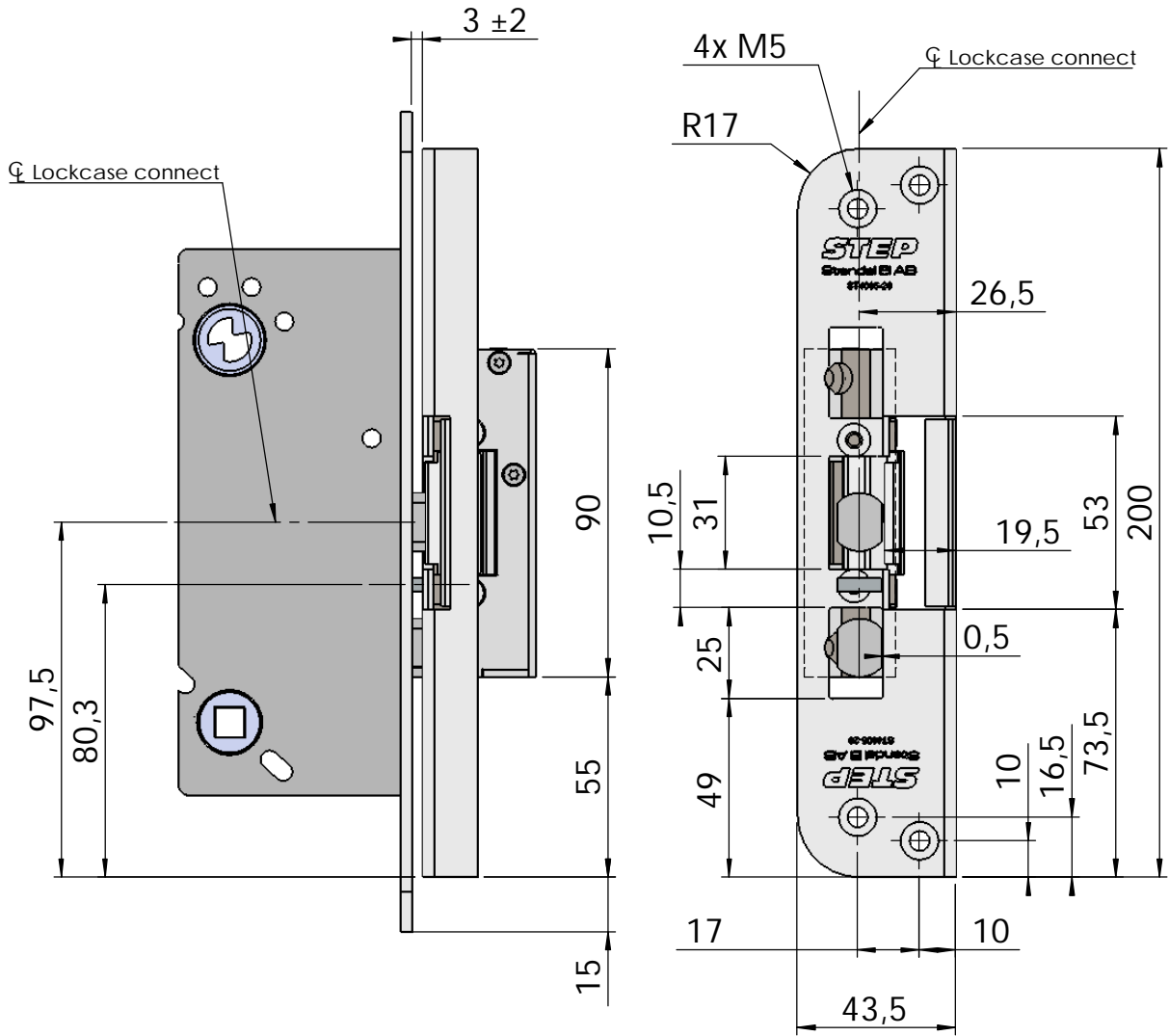
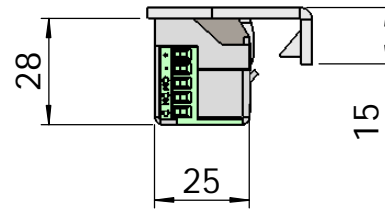




# Montering för Connect



This document shall not be copied without owners written allowance and its content shall not be exposed for third part nor be used for unauthorized purpose.

Owner  
**Stendals EI AB**

Title/Description  
STEP 40 med vinklad stolpe plös 20mm  
Montering för Connect

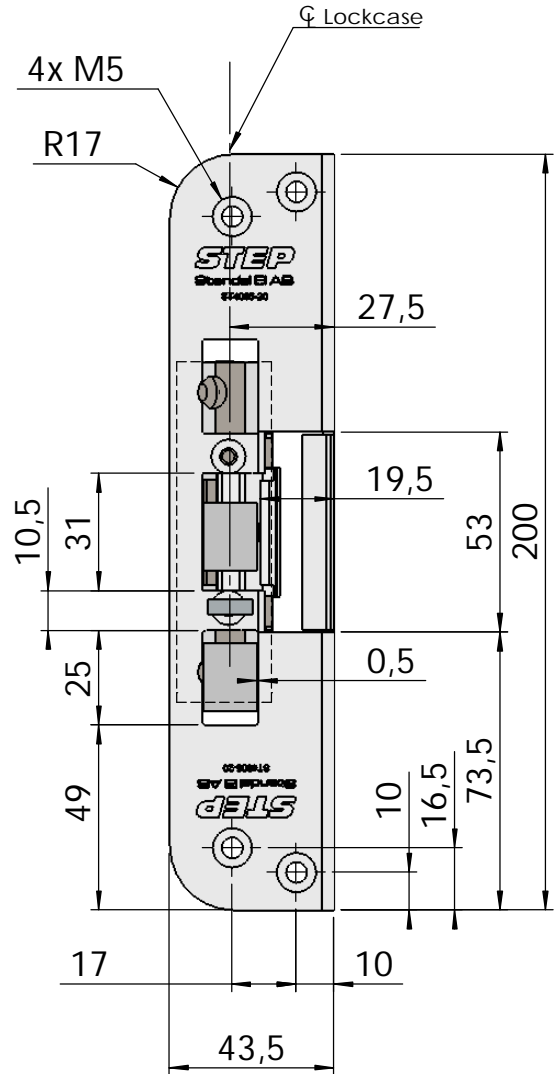
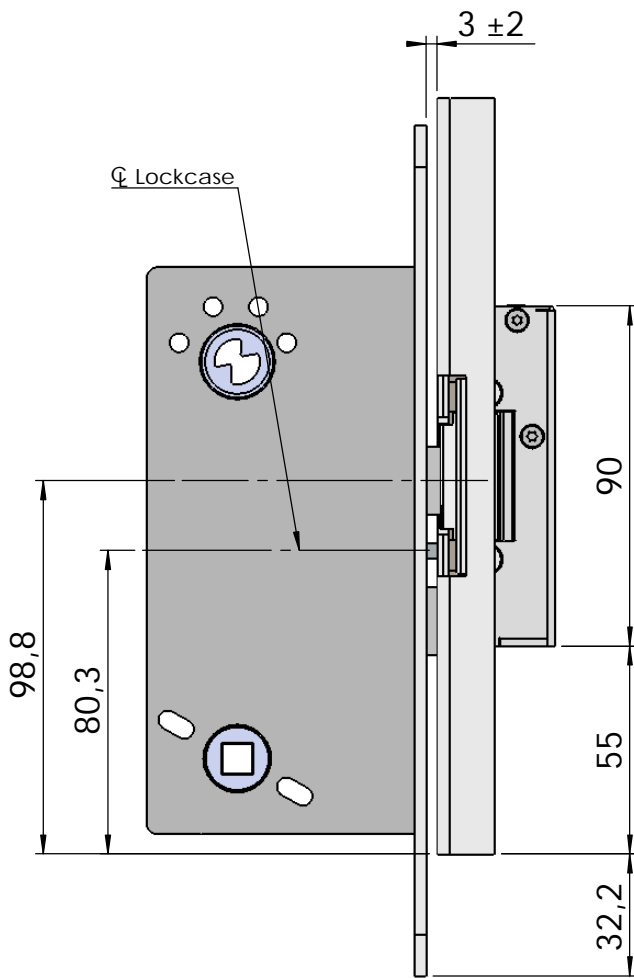
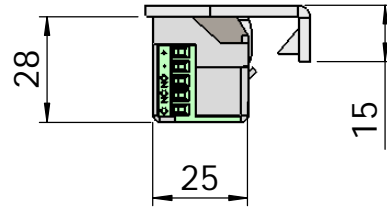
Drawing no. **ST4005-20**

Scale  
**1:2**





# Montering för Modul



This document shall not be copied without owners written allowance and its content shall not be exposed for third part nor be used for unauthorized purpose.

Owner  
**Stendals EI AB**

Title/Description  
STEP 40 med vinklad stolpe plös 20mm  
Montering för Modul

Drawing no. **ST4005-20**

Scale  
**1:2**

