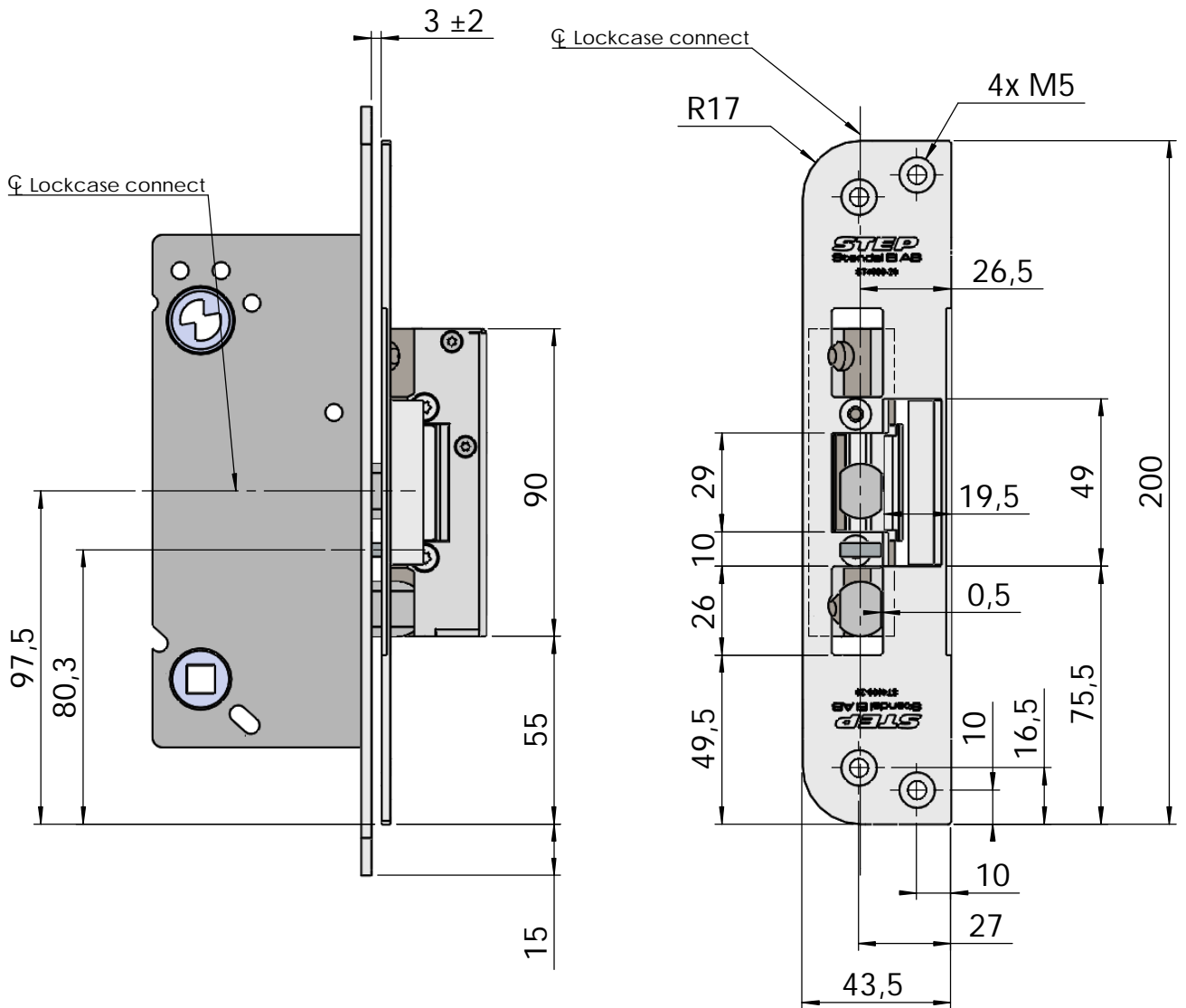
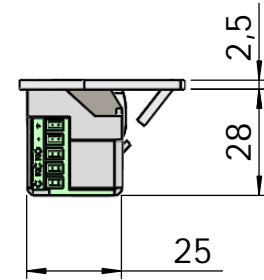




# Montering för Connect



This document shall not be copied without owners written allowance and its content shall not be exposed for third part nor be used for unauthorized purpose.

Owner

Stendals EI AB

Title/Description

STEP 40 med plan stolpe plös 20mm  
Montering för Connect

Drawing no.

ST4009-20

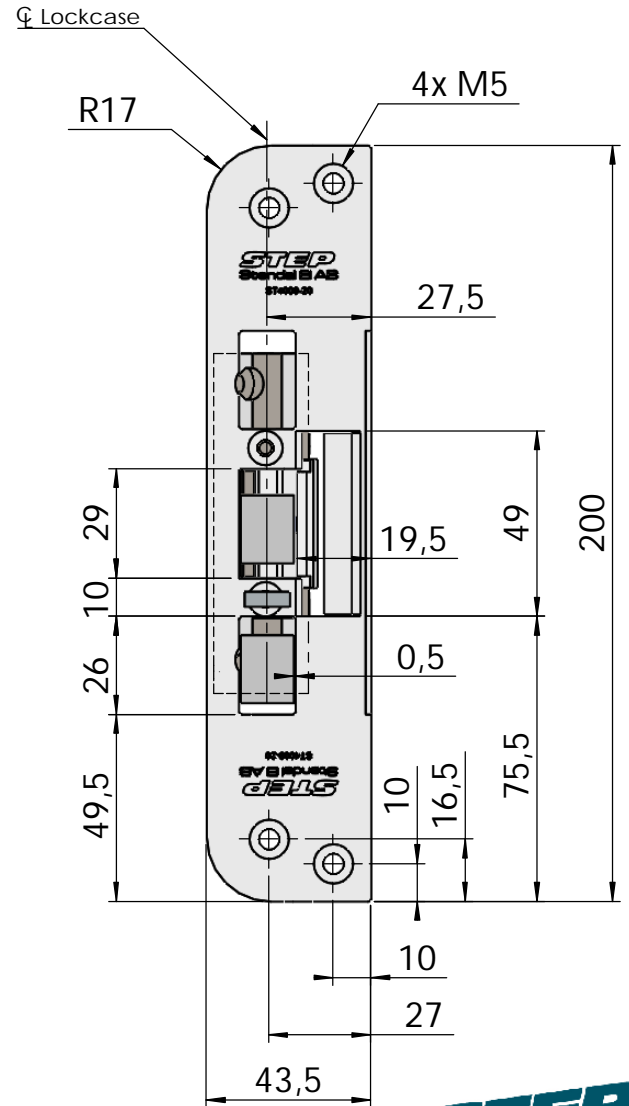
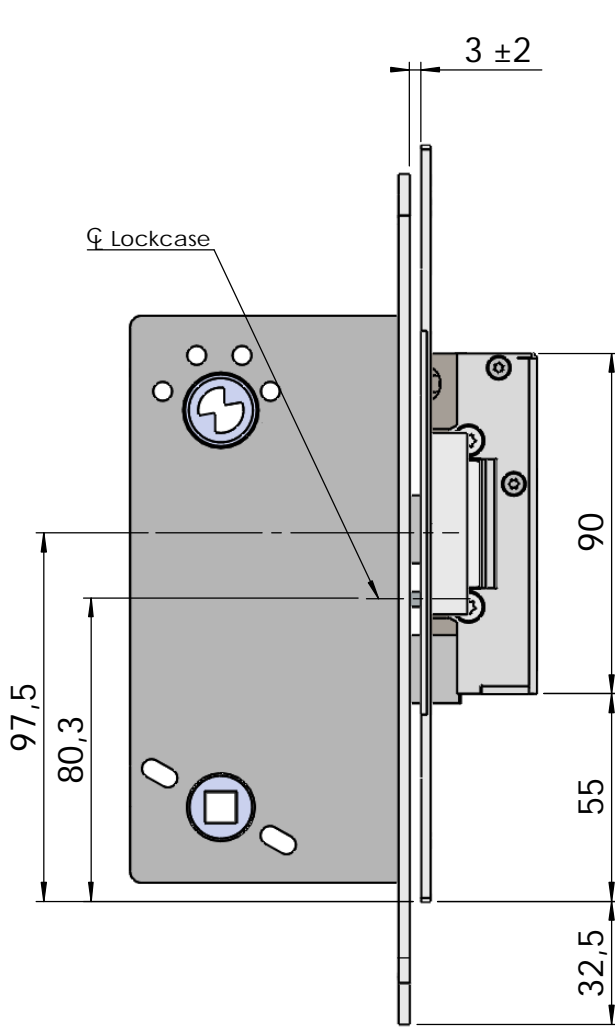
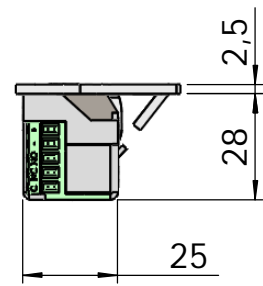
Scale

1:2





# Montering för Modul



This document shall not be copied without owners written allowance and its content shall not be exposed for third part nor be used for unauthorized purpose.

<p>Owner</p> <h2>Stendals EI AB</h2>	<p>Title/Description</p> <h3>STEP 40 med plan stolpe plös 20mm</h3> <h3>Montering för Modul</h3>
<p>Drawing no.</p> <h3>ST4009-20</h3>	<p>Scale</p> <h3>1:2</h3>

