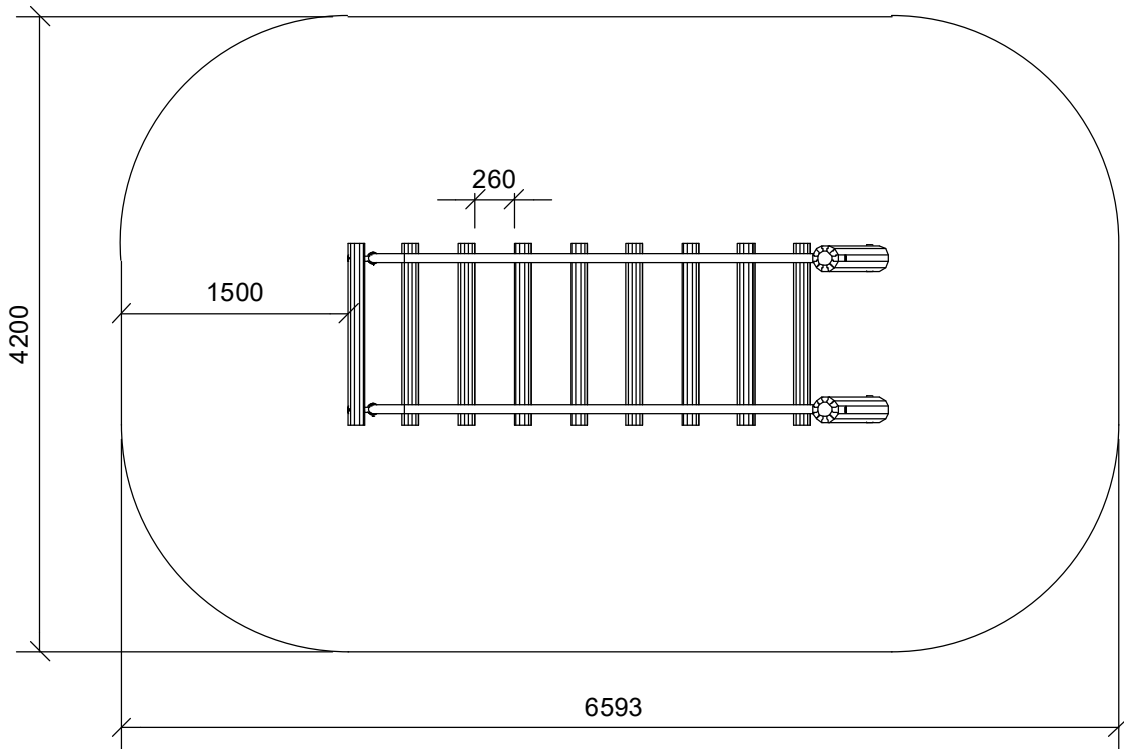


( 1/50 )



2



5,5h



27 m<sup>2</sup>



6,6x4,4x2,1m



~244 kg



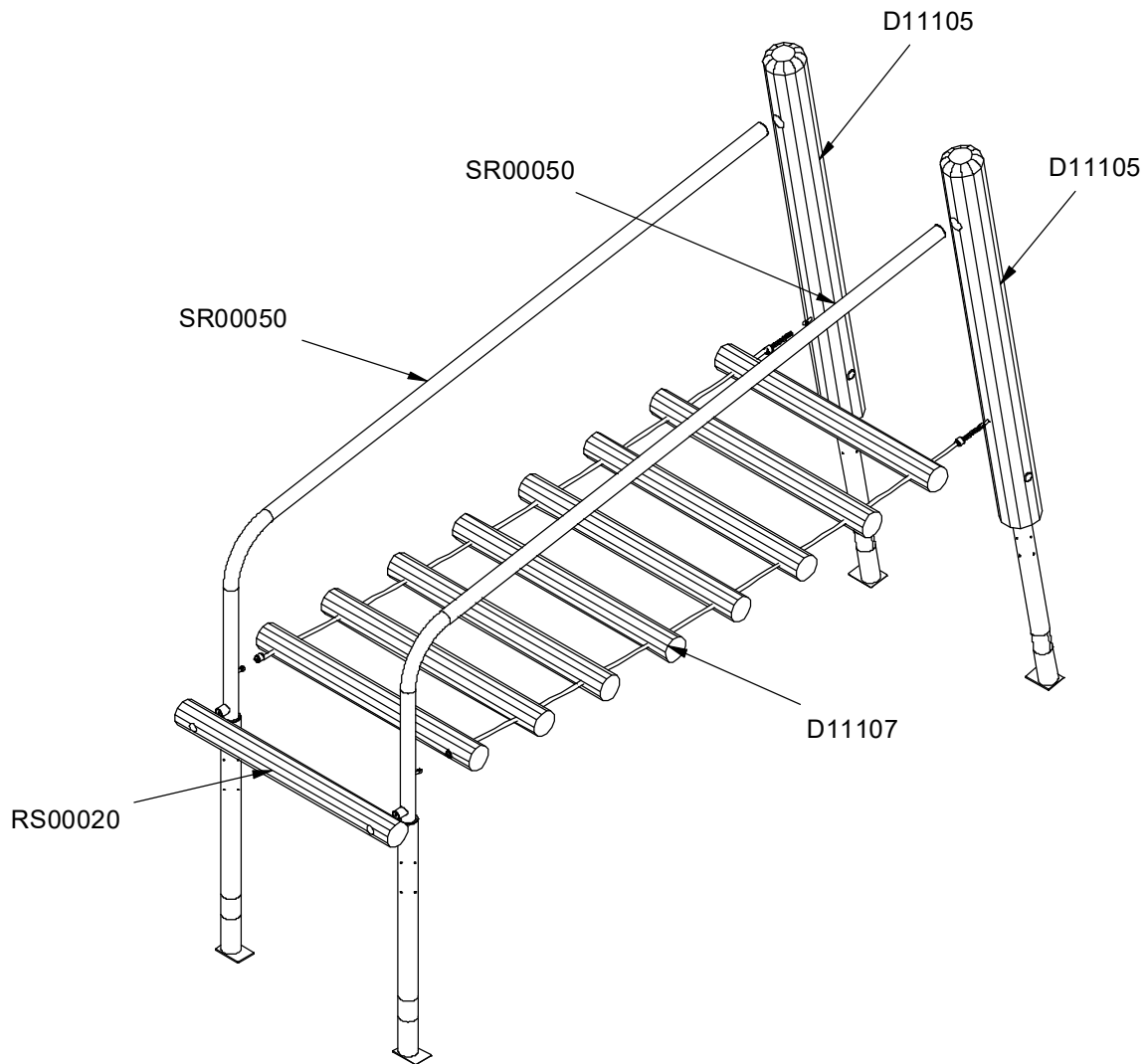
~0,14m<sup>3</sup>



Ø20x290 cm

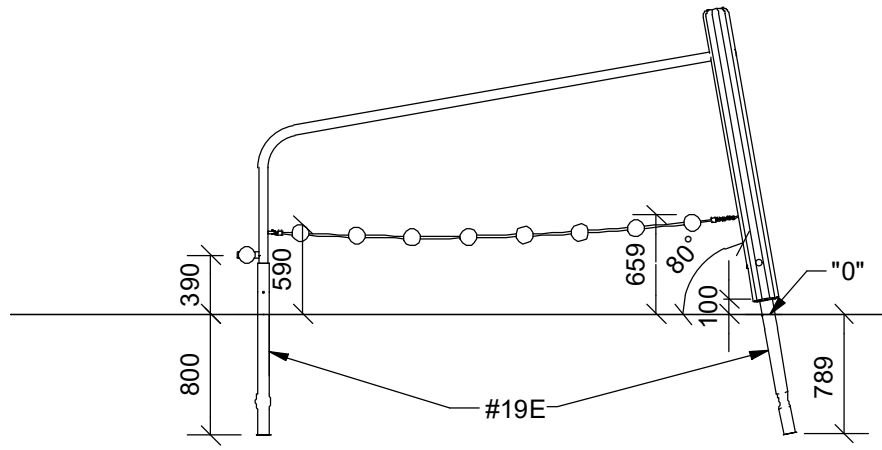


90 kg

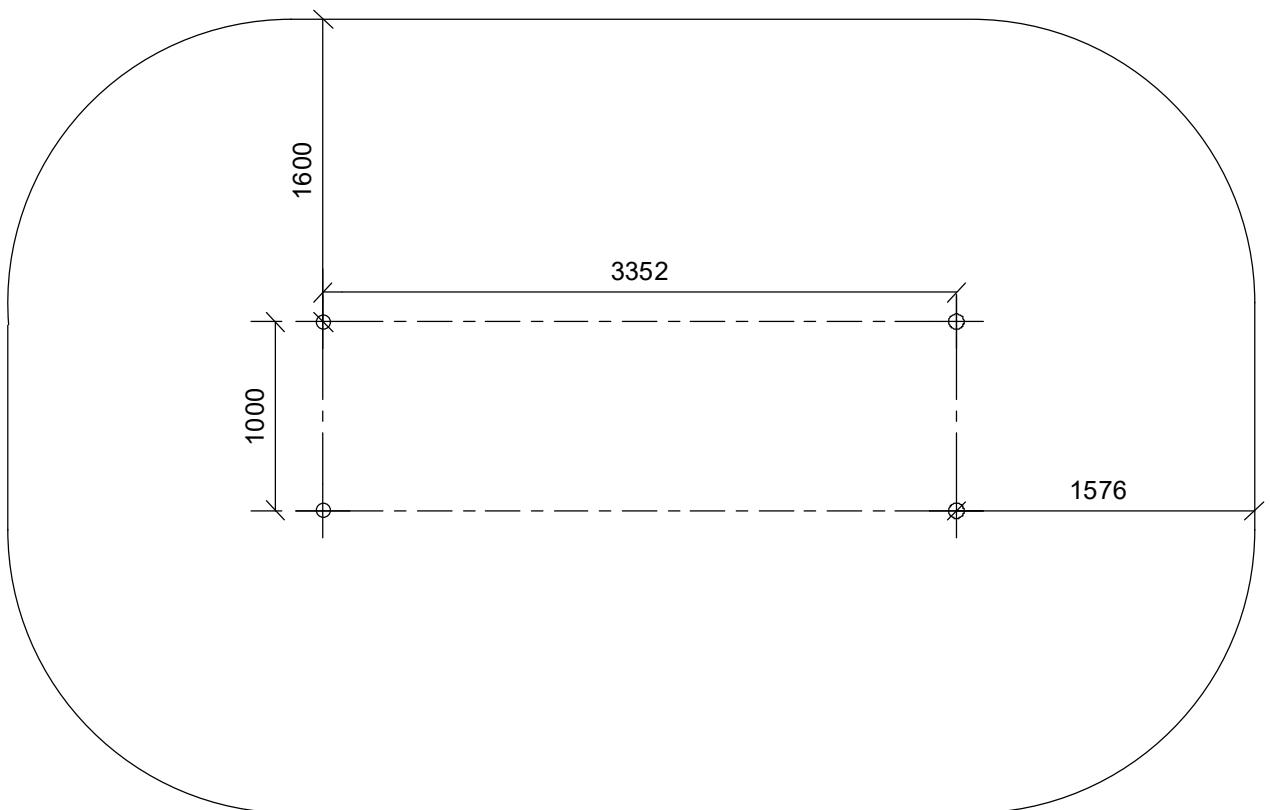


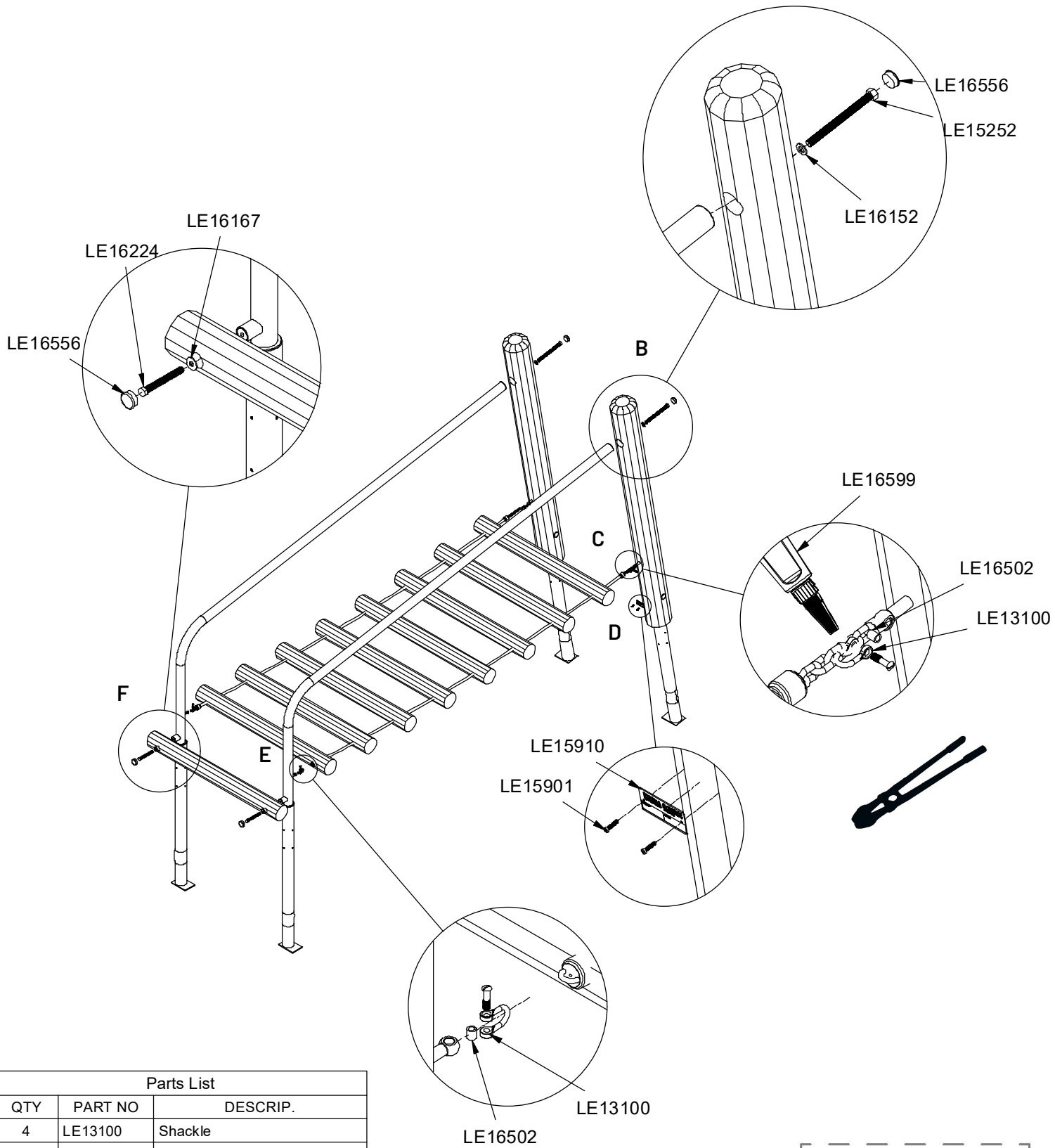
## Parts List

QTY	PART NO	DESCRIP.
2	D11105	Ø200x2900mm
1	D11107	Jungle bridge
1	RS00020	Ø120x1100mm
2	SR00050	Ø60,3/80 Tube



(1/40)





Parts List		
QTY	PART NO	DESCRIP.
4	LE13100	Shackle
2	LE15252	M16x200 mm
2	LE15901	3x16, PH
1	LE15910	Name tag
2	LE16152	M16 - Ø30 mm
2	LE16167	M12 - Ø32 mm
2	LE16224	M12x120mm bolt
4	LE16502	Spacer 6mm
4	LE16556	Ø42/38mm
1	LE16599	Sealtite 970 1,5 ml (Glue)

