

1



5,5h



41m³



8,3x5,3x2,8m



~287 kg



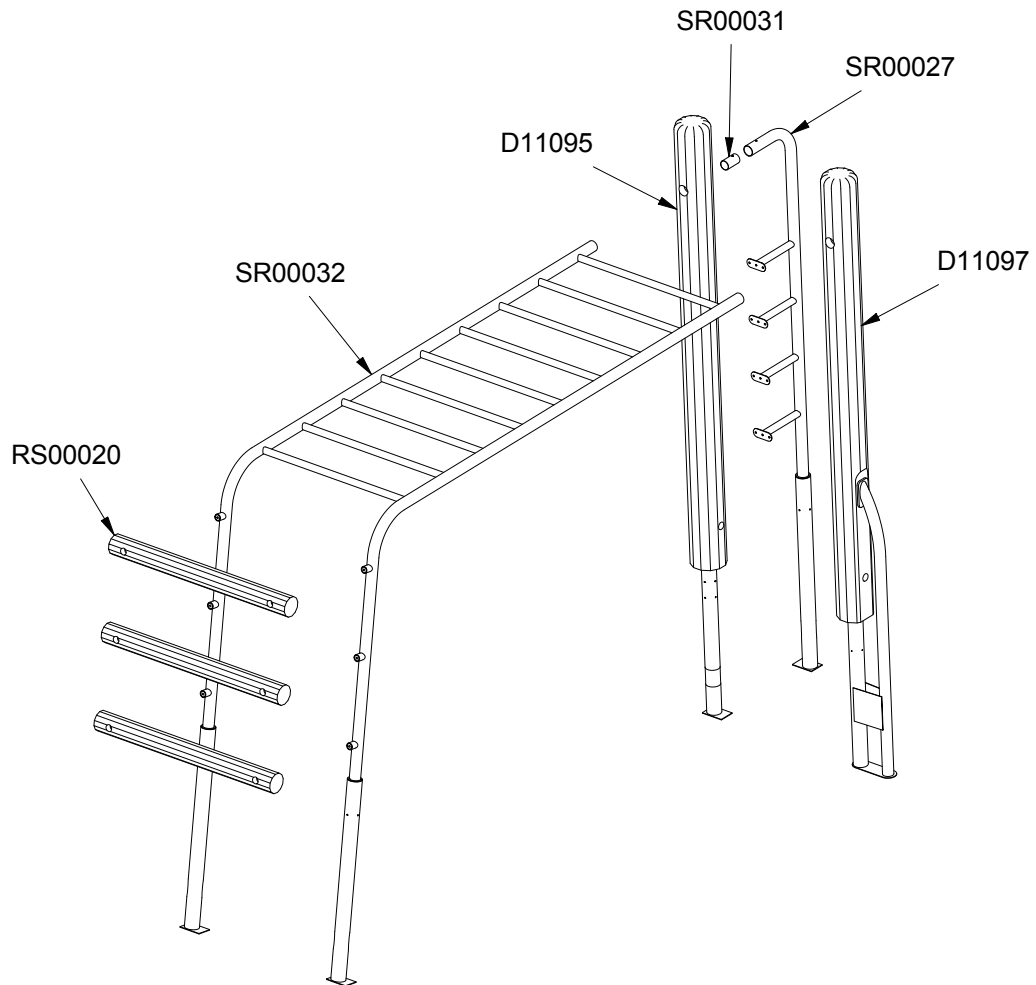
~0,18m³



310x320x110cm



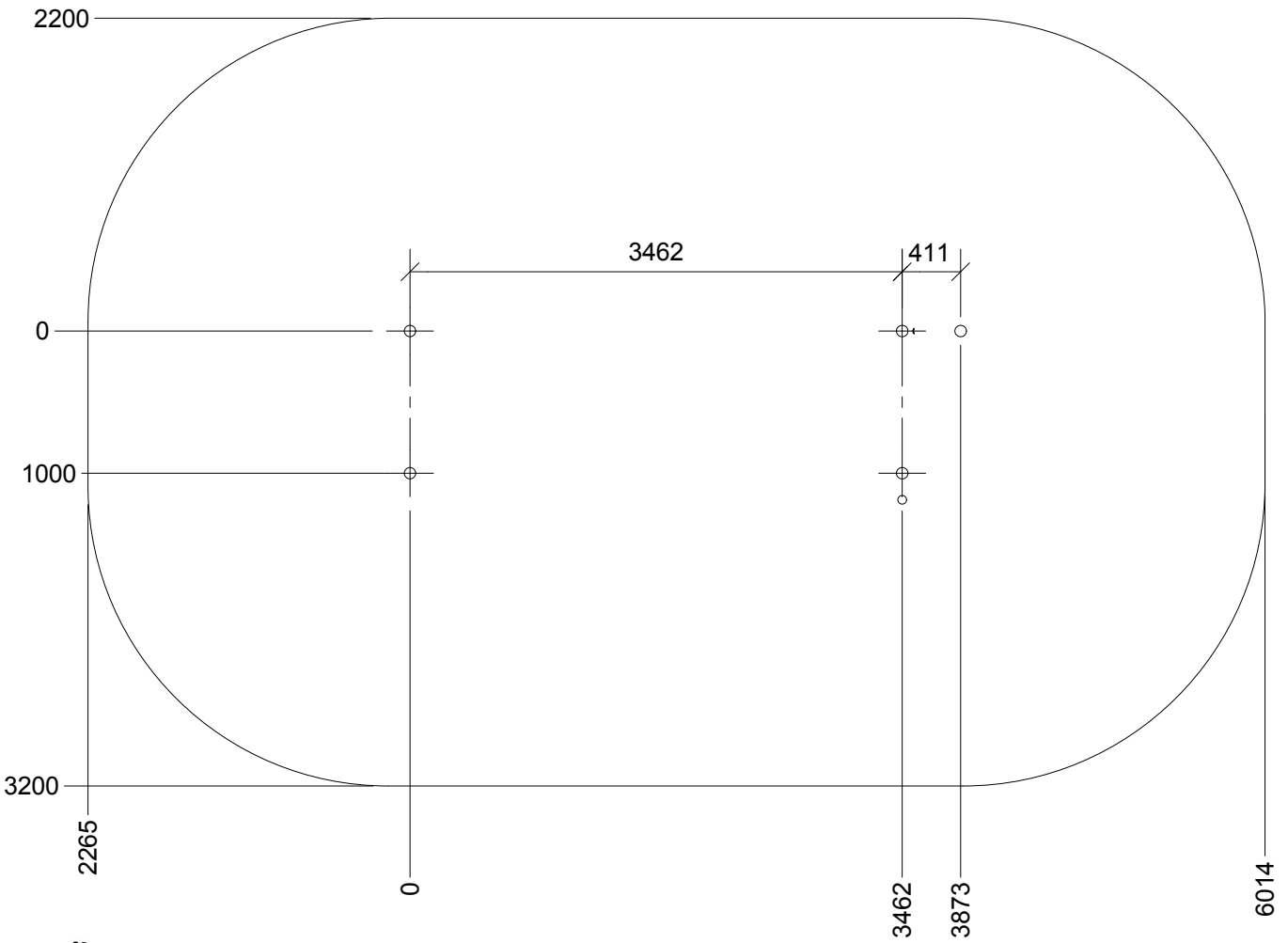
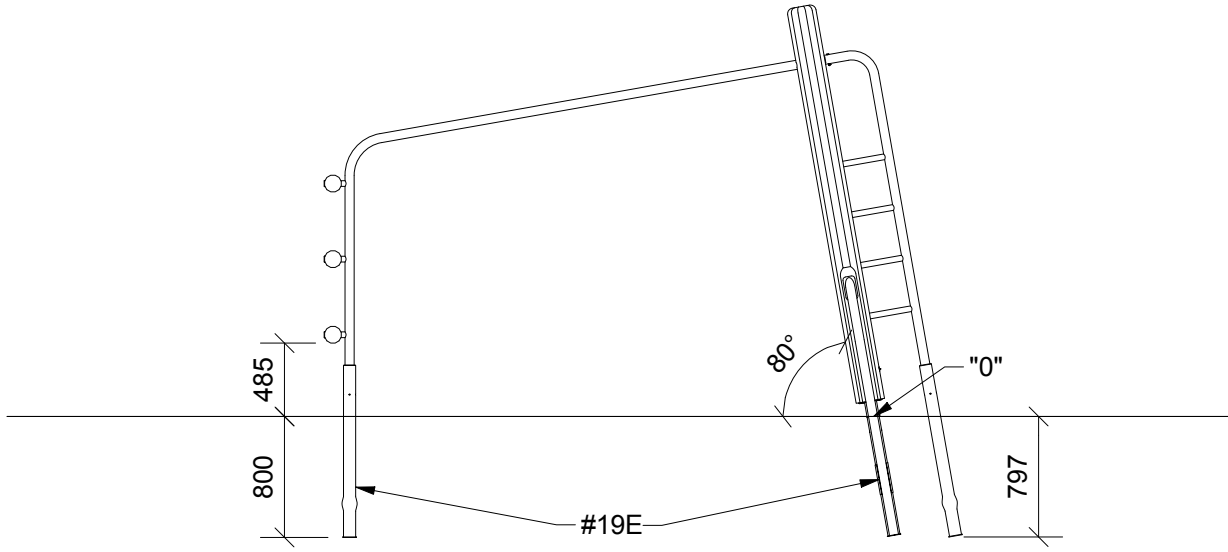
95kg

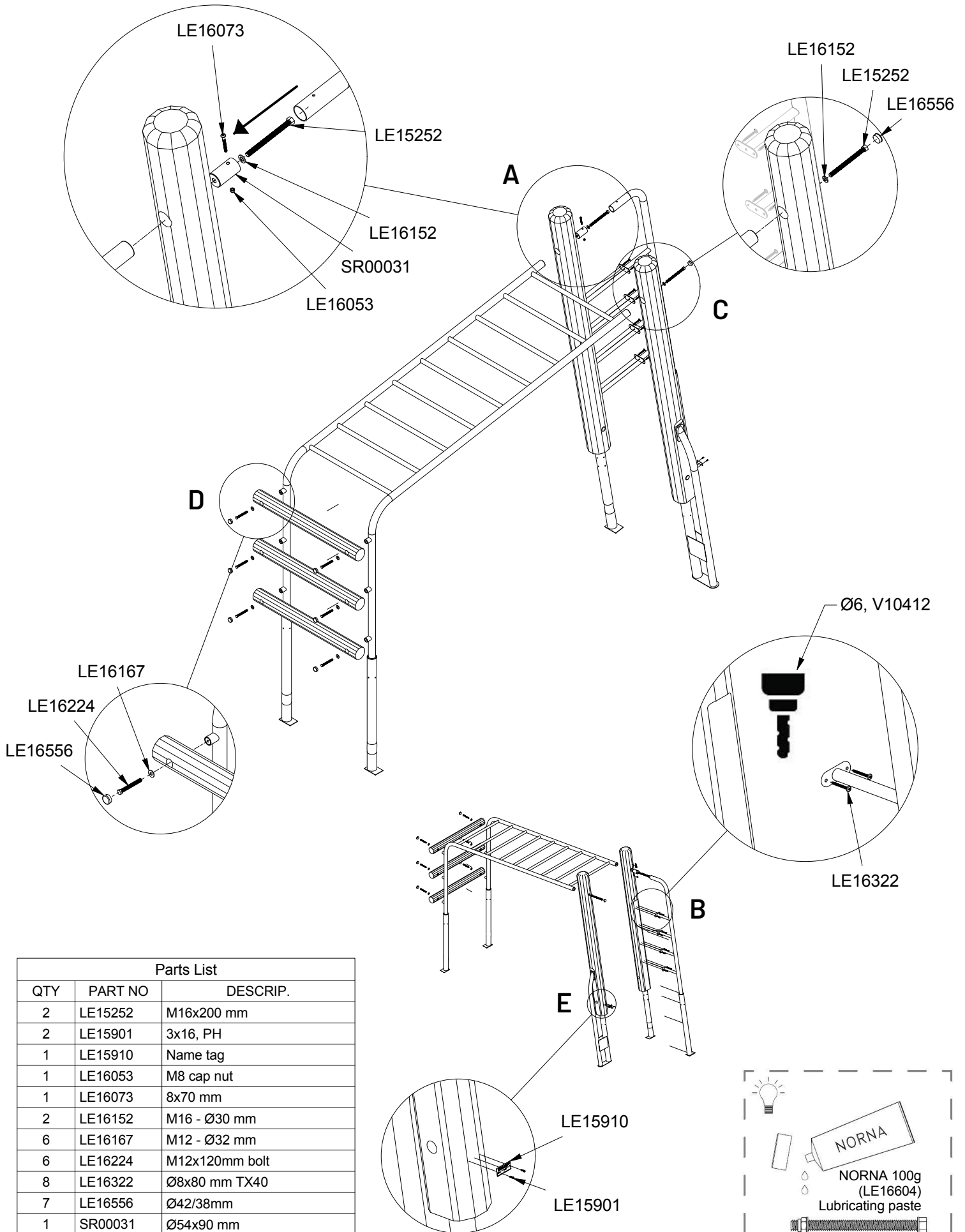


Parts List

QTY	PART NO	DESCRIP.
1	D11095	Ø200x3590mm, assembled
1	D11097	330x3590mm, assembled
3	RS00020	Ø120x1100mm
1	SR00027	Ø60/80, Side with steps
1	SR00031	Ø54x90 mm
1	SR00032	Ø60,3 Tube for Monkeybars

(1/50)





Parts List

QTY	PART NO	DESCRIP.
2	LE15252	M16x200 mm
2	LE15901	3x16, PH
1	LE15910	Name tag
1	LE16053	M8 cap nut
1	LE16073	8x70 mm
2	LE16152	M16 - Ø30 mm
6	LE16167	M12 - Ø32 mm
6	LE16224	M12x120mm bolt
8	LE16322	Ø8x80 mm TX40
7	LE16556	Ø42/38mm
1	SR00031	Ø54x90 mm
1	V10412	HSS Ø6x139mm

