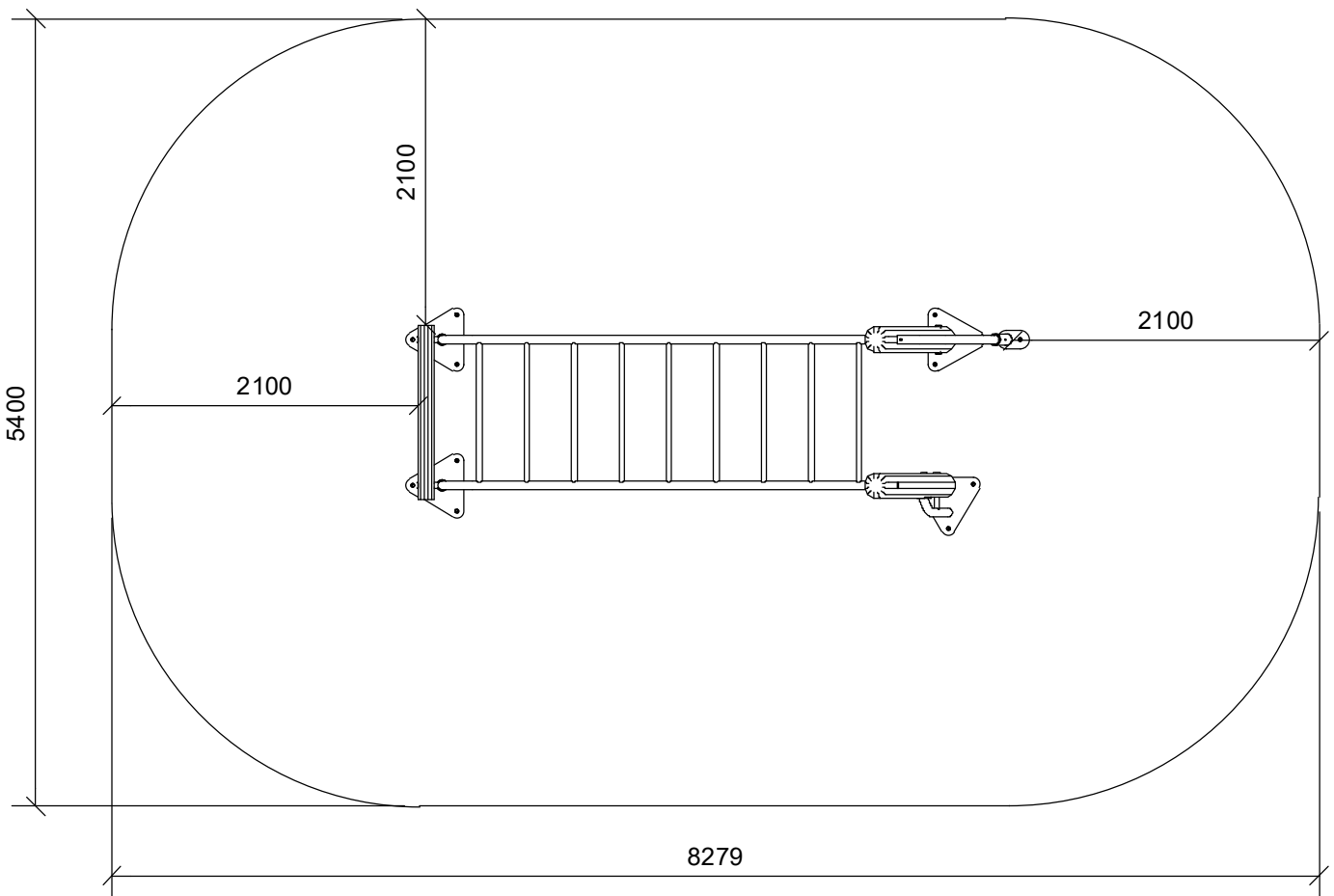


(1/50)



2



5,5h



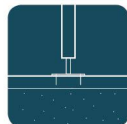
41m³



8,3x5,3x2,8m



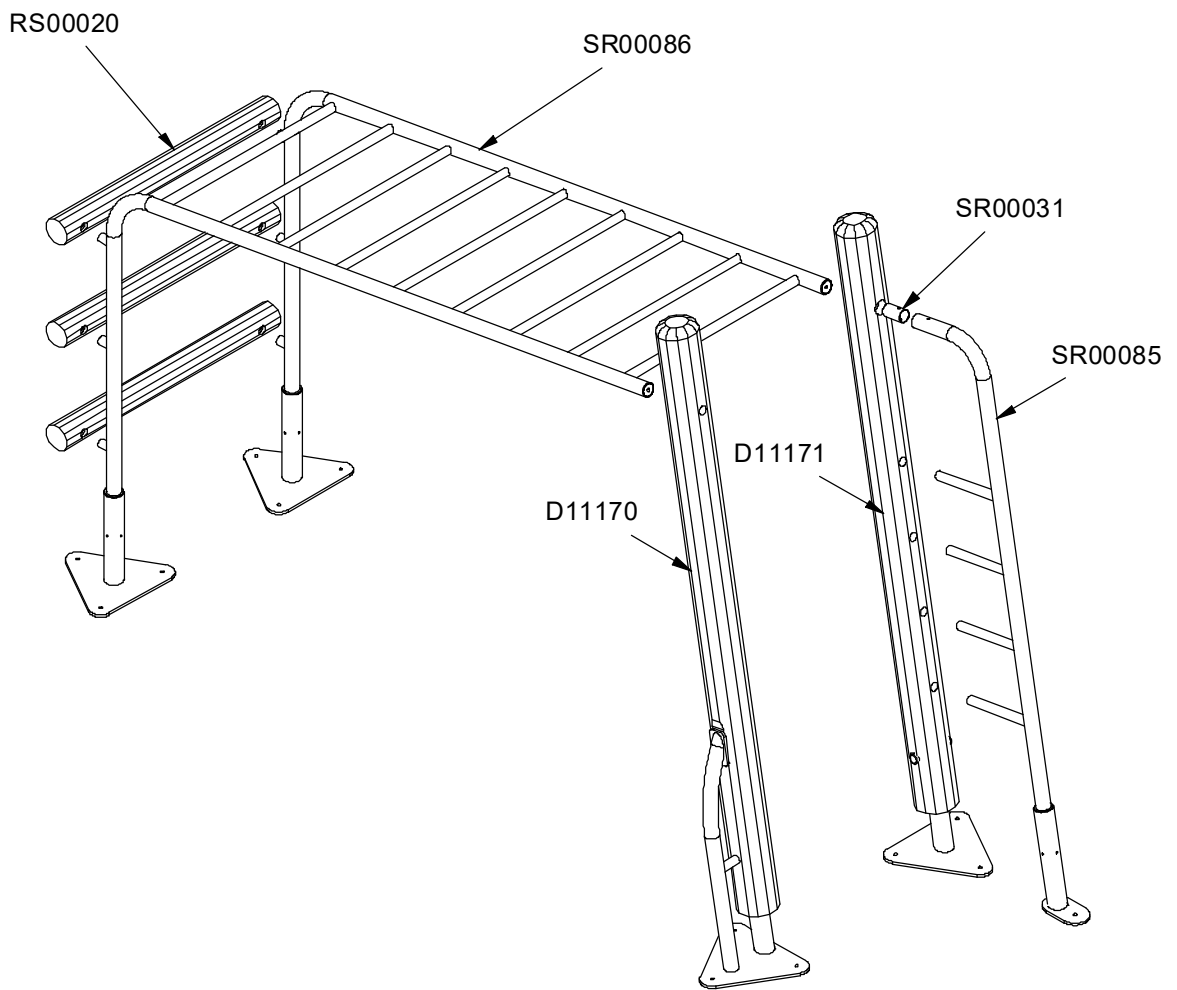
~277 kg



300x110x250cm

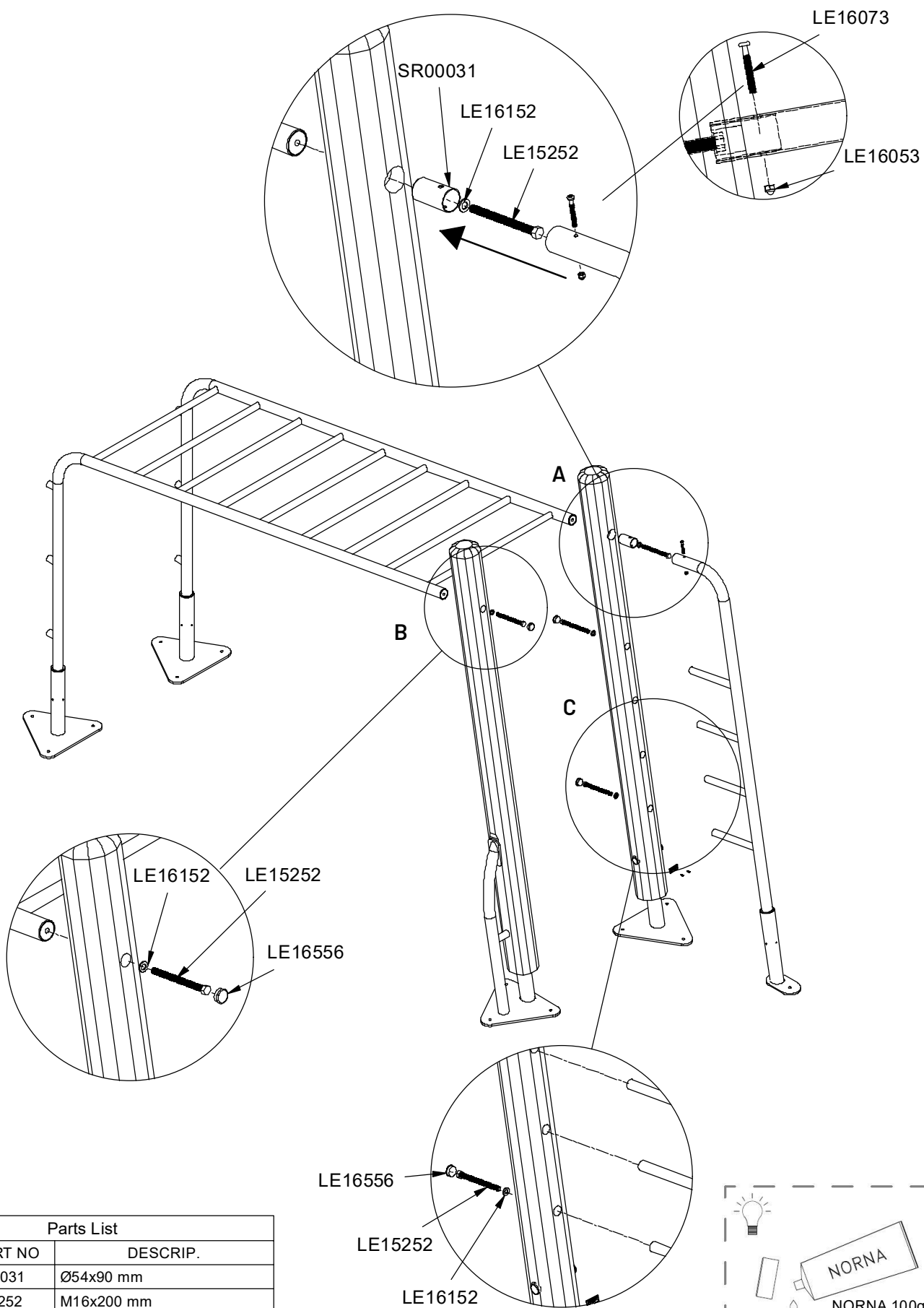


95kg

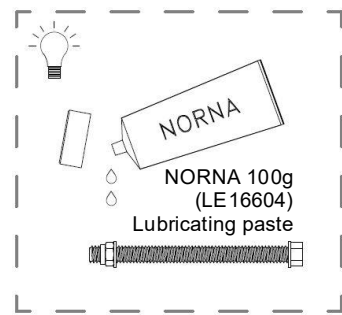


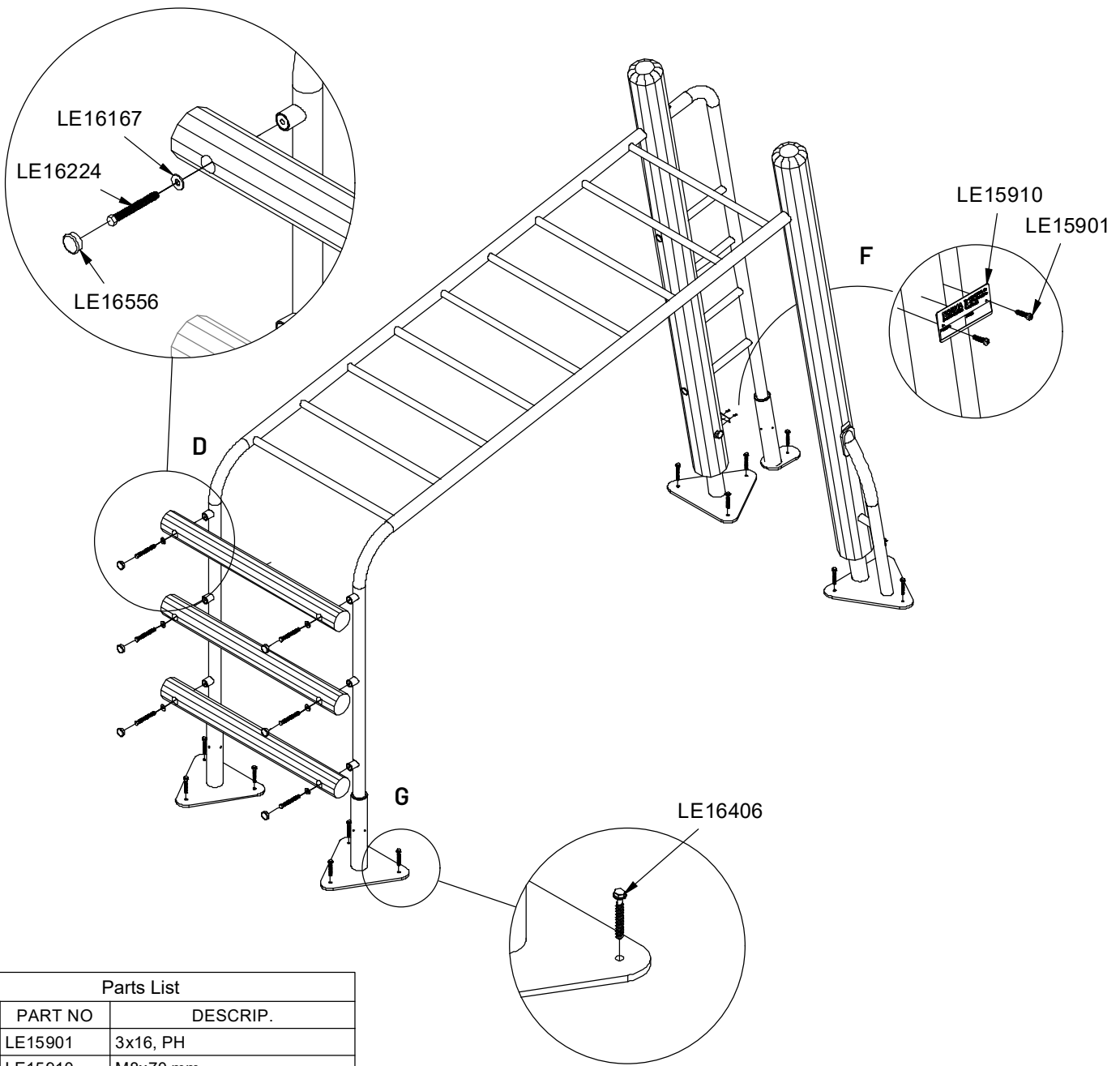
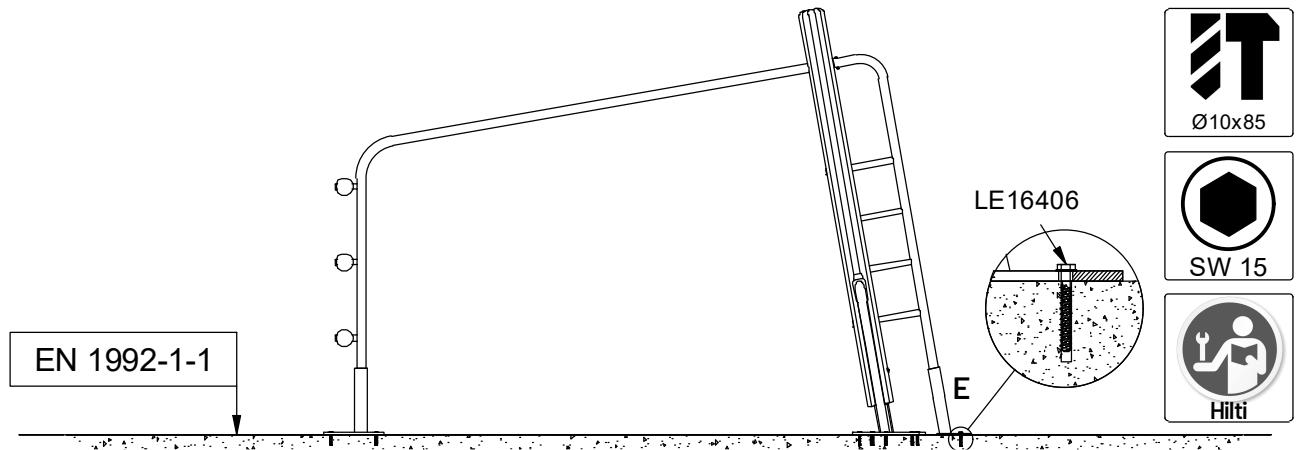
Parts List

| QTY | PART NO | DESCRIP. |
|-----|---------|--------------------------|
| 1 | D11170 | 450x2900 mm, assembled |
| 1 | D11171 | 450x2900 mm, assembled |
| 3 | RS00020 | Ø120x1100mm |
| 1 | SR00031 | Ø54x90 mm |
| 1 | SR00085 | Ø60/80, Side with steps |
| 1 | SR00086 | Ø60, Tube for Monkeybars |



| Parts List | | |
|------------|---------|--------------|
| QTY | PART NO | DESCRIP. |
| 1 | SR00031 | Ø54x90 mm |
| 4 | LE15252 | M16x200 mm |
| 4 | LE16152 | M16 - Ø30 mm |
| 3 | LE16556 | Ø42/38mm |
| 1 | LE16053 | M8 cap nut |
| 1 | LE16073 | 8x70 mm |





| Parts List | | |
|------------|---------|----------------|
| QTY | PART NO | DESCRIP. |
| 2 | LE15901 | 3x16, PH |
| 1 | LE15910 | M8x70 mm |
| 6 | LE16167 | M12 - Ø32 mm |
| 6 | LE16224 | M12x120mm bolt |
| 13 | LE16406 | 10x85 mm |
| 6 | LE16556 | Ø42/38mm |