

2



8,5h



43 m³



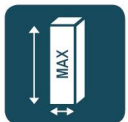
9,7x5,2x3,1m



~423 kg



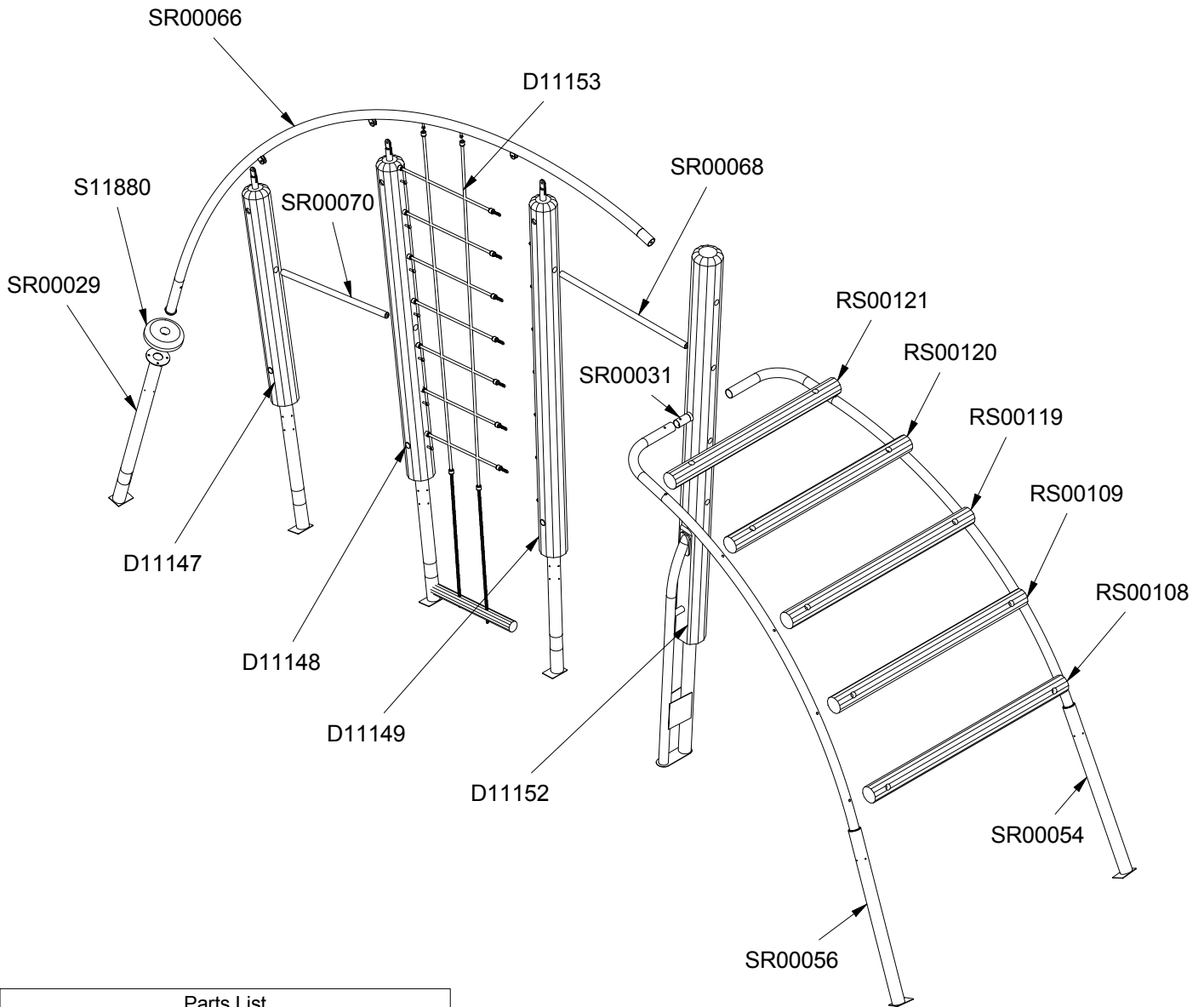
~0,25 m³



33x395 cm

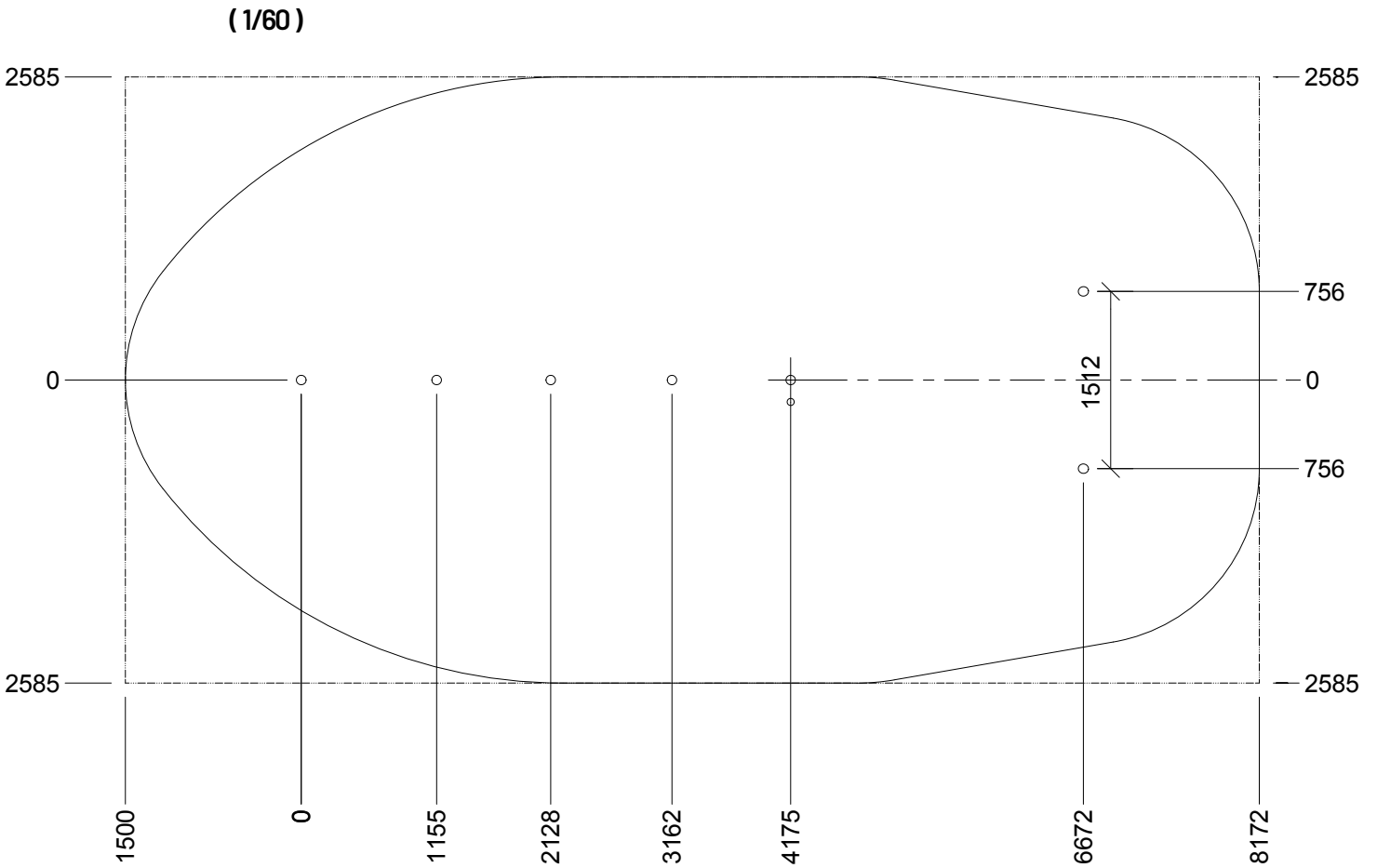
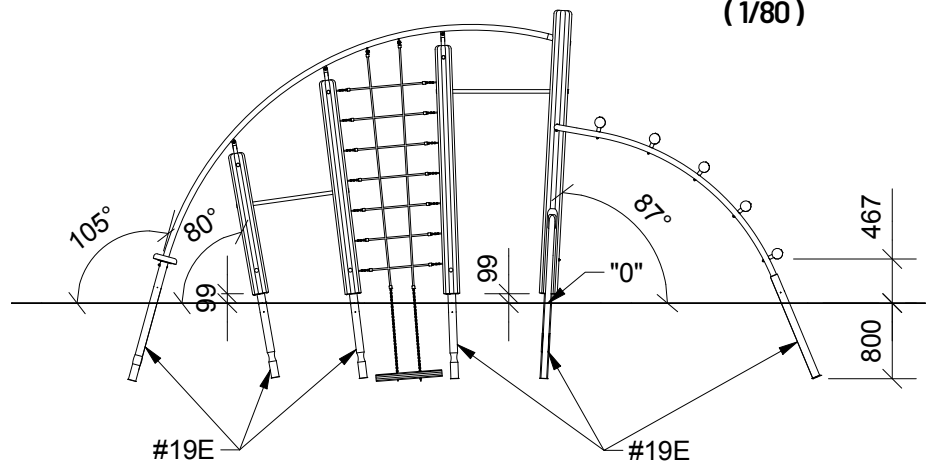


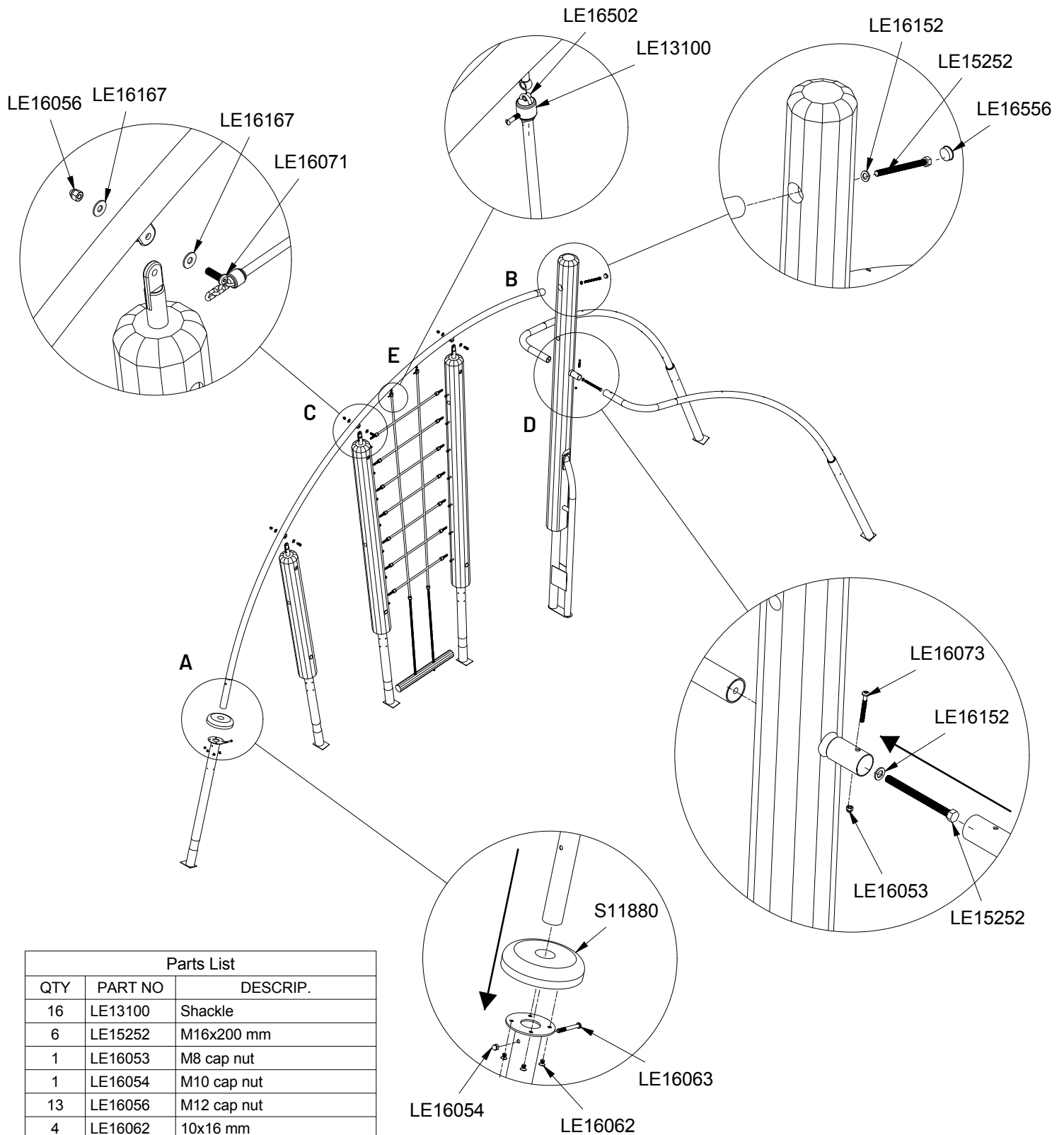
105 kg



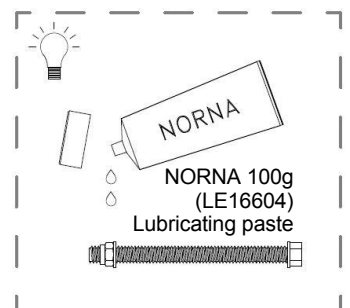
Parts List

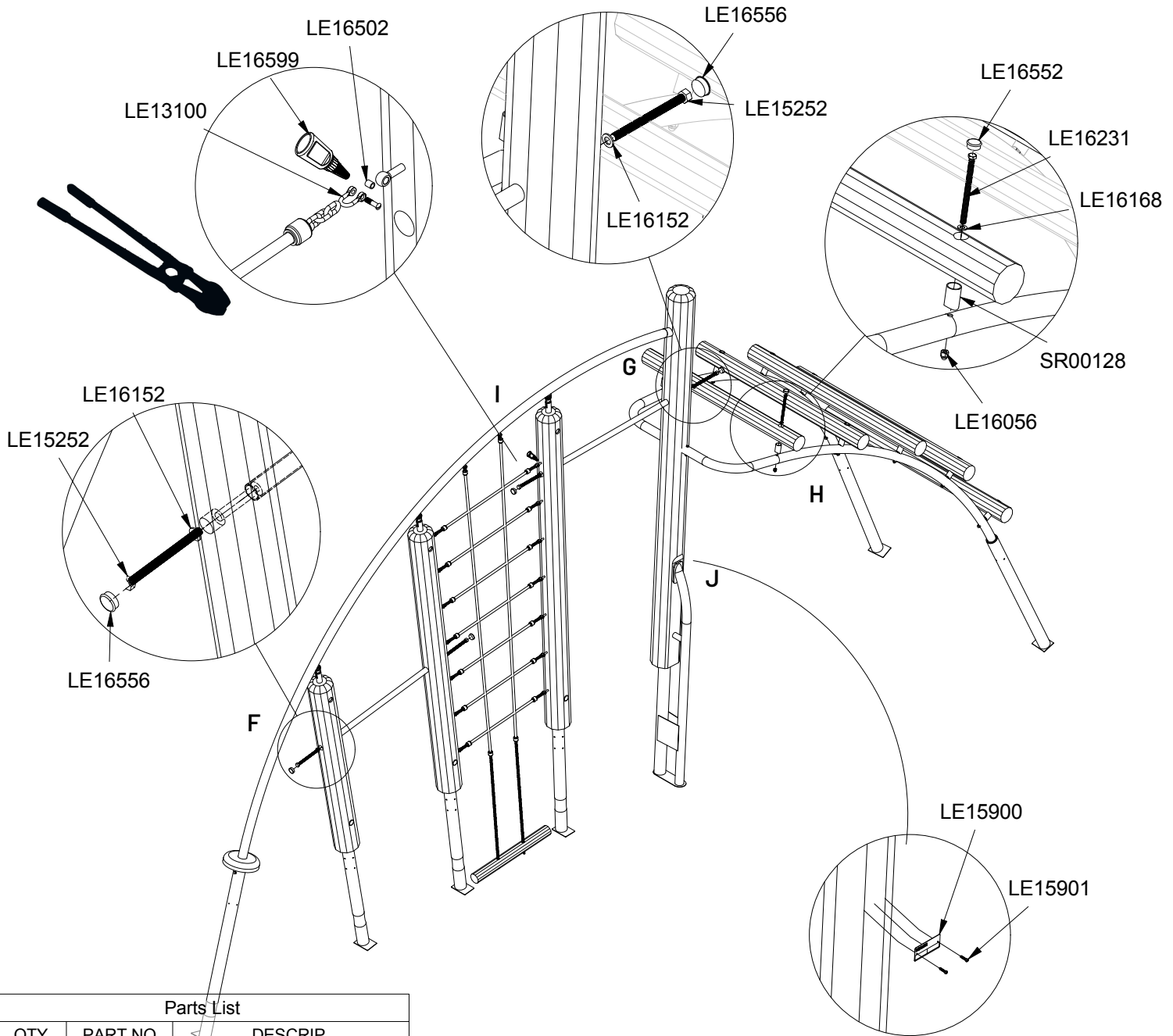
QTY	PART NO	DESCRIP.
1	D11147	Ø180x2590 mm, assembled
1	D11148	Ø180x3360 mm, assembled
1	D11149	Ø180x3700 mm, assembled
1	D11152	330x3950mm, assembled
1	RS00108	Robinia, Ø120x1700mm
1	RS00109	Robinia, Ø120x1650mm
1	RS00119	Robinia, Ø120x1600mm
1	RS00120	Robinia, Ø120x1550mm
1	RS00121	Robinia, Ø120x1450mm
1	S11880	Ø250/45 mm
1	SR00029	Ø80x1345 mm
1	SR00031	Ø54x90 mm
1	SR00054	Ø60/Ø80 right ladder frame
1	SR00056	Ø60/Ø80 left ladder frame
1	SR00066	Ø60 Tube for Sun Arc
1	SR00068	Ø38x1100mm, bar
1	SR00070	Ø38x925mm, bar
1	D11153	Taifun





Parts List		
QTY	PART NO	DESCRIP.
16	LE13100	Shackle
6	LE15252	M16x200 mm
1	LE16053	M8 cap nut
1	LE16054	M10 cap nut
13	LE16056	M12 cap nut
4	LE16062	10x16 mm
1	LE16063	10x90 mm
3	LE16071	12x40 mm
1	LE16073	8x70 mm
6	LE16152	M16 - Ø30 mm
6	LE16167	M12 - Ø32 mm
16	LE16502	Spacer 6mm
5	LE16556	Ø42/38mm
2	LE16599	Sealtite 970 1,5 ml (Glue)
1	S11880	Ø250/45 mm
1	SR00031	Ø54x90 mm





Parts List		
QTY	PART NO	DESCRIP.
16	LE13100	Shackle
6	LE15252	M16x200 mm
1	LE15900	Name tag
2	LE15901	3x16, PH
6	LE16152	M16 - Ø30 mm
10	LE16168	M12 - Ø24 mm
10	LE16231	M12x190
16	LE16502	Spacer 6mm
10	LE16552	Ø34/38 mm
2	LE16599	Sealtite 970 1,5 ml (Glue)
1	RS00108	Robinia, Ø120x1700mm
1	RS00109	Robinia, Ø120x1650mm
1	RS00119	Robinia, Ø120x1600mm
1	RS00120	Robinia, Ø120x1550mm
1	RS00121	Robinia, Ø120x1450mm
1	SR00068	Ø38x1100mm, bar
1	SR00070	Ø38x925mm, bar
10	SR00128	Ø38 mm, Spacer

