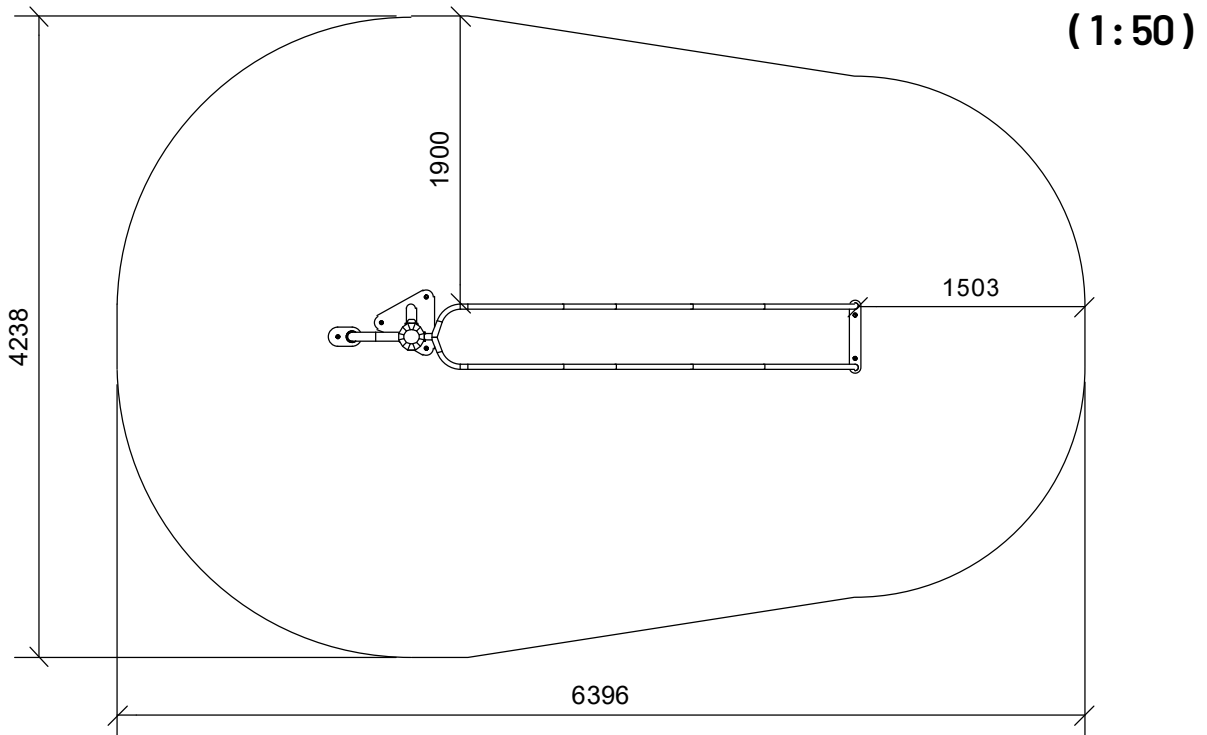
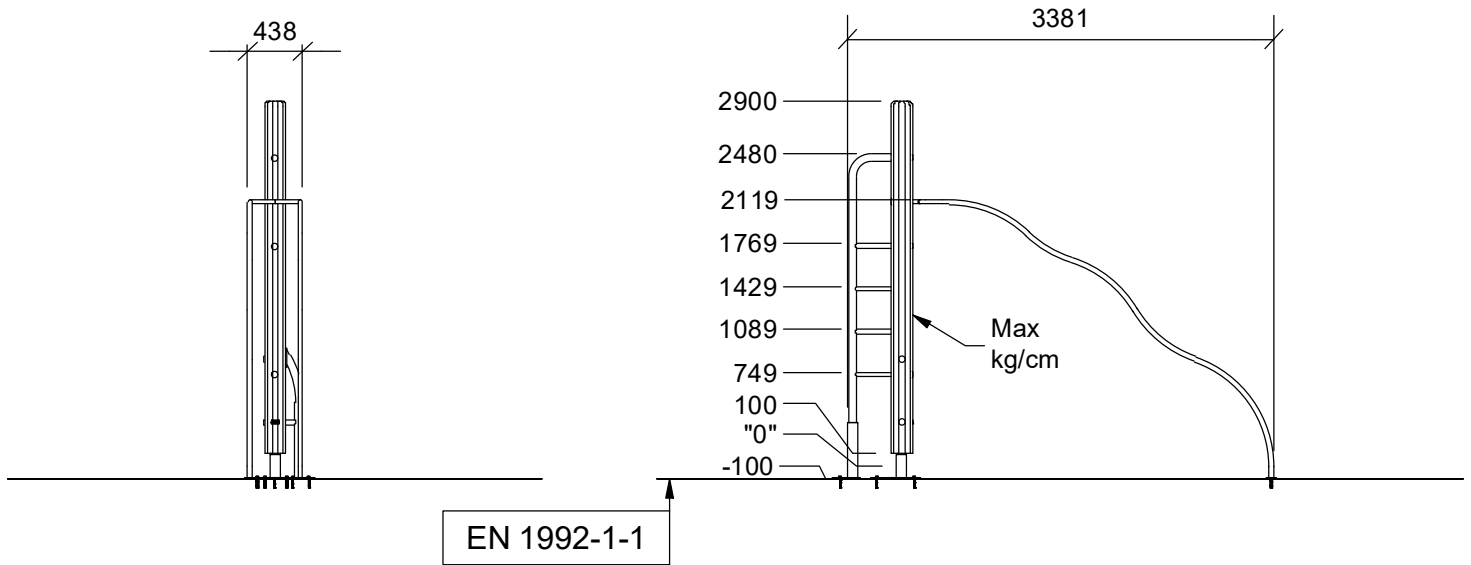


(1:60)



2



4,5h



23m²



6,4x4,3x2,9m



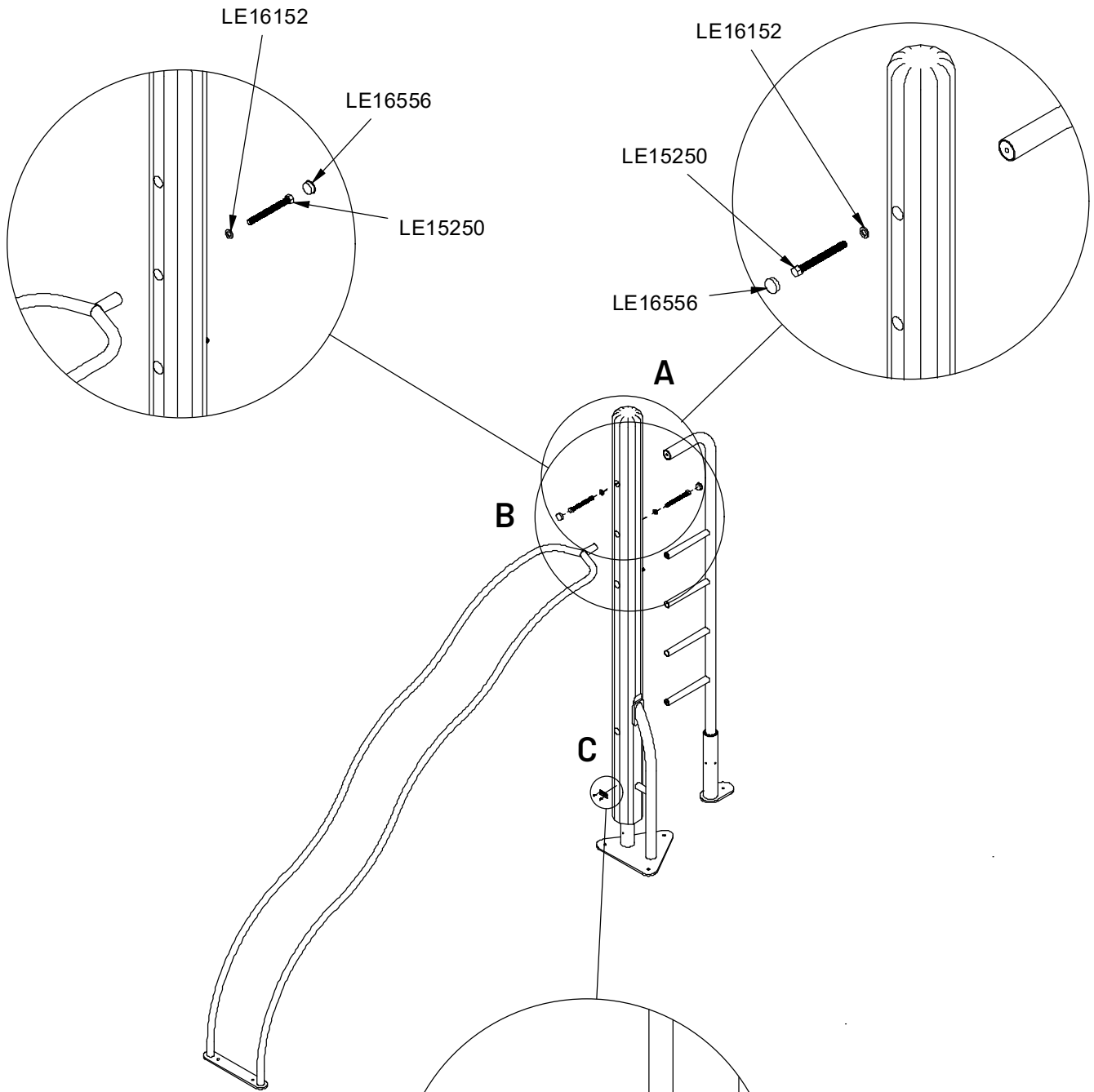
~116 kg



48x225x295cm

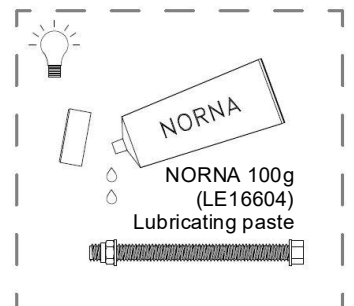


95kg

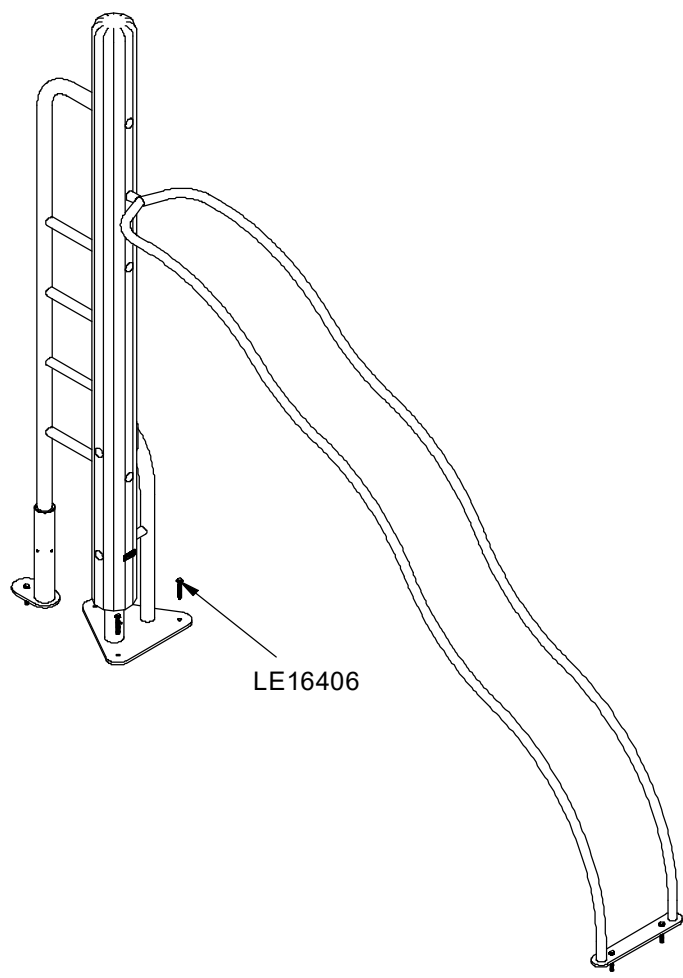
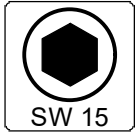
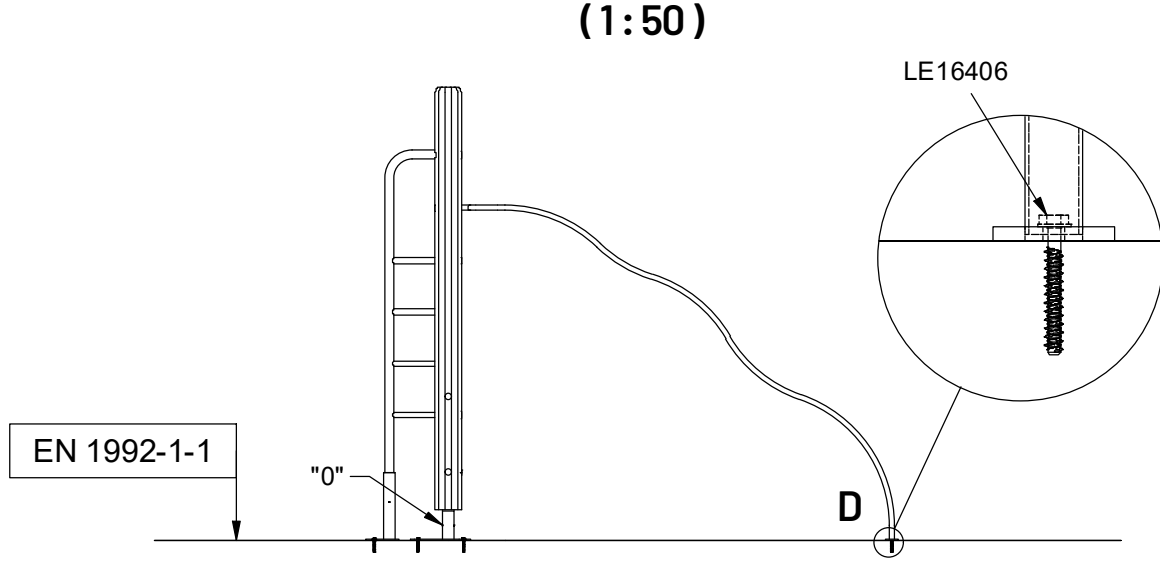


Parts List		
QTY	PART NO	DESCRIP.
1	D11440	450x3000mm, assembled
4	LE15250	M16x170 mm
2	LE15901	3x16, PH
1	LE15910	Name tag
4	LE16152	M16 - Ø30 mm
4	LE16556	Ø42/38mm
1	SR00131	Side with steps
1	SR00132	Slide tube

LE15901
LE15910



(1:50)



Parts List		
QTY	PART NO	DESCRIP.
6	LE16406	10x85 mm