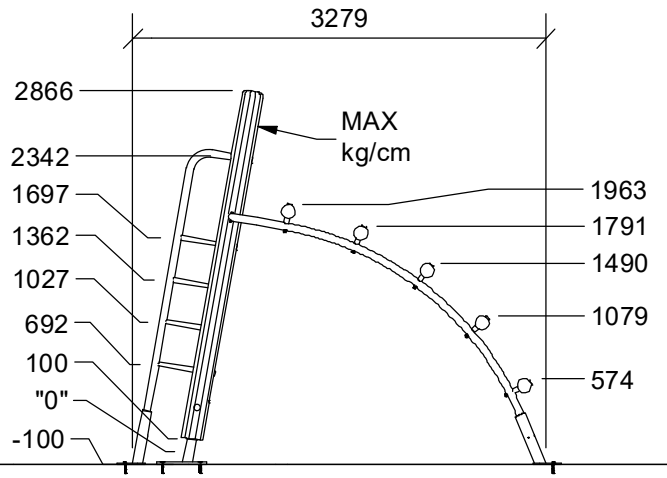
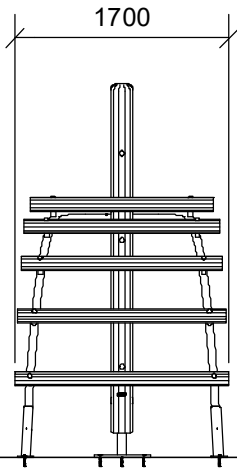
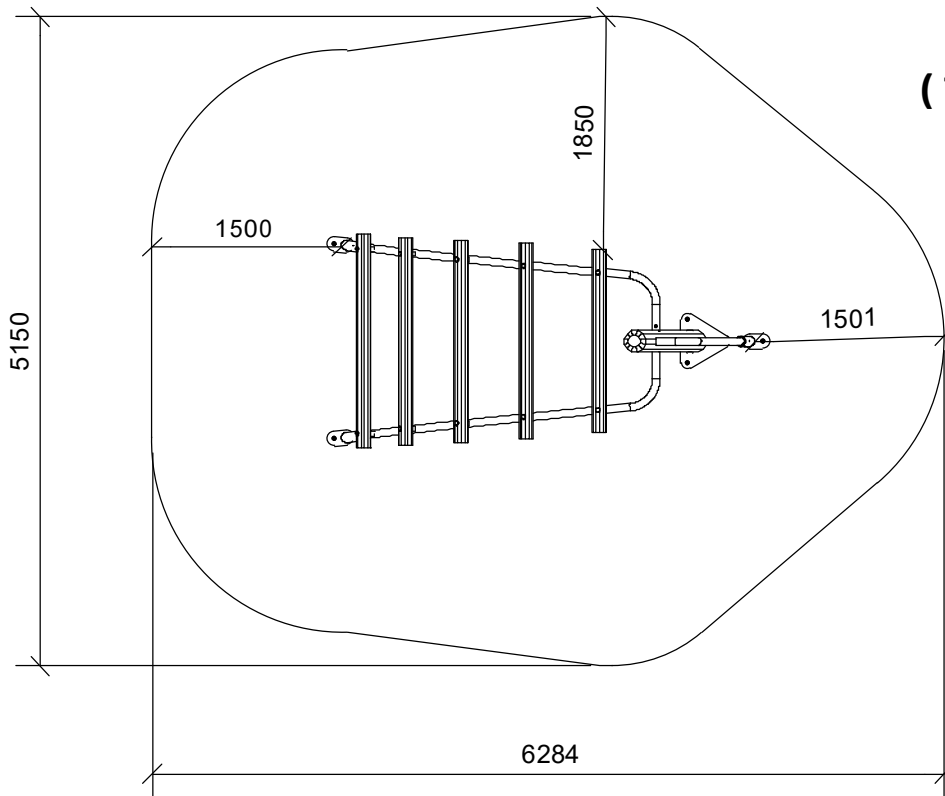


(1:60)



EN 1992-1-1

(1:60)



x2



4,5h



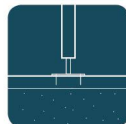
26m²



6,3x5,2x2,9m



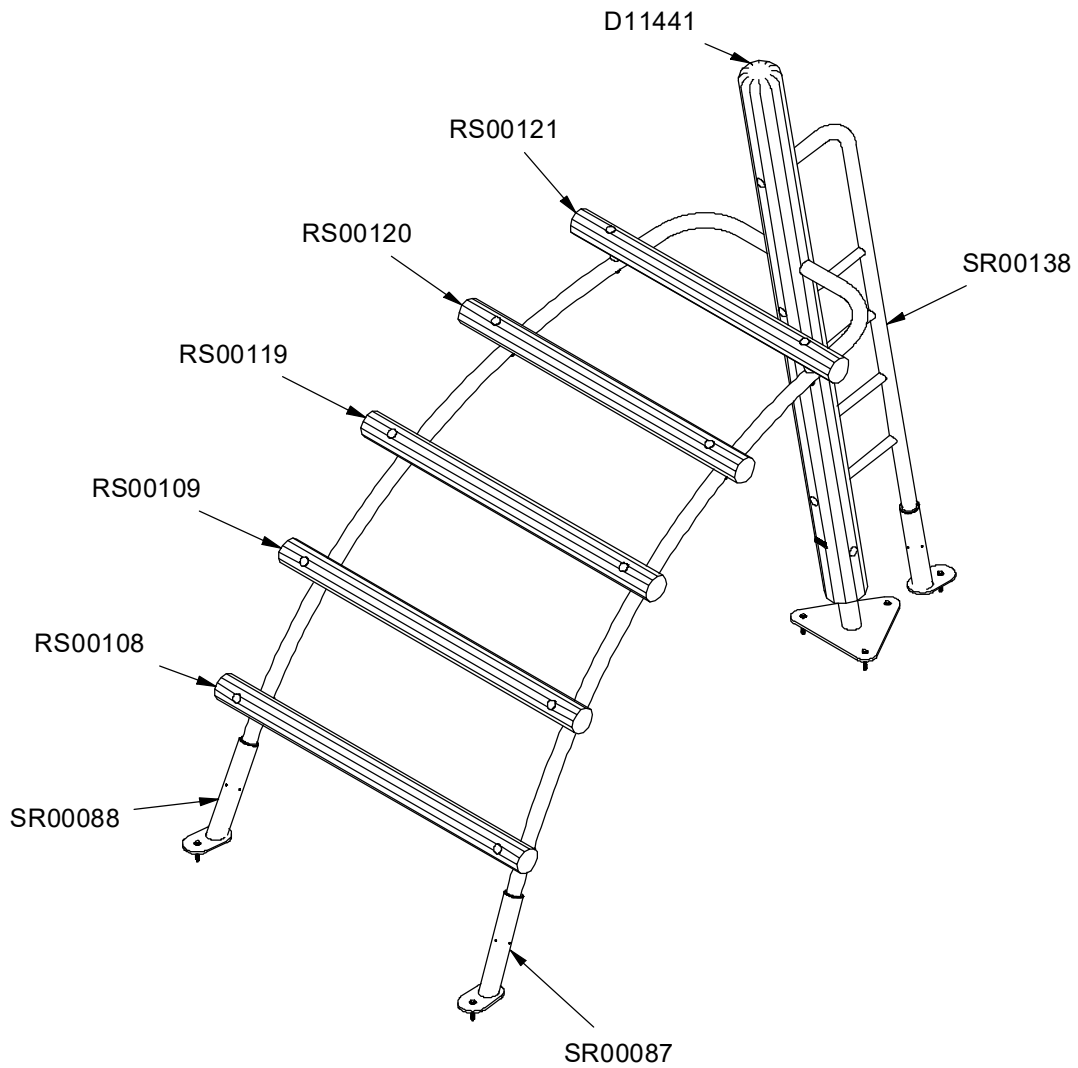
~204 kg



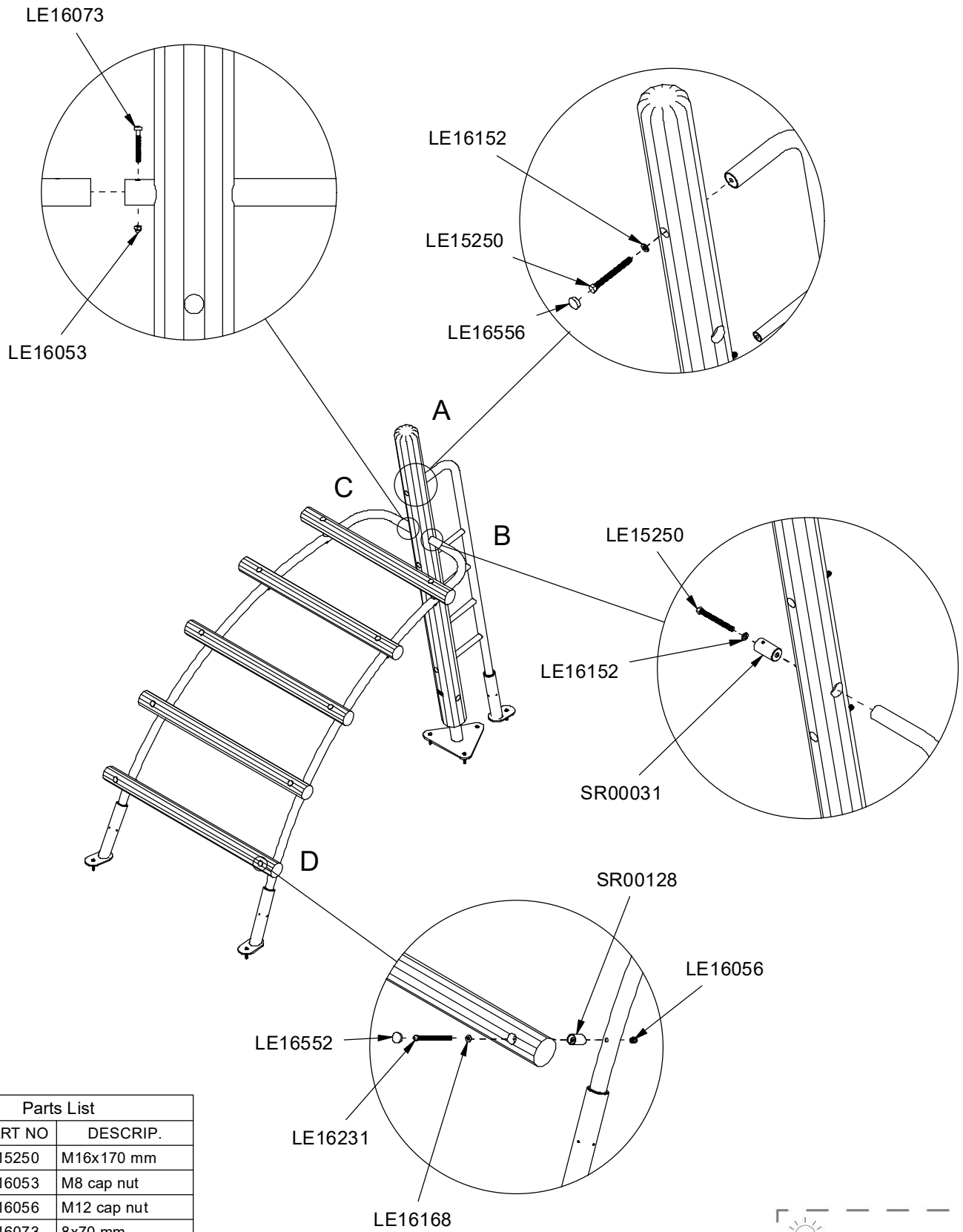
45x300cm



80kg

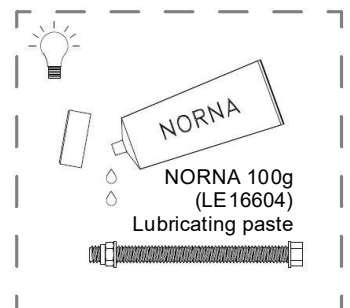


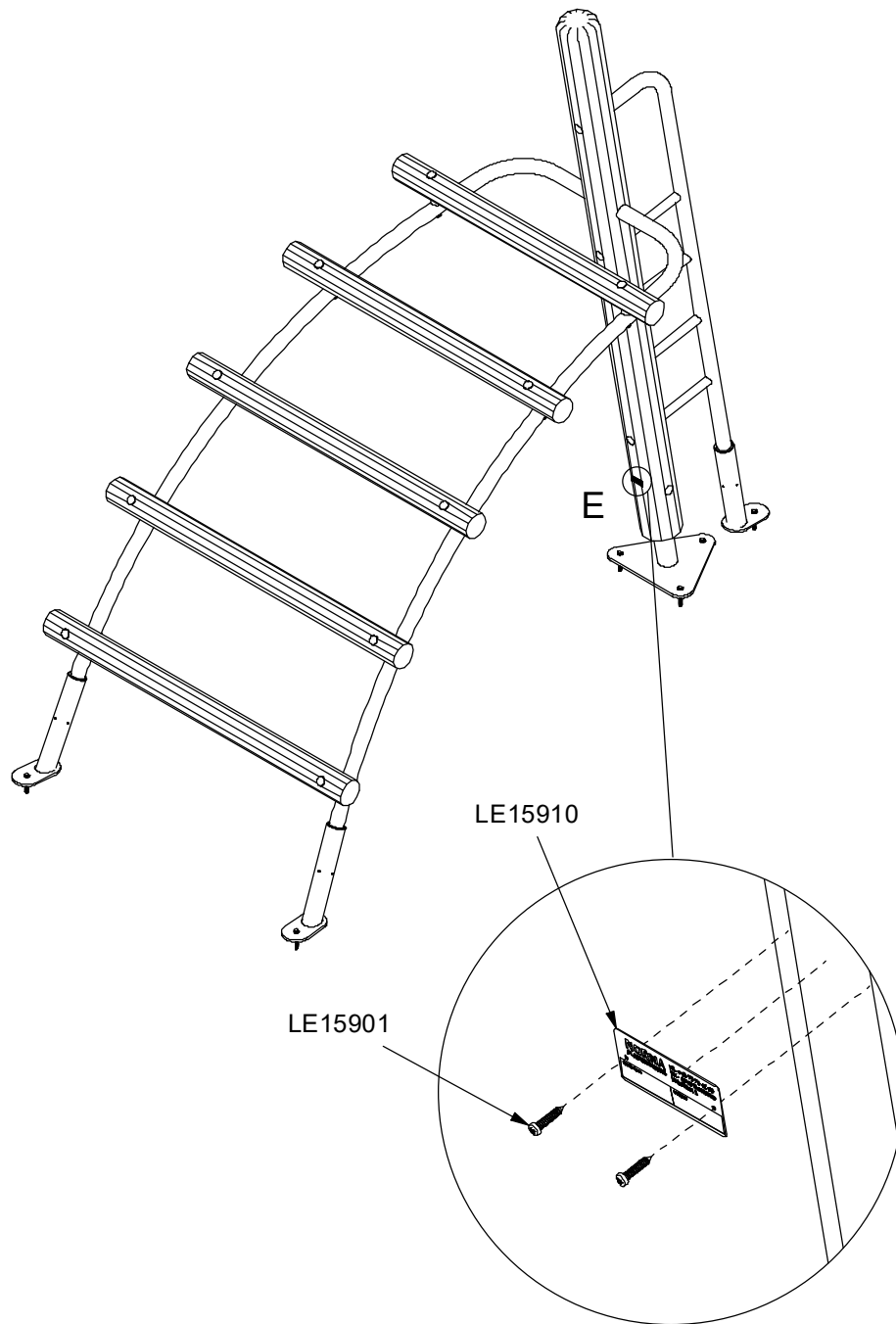
Parts List		
QTY	PART NO	DESCRIP.
1	D11441	450x3000mm, assembled
1	RS00108	Robinia, Ø120x1700mm
1	RS00109	Robinia, Ø120x1650mm
1	RS00119	Robinia, Ø120x1600mm
1	RS00120	Robinia, Ø120x1550mm
1	RS00121	Robinia, Ø120x1450mm
1	SR00087	Ø60/Ø80 right ladder frame
1	SR00088	Ø60/Ø80 left ladder frame
1	SR00138	Side with steps



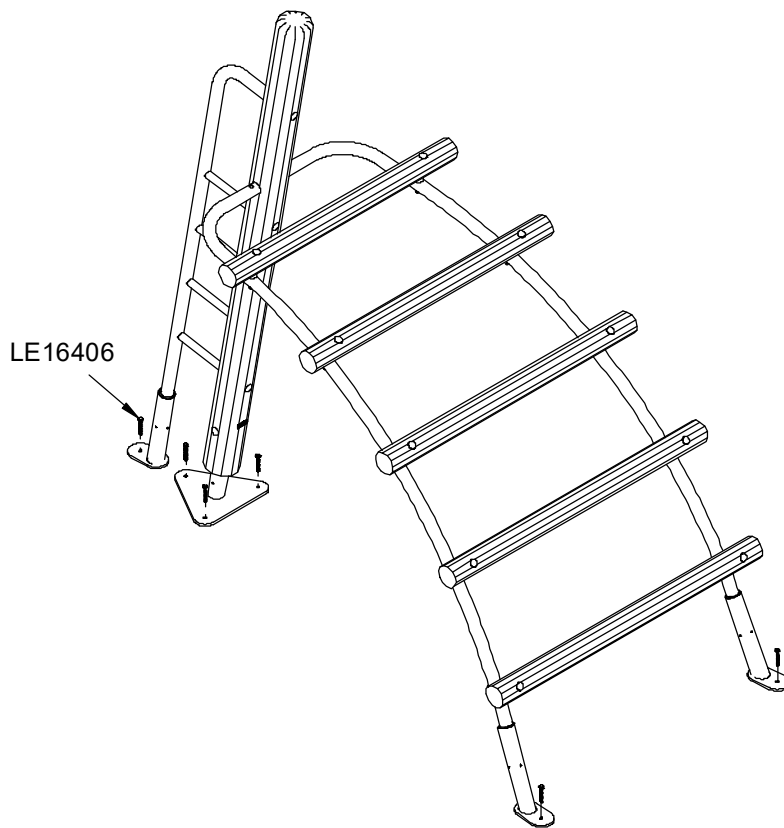
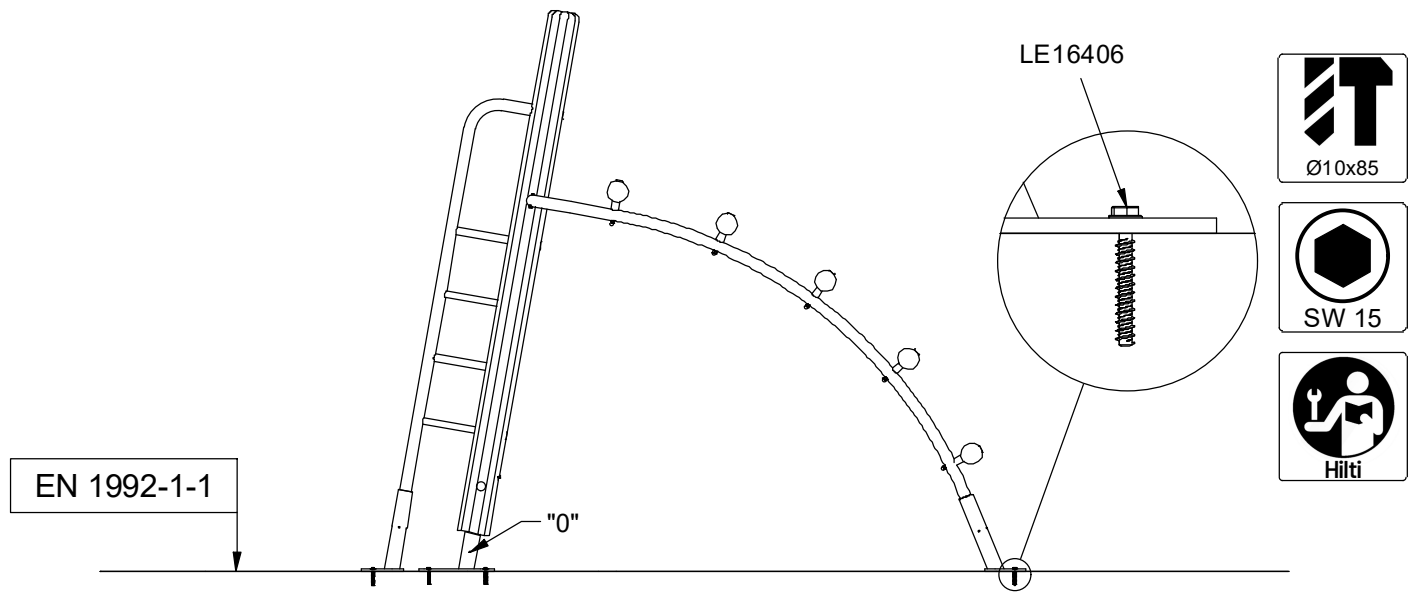
Parts List

QTY	PART NO	DESCRIP.
4	LE15250	M16x170 mm
1	LE16053	M8 cap nut
10	LE16056	M12 cap nut
1	LE16073	8x70 mm
4	LE16152	M16 - Ø30 mm
11	LE16168	M12 - Ø24 mm
10	LE16231	M12x190
6	LE16406	10x85 mm
10	LE16552	Ø34/38 mm
3	LE16556	Ø42/38mm
1	SR00031	Ø54x90 mm
10	SR00128	Ø38 mm, Spacer





Parts List		
QTY	PART NO	DESCRIP.
2	LE15901	3x16, PH
1	LE15910	Name tag



Parts List		
QTY	PART NO	DESCRIP.
6	LE16406	10x85 mm