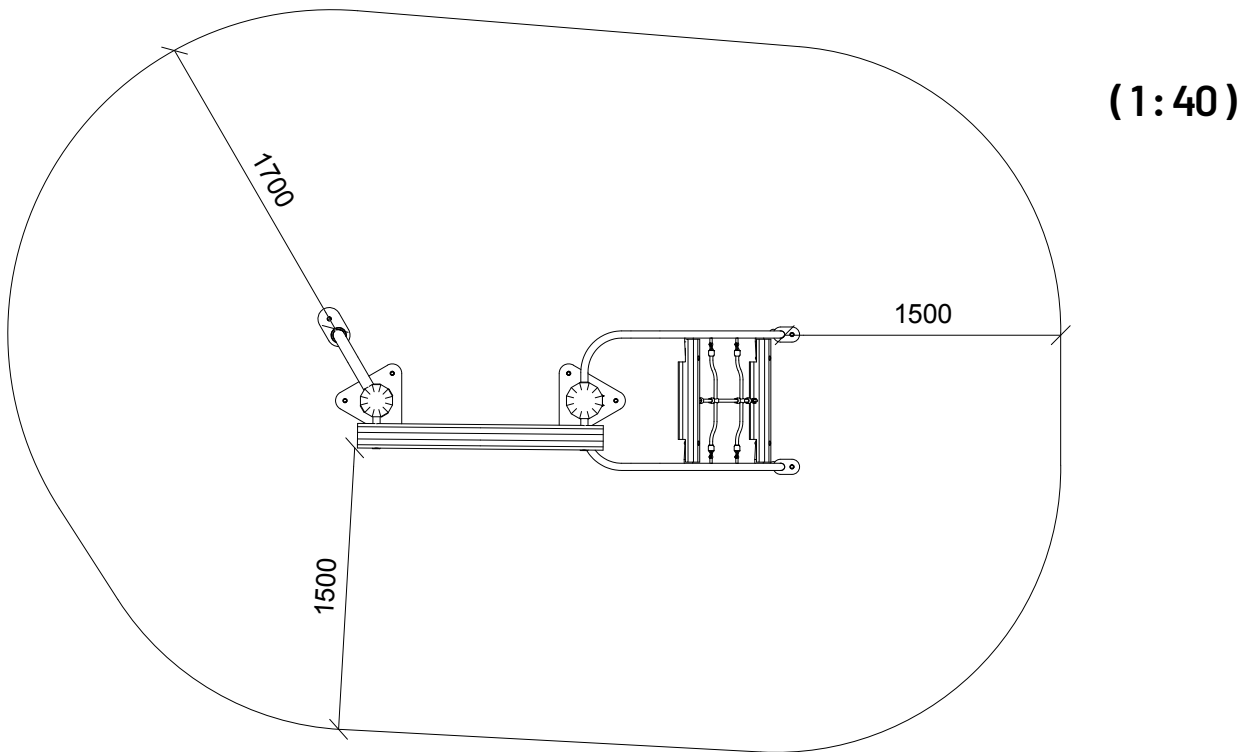
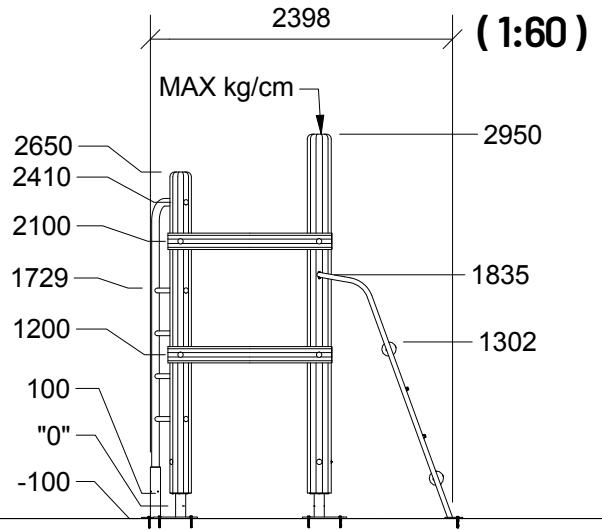


EN 1992-1-1



2



4,5h



19m³



5,6x4x3m



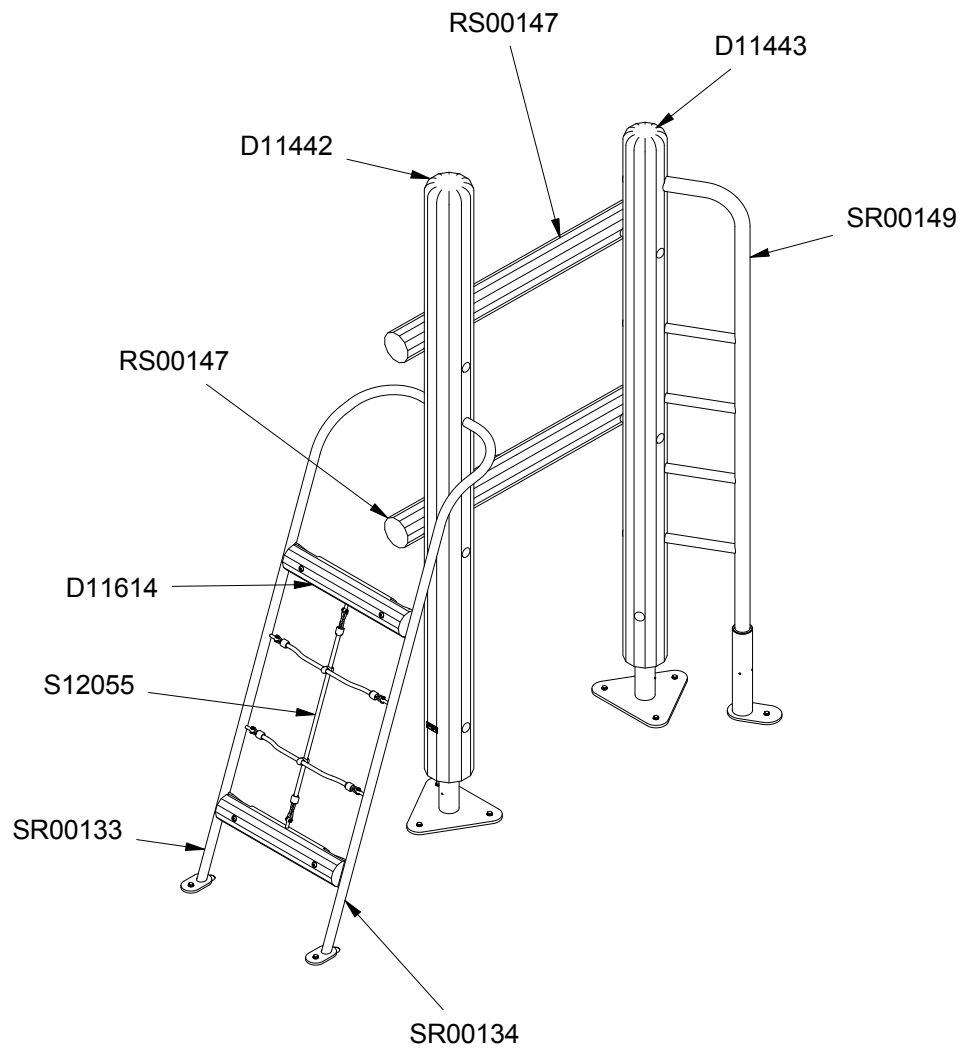
~231 kg



39x305cm

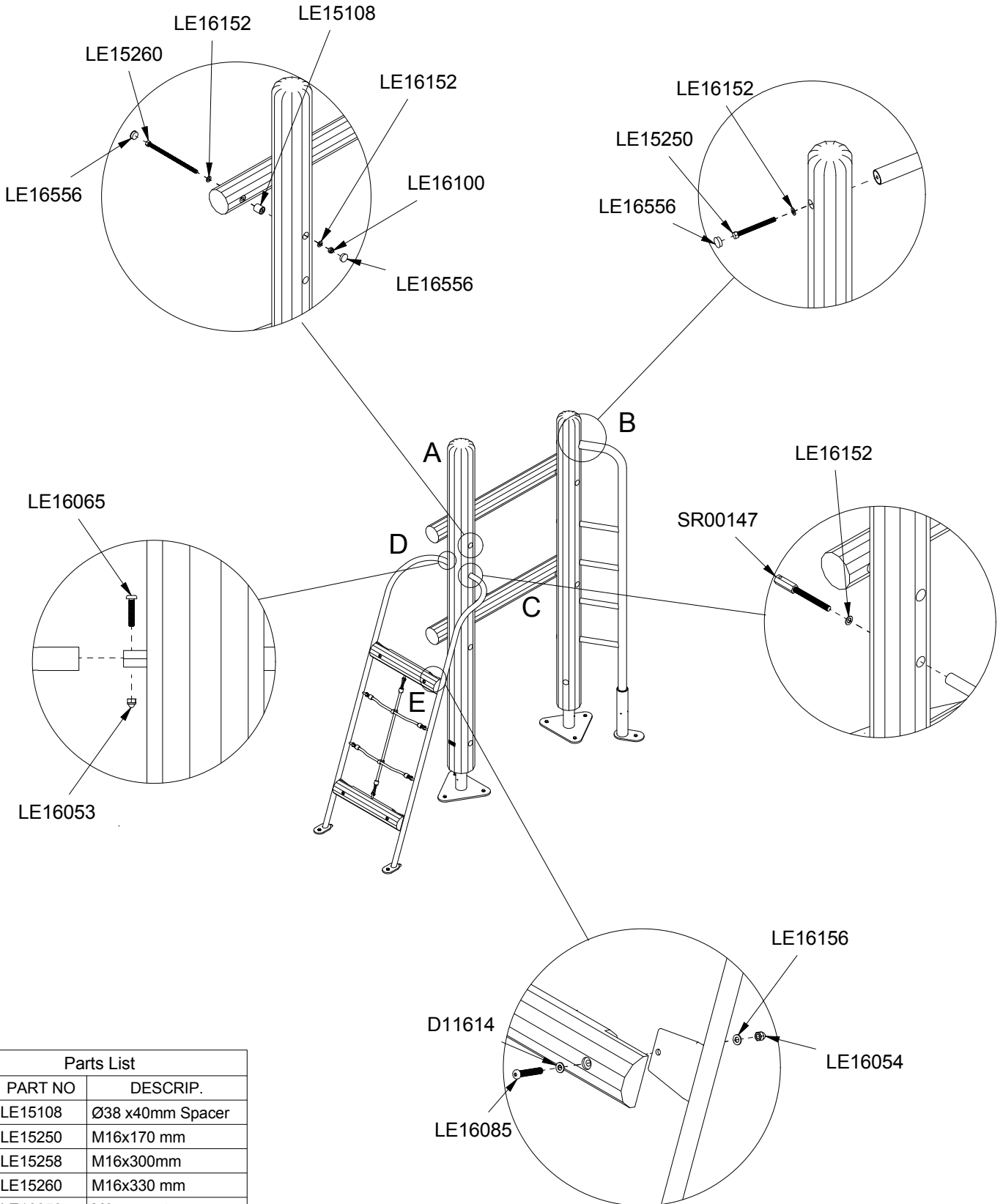


75kg

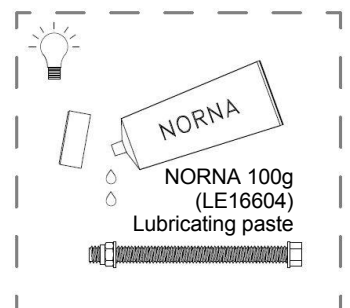


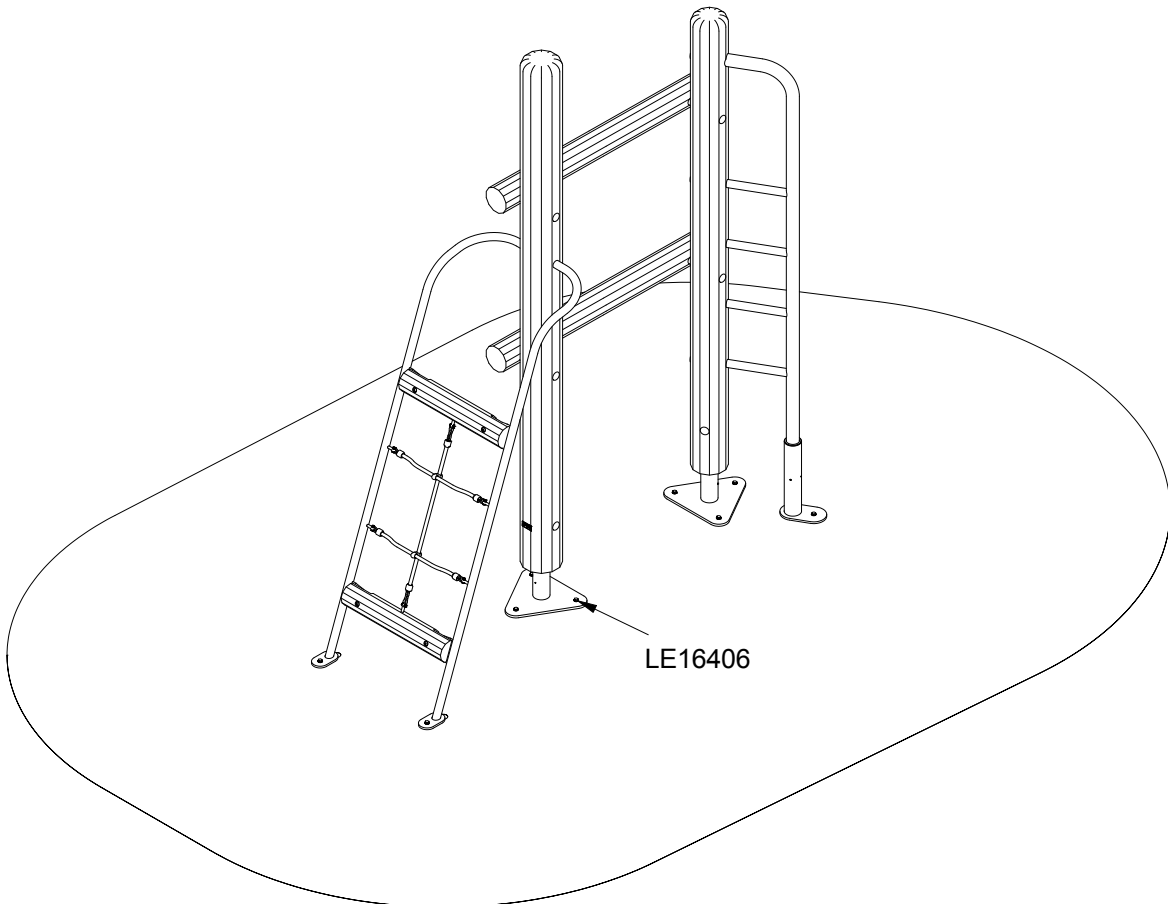
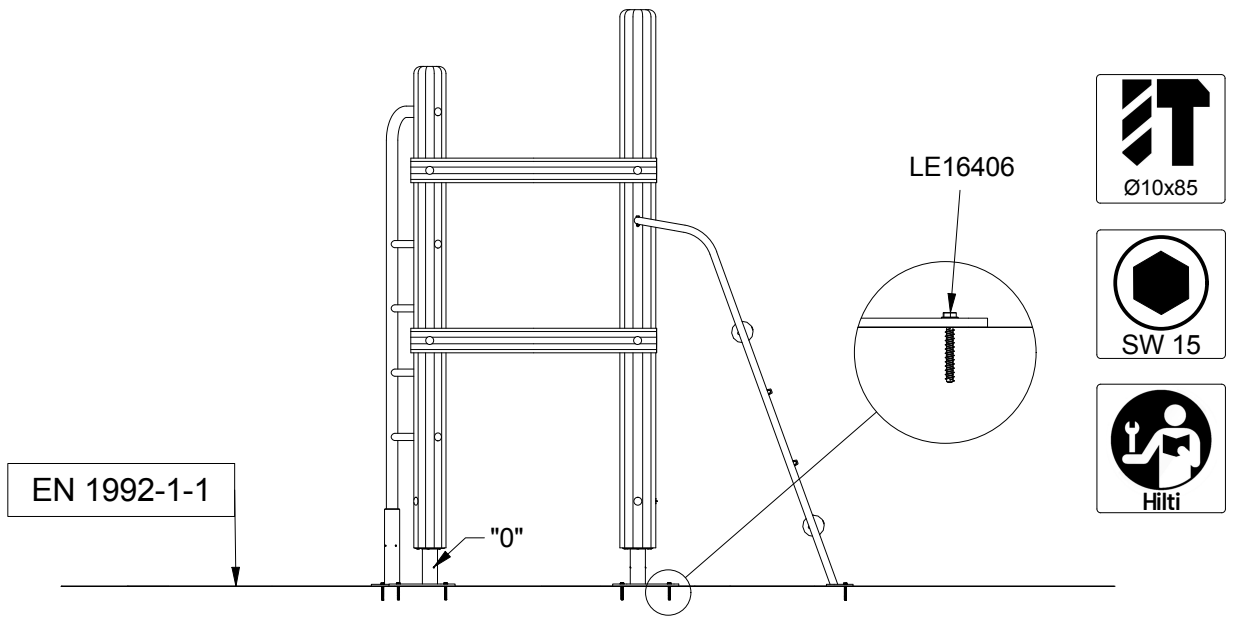
Parts List

QTY	PART NO	DESCRIP.
1	D11442	390x3050mm, assembled
1	D11443	390x2750mm, assembled
2	D11614	Ø120x650mm, assembled
2	RS00147	Ø140x1300mm
1	S12055	Taifun
1	SR00149	Side with steps
1	SR00133	Left ladder frame
1	SR00134	Right ladder frame



Parts List		
QTY	PART NO	DESCRIP.
4	LE15108	Ø38 x40mm Spacer
3	LE15250	M16x170 mm
2	LE15258	M16x300mm
2	LE15260	M16x330 mm
1	LE16053	M8 cap nut
4	LE16054	M10 cap nut
1	LE16065	M8x45mm
4	LE16085	M10x70 mm
4	LE16100	M16 nut
12	LE16152	M16 - Ø30 mm
8	LE16156	M10-Ø20
9	LE16406	10x85 mm
11	LE16556	Ø42/38mm
1	SR00147	M16x157/60





Parts List		
QTY	PART NO	DESCRIP.
9	LE16406	10x85 mm