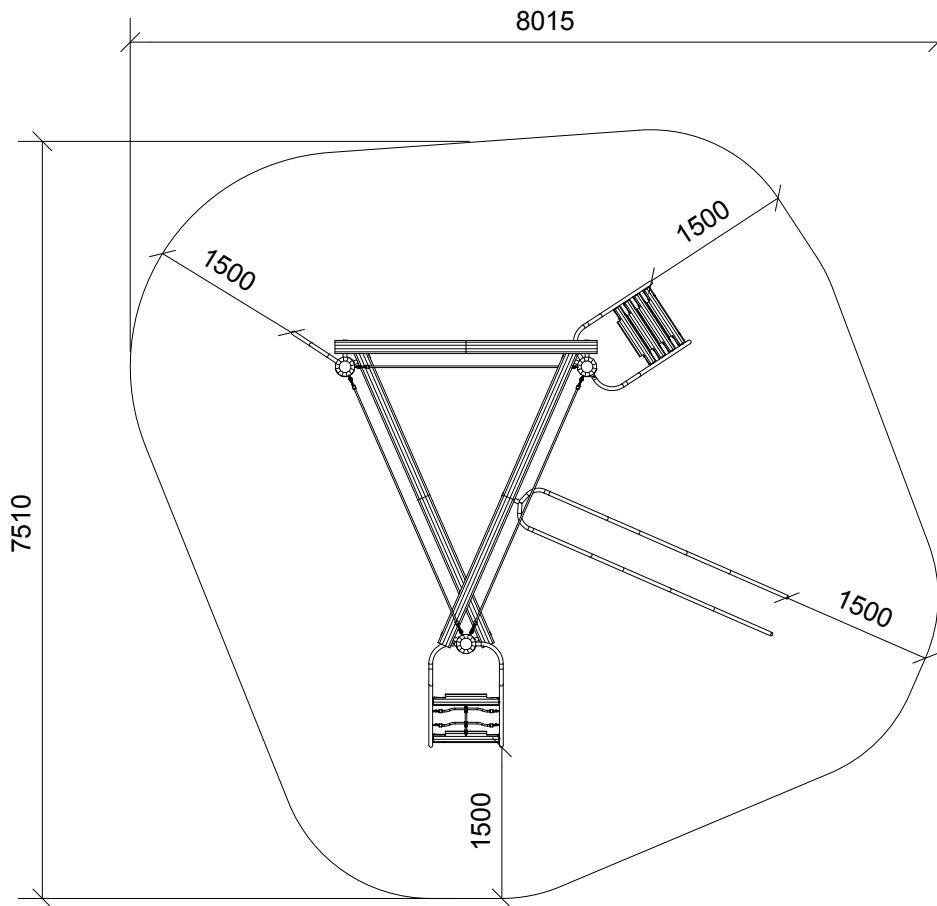
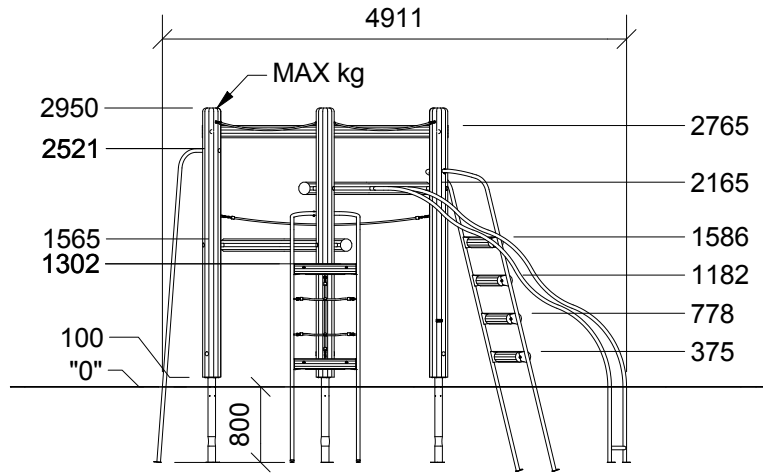
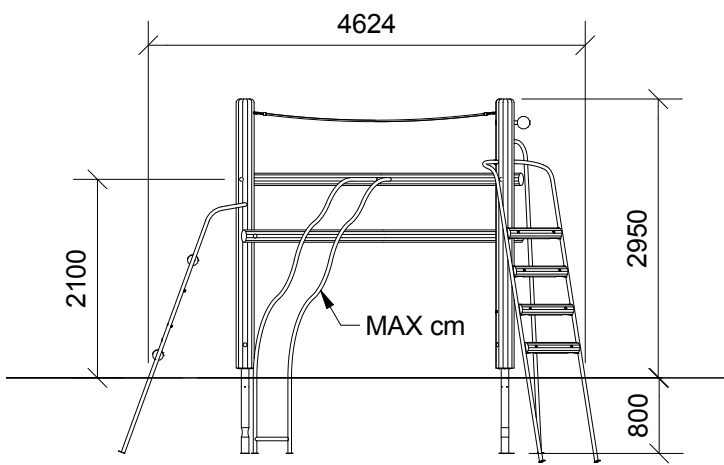


(1:80)



(1:75)



2



8,5h



47m<sup>3</sup>



8x7,5x3m



~465 kg



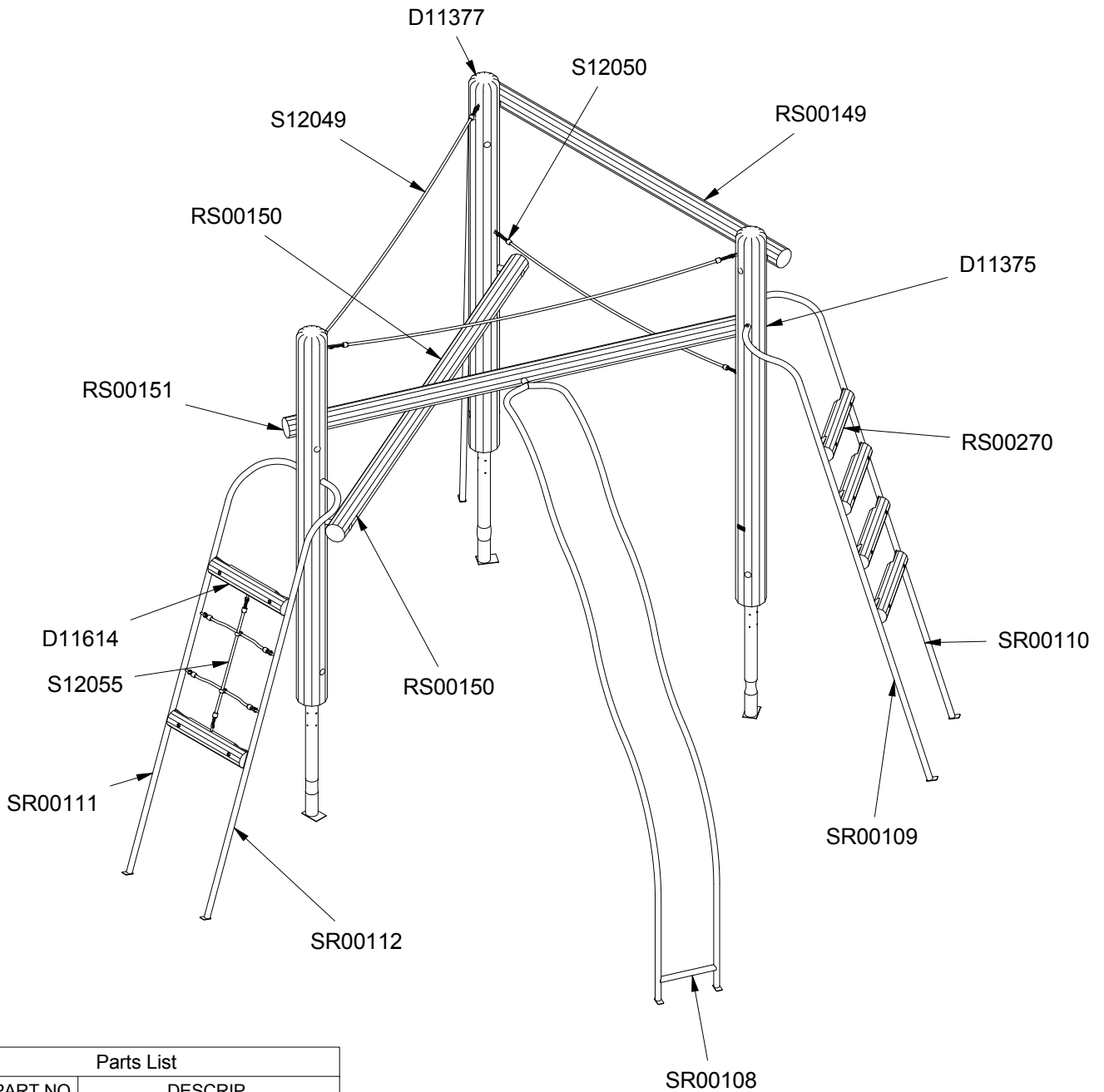
~0,35m<sup>3</sup>



44x295x295cm



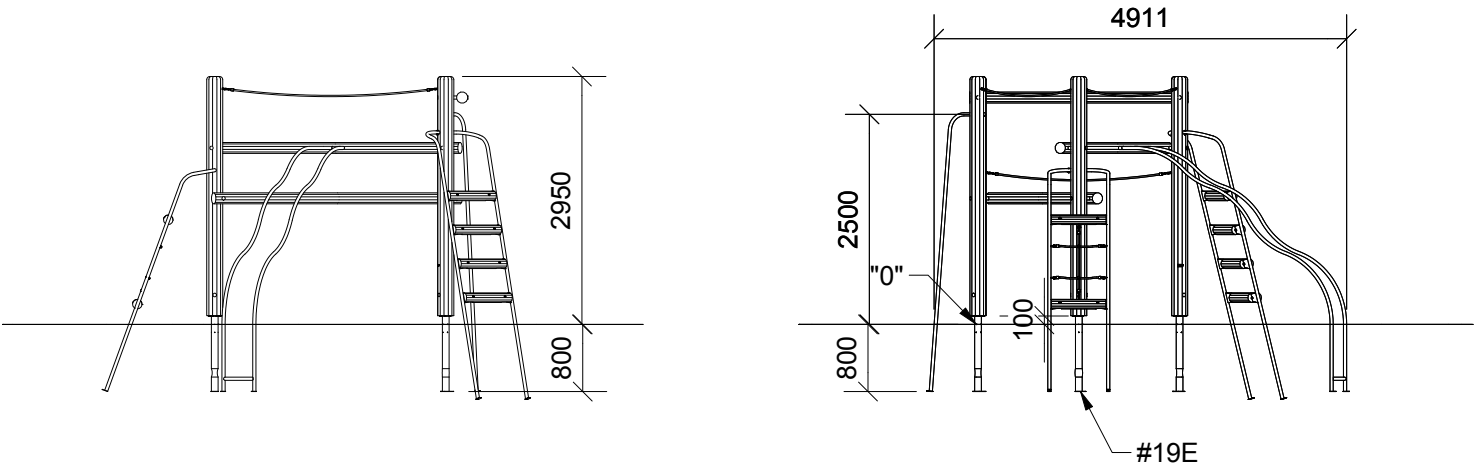
75kg



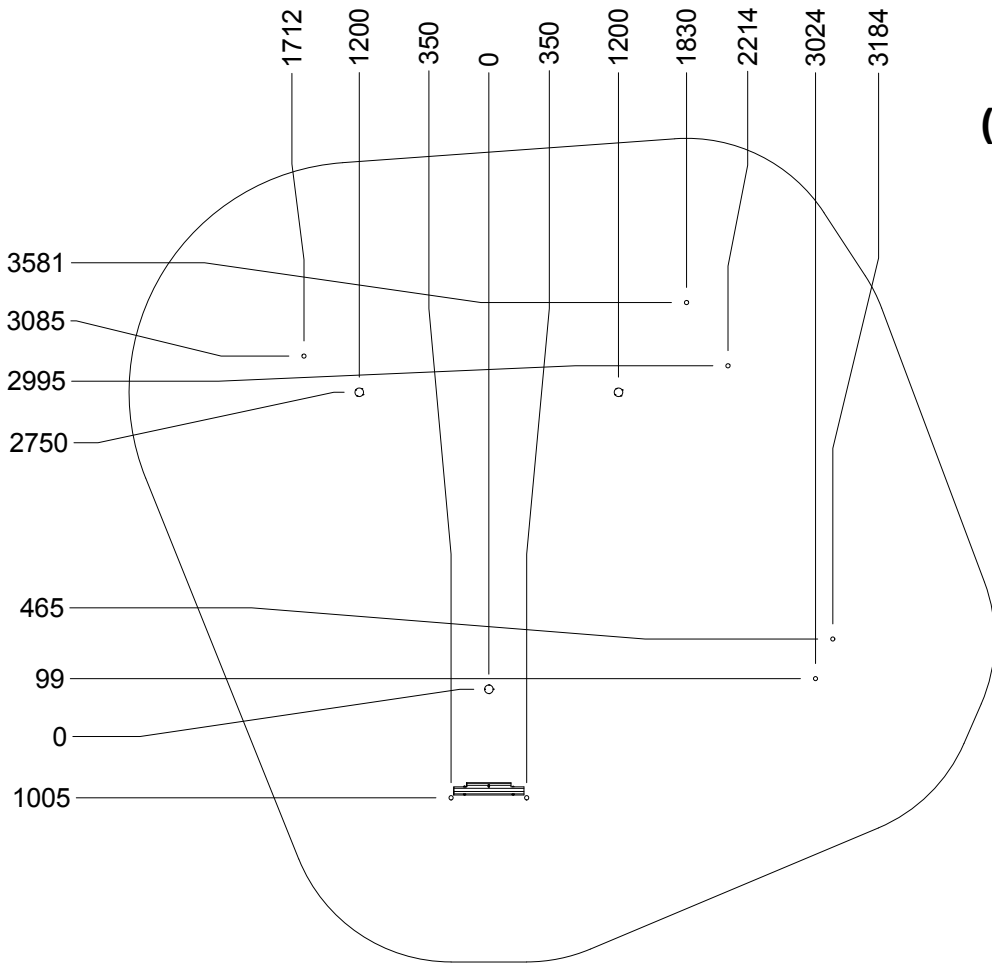
Parts List

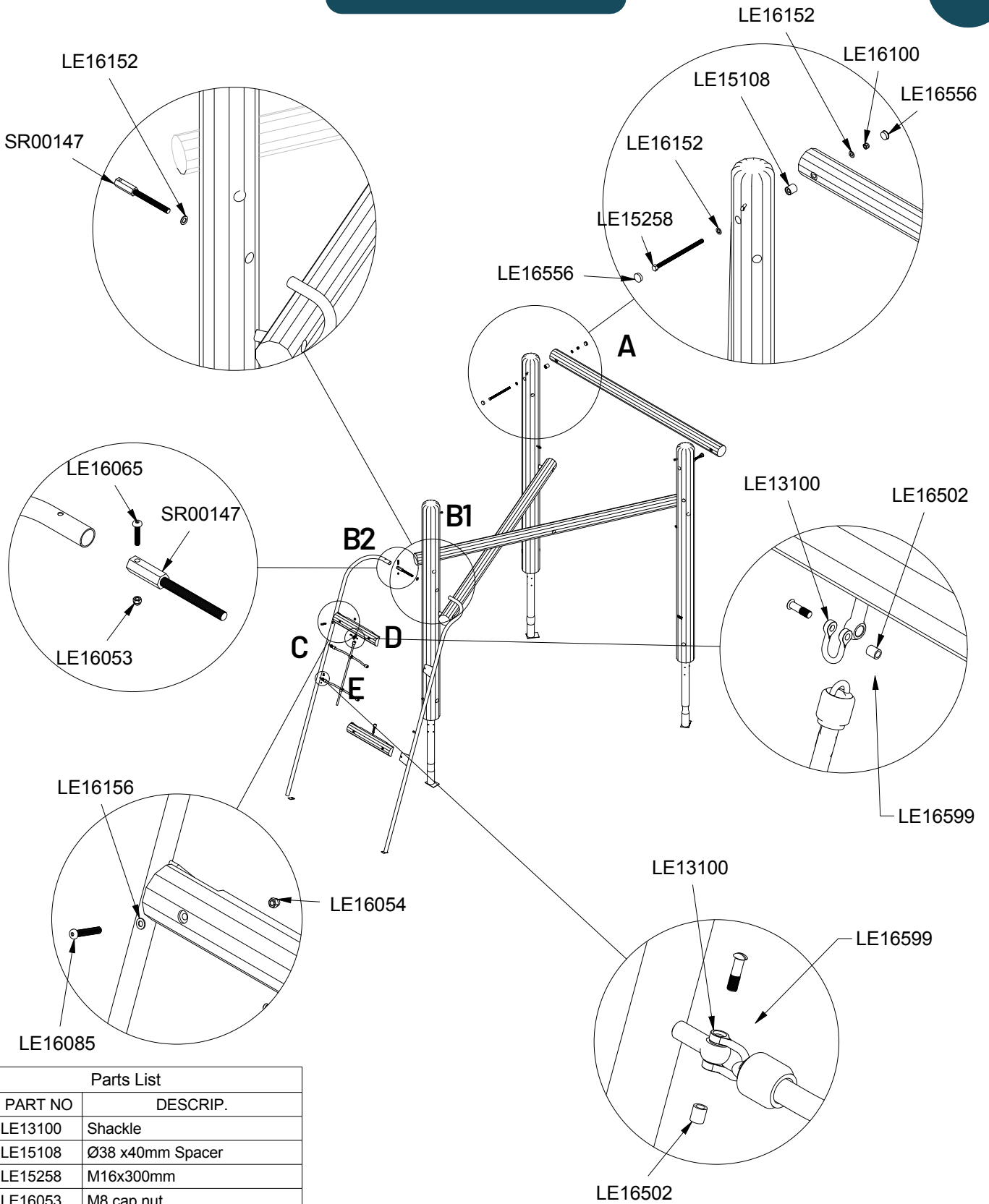
QTY	PART NO	DESCRIP.
1	D11375	Ø200x3790mm, assembled
1	D11376	Ø200x3790mm, assembled
1	D11377	Ø200x3790mm, assembled
2	D11614	Ø120x650mm, assembled
6	LE15108	Ø38 x40mm Spacer
1	RS00149	Ø140x2600mm, Robinia
1	RS00150	Ø140x3200mm, Robinia
1	RS00151	Ø140x3200mm, Robinia
4	RS00270	Ø120x650mm
2	S12049	Taifun
1	S12050	Taifun
1	S12055	Taifun
1	SR00108	Slide tube
1	SR00109	Left ladder frame
1	SR00110	Right ladder frame
1	SR00111	Left ladder frame
1	SR00112	Right ladder frame
1	SR00113	Ø38mm, Fireman's pole

(1:90)

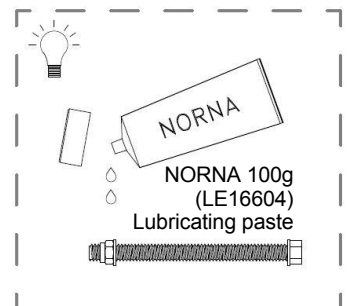


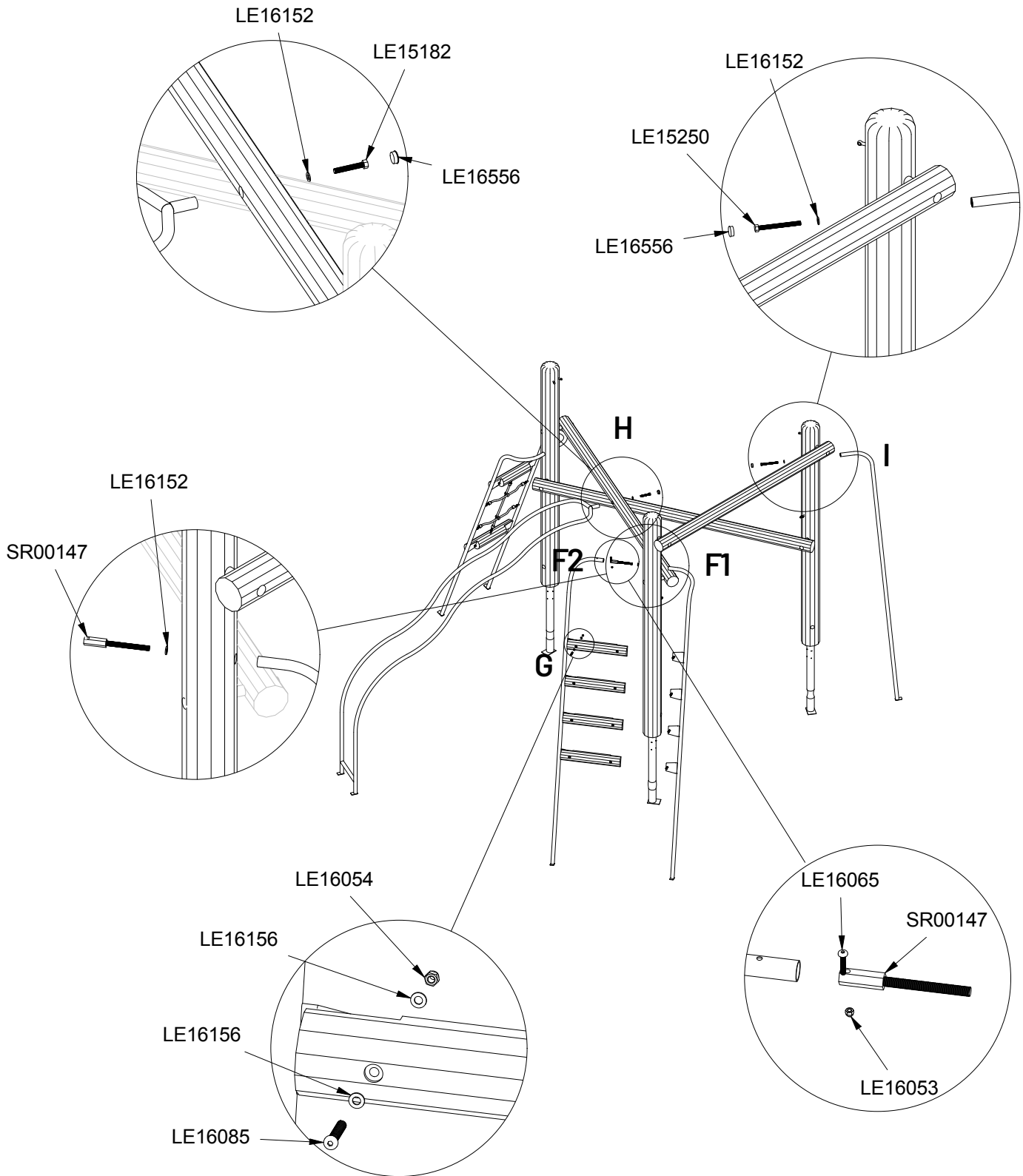
(1:70)



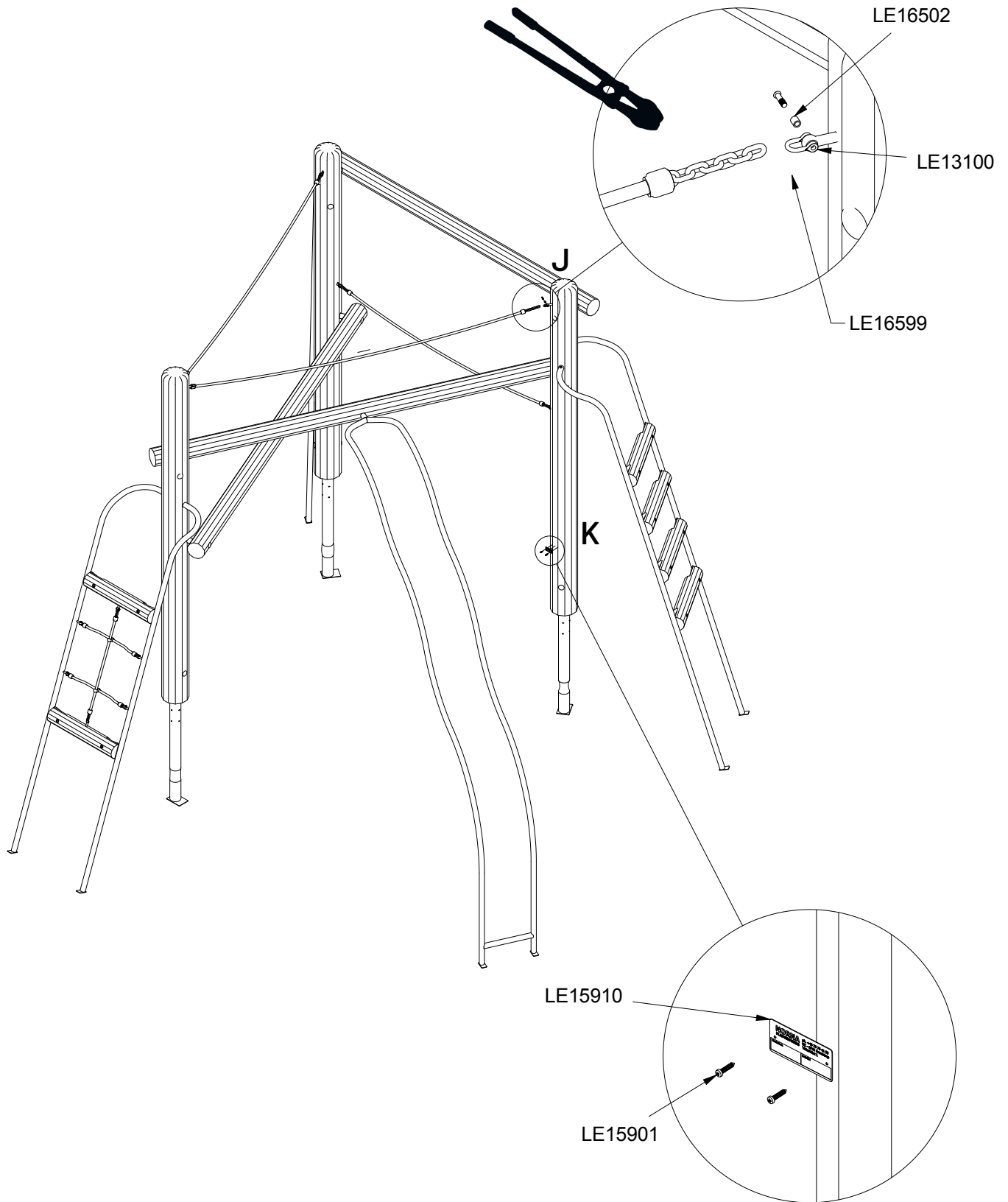


Parts List		
QTY	PART NO	DESCRIP.
11	LE13100	Shackle
6	LE15108	Ø38 x40mm Spacer
6	LE15258	M16x300mm
2	LE16053	M8 cap nut
12	LE16054	M10 cap nut
2	LE16065	M8x45mm
12	LE16085	M10x70 mm
6	LE16100	M16 nut
16	LE16152	M16 - Ø30 mm
24	LE16156	M10-Ø20
11	LE16502	Spacer 6mm
14	LE16556	Ø42/38mm
2	LE16599	Sealtite 970 1,5 ml (Glue)
2	SR00147	M16x157/60





Parts List		
QTY	PART NO	DESCRIP.
1	LE15182	M16x100 mm
1	LE15250	M16x170 mm
2	LE16053	M8 cap nut
12	LE16054	M10 cap nut
2	LE16065	M8x45mm
12	LE16085	M10x70 mm
16	LE16152	M16 - Ø30 mm
24	LE16156	M10-Ø20
2	SR00147	M16x157/60



Parts List		
QTY	PART NO	DESCRIP.
11	LE13100	Shackle
2	LE15901	3x16, PH
1	LE15910	Name tag
11	LE16502	Spacer 6mm
2	LE16599	Sealtite 970 1,5 ml (Glue)