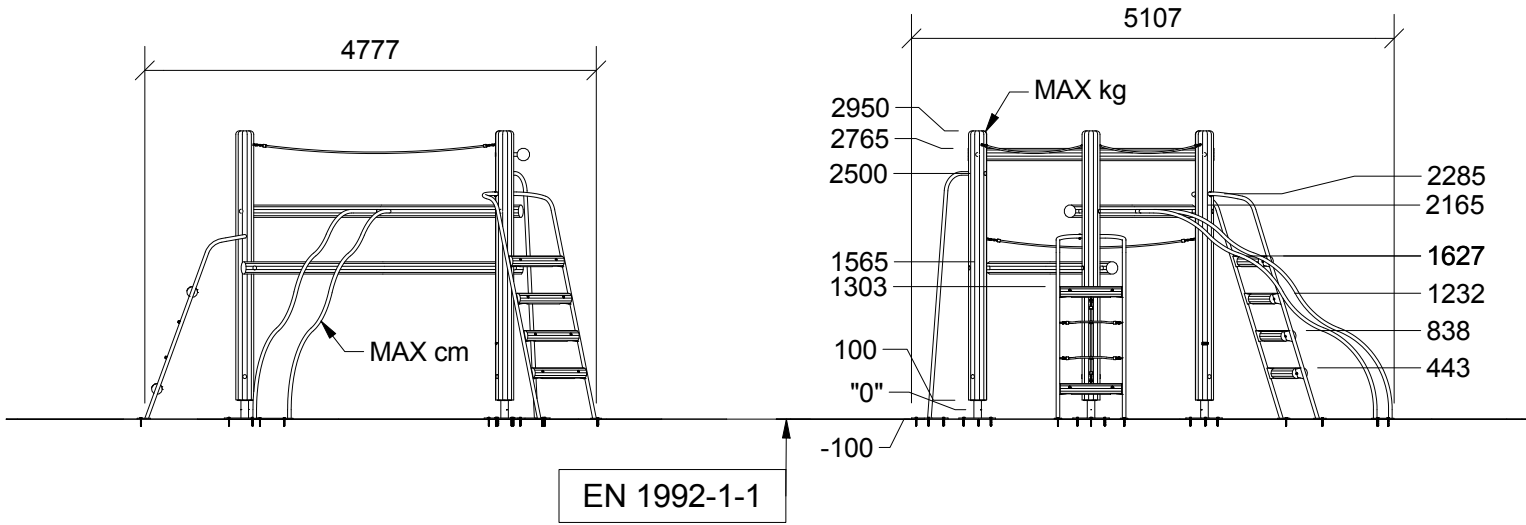
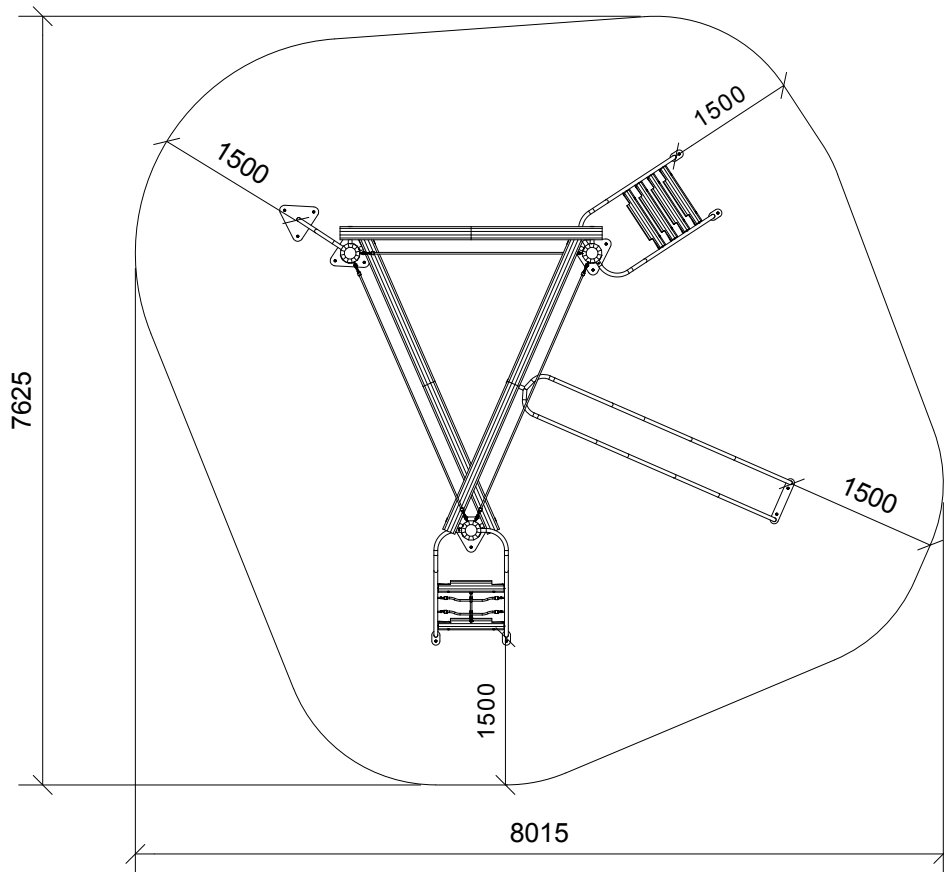


(1:80)



(1:75)



2



8,5h



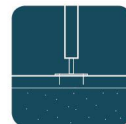
47m²



8 x 7,6 x 3m



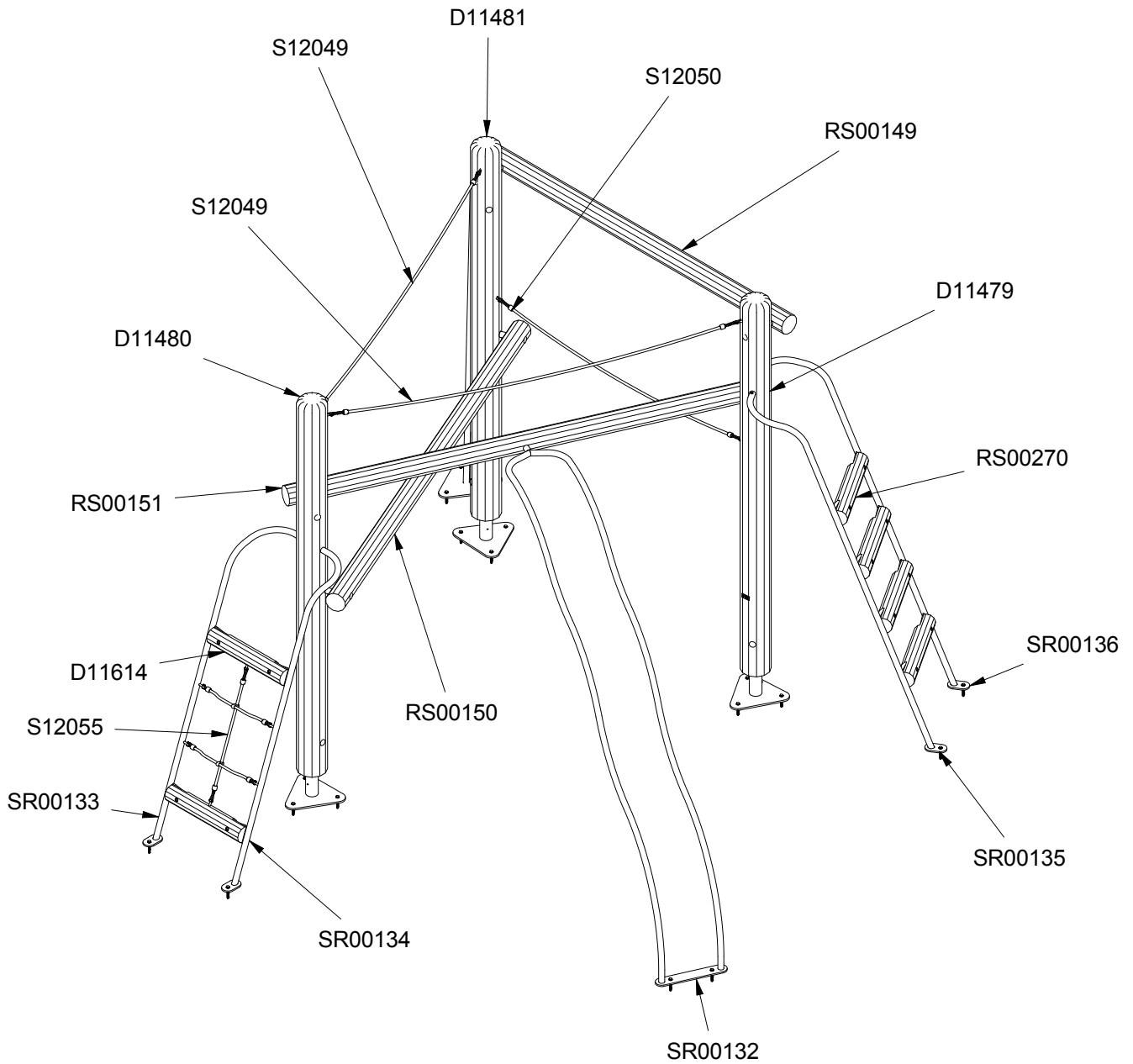
~480 kg



44x225x295cm

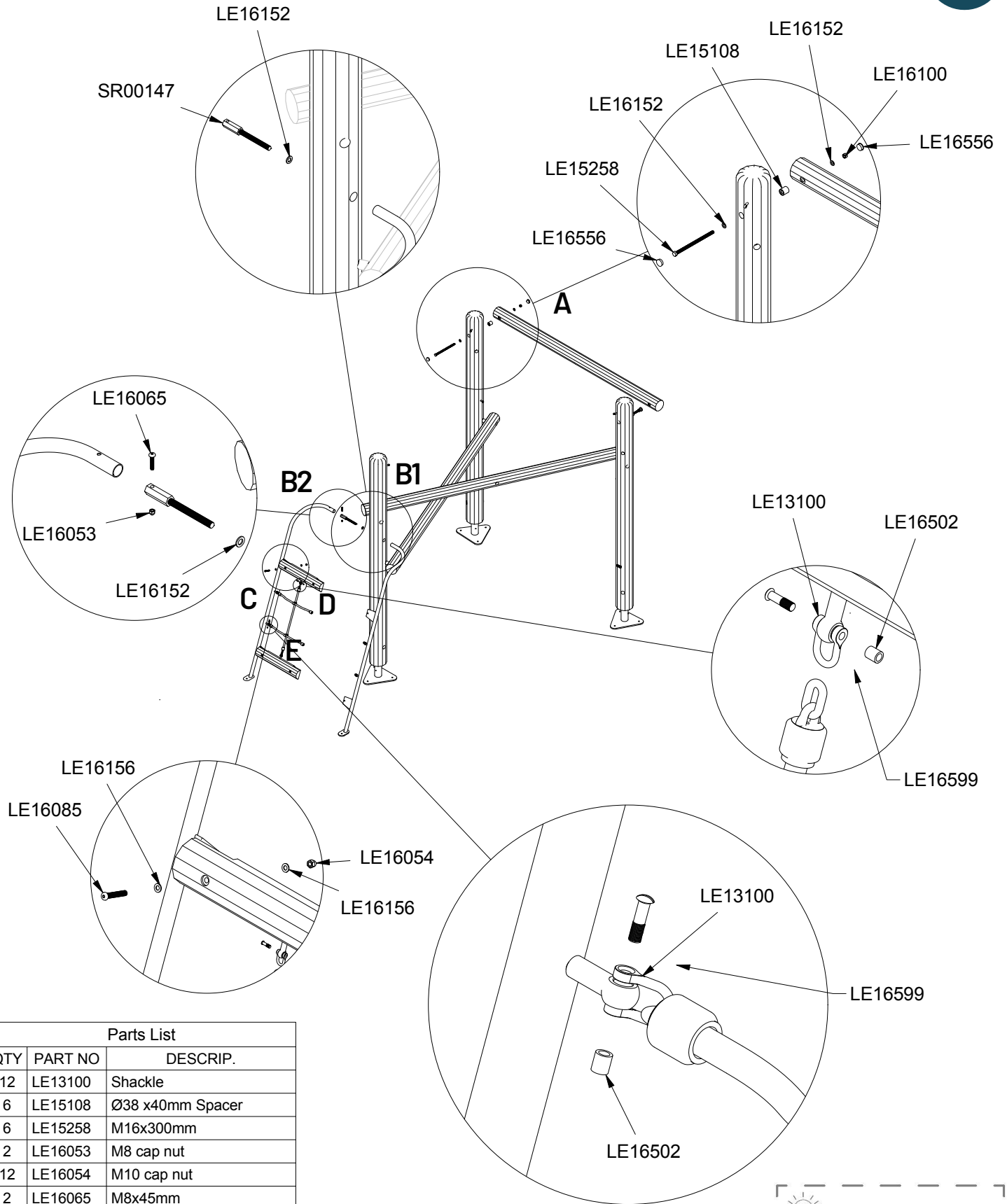


75kg

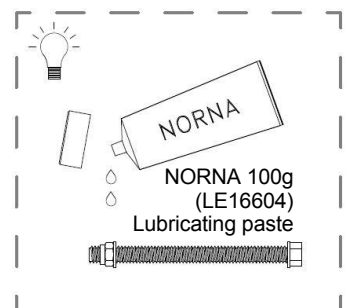


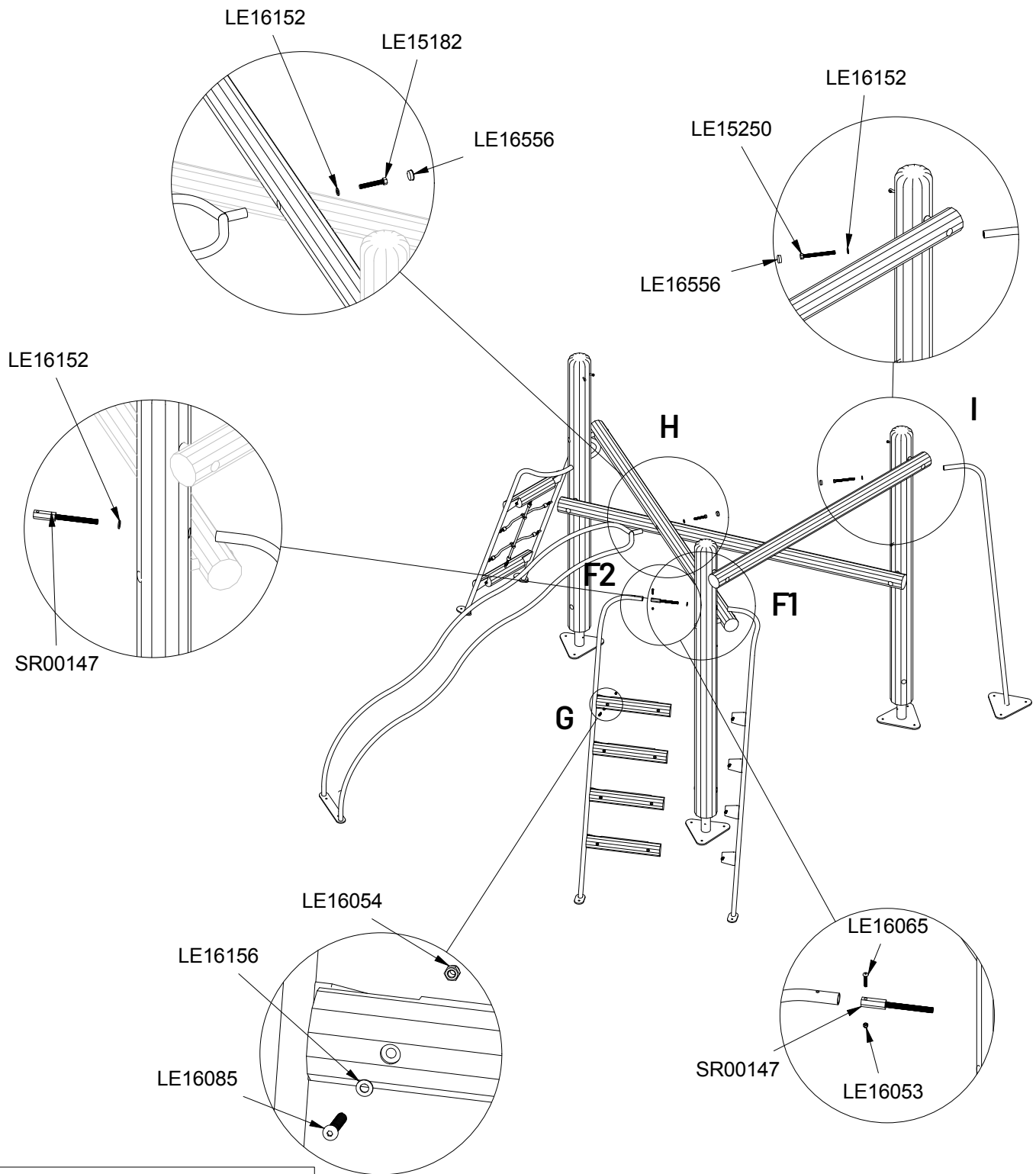
Parts List

QTY	PART NO	DESCRIP.
1	D11479	390x3050mm, assembled
1	D11480	390x3050mm, assembled
1	D11481	390x3050mm, assembled
2	D11614	Ø120x650mm, assembled
1	RS00149	Ø140x2600mm, Robinia
1	RS00150	Ø140x3200mm, Robinia
1	RS00151	Ø140x3200mm, Robinia
4	RS00270	Ø120x650mm
2	S12049	Taifun
1	S12050	Taifun
1	S12055	Taifun
1	SR00132	Slide tube
1	SR00133	Left ladder frame
1	SR00134	Right ladder frame
1	SR00135	Left ladder frame
1	SR00136	Right ladder frame
1	SR00137	Ø38mm, Fireman's pole

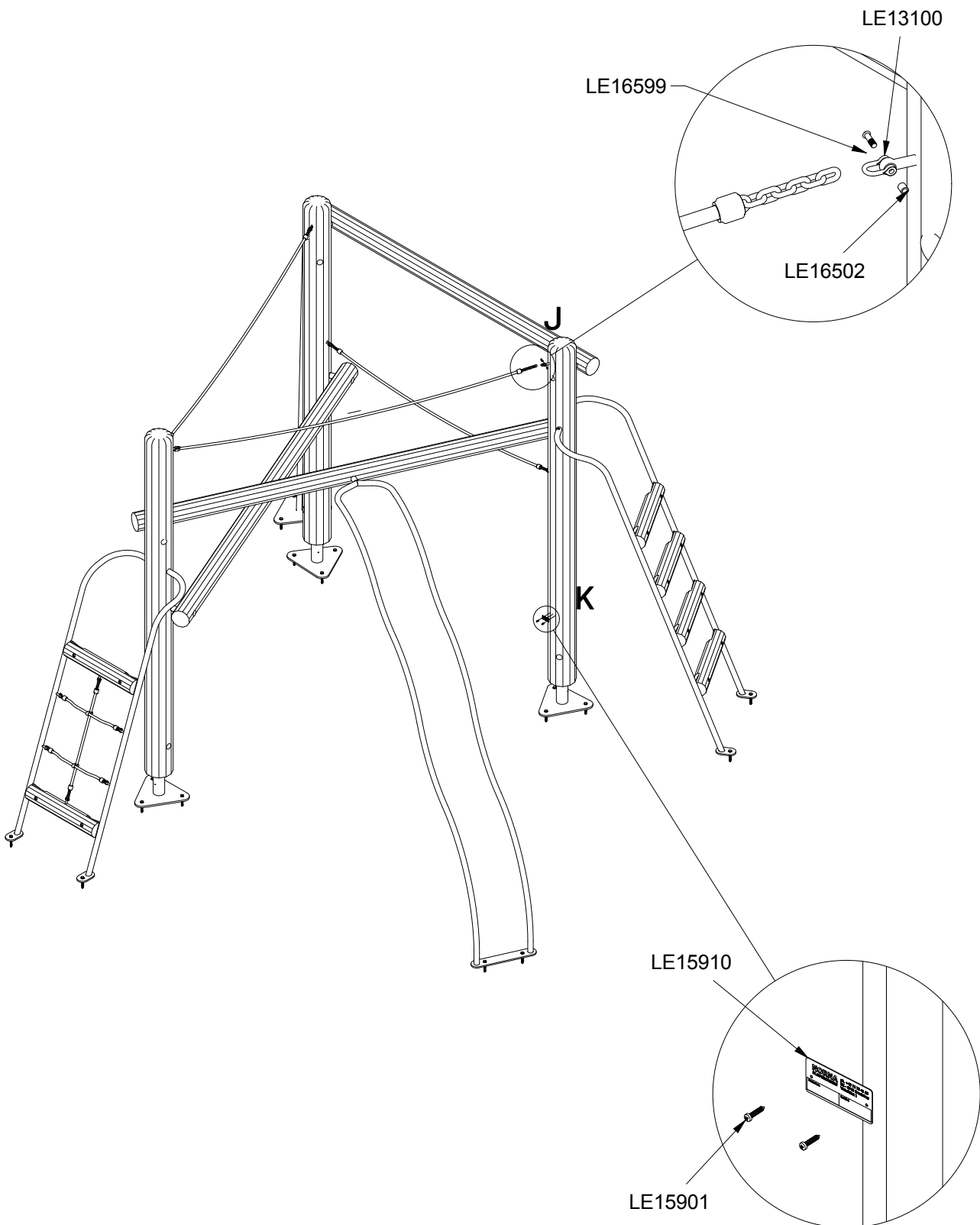


Parts List		
QTY	PART NO	DESCRIP.
12	LE13100	Shackle
6	LE15108	Ø38 x40mm Spacer
6	LE15258	M16x300mm
2	LE16053	M8 cap nut
12	LE16054	M10 cap nut
2	LE16065	M8x45mm
12	LE16085	M10x70 mm
6	LE16100	M16 nut
16	LE16152	M16 - Ø30 mm
24	LE16156	M10-Ø20
12	LE16502	Spacer 6mm
14	LE16556	Ø42/38mm
2	LE16599	Sealtite 970 1,5 ml (Glue)
2	SR00147	M16x157/60





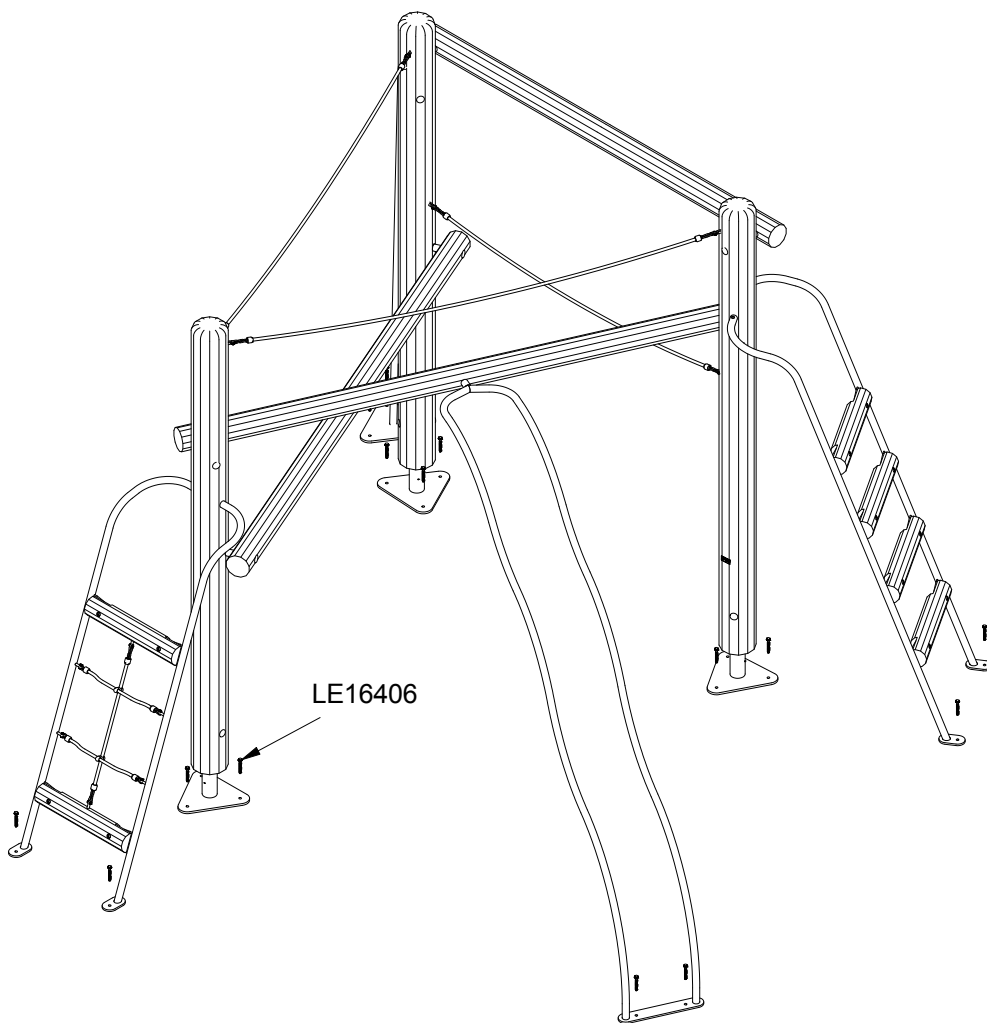
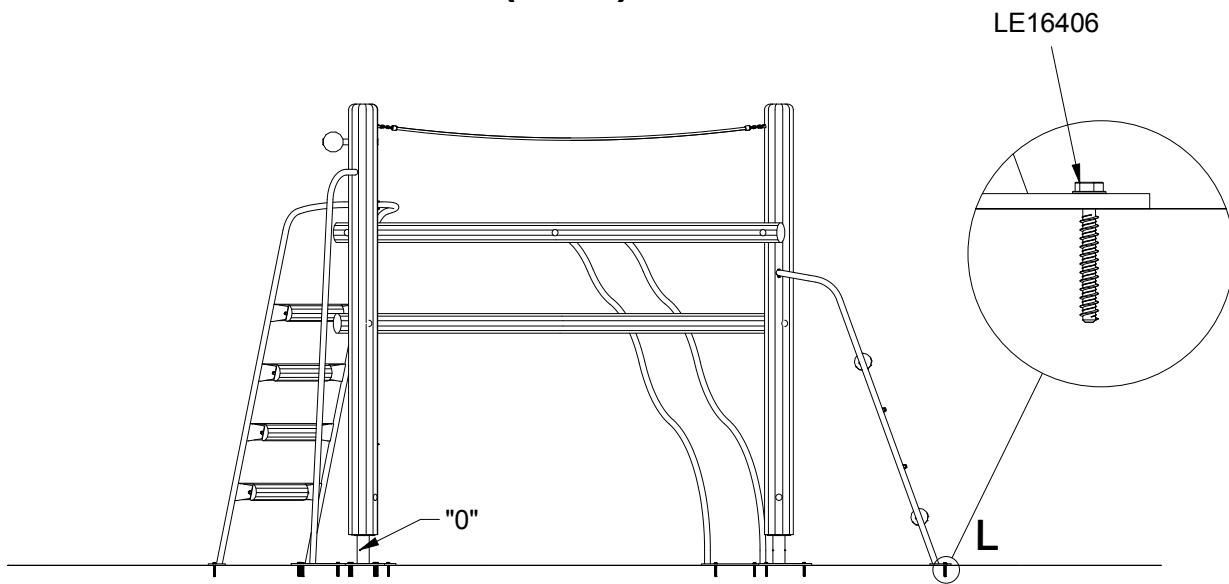
Parts List		
QTY	PART NO	DESCRIP.
1	LE15182	M16x100 mm
1	LE15250	M16x170 mm
2	LE16053	M8 cap nut
12	LE16054	M10 cap nut
2	LE16065	M8x45mm
12	LE16085	M10x70 mm
16	LE16152	M16 - Ø30 mm
24	LE16156	M10-Ø20
14	LE16556	Ø42/38mm
2	SR00147	M16x157/60



Parts List

QTY	PART NO	DESCRIP.
2	LE15901	3x16, PH
1	LE15910	Name tag
12	LE13100	Shackle
12	LE16502	Spacer 6mm
2	LE16599	Sealtite 970 1,5 ml (Glue)

(1:50)



Parts List		
QTY	PART NO	DESCRIP.
18	LE16406	10x85 mm