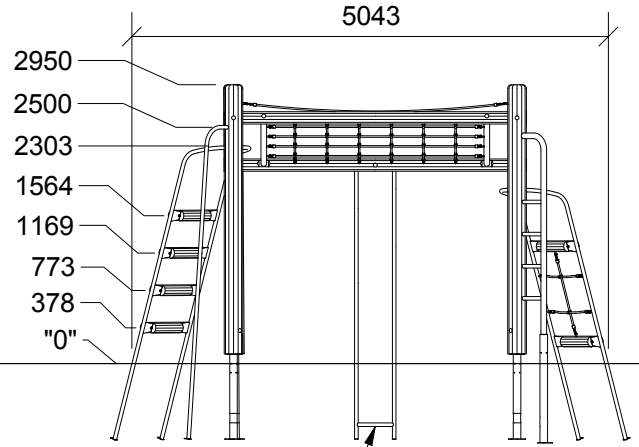
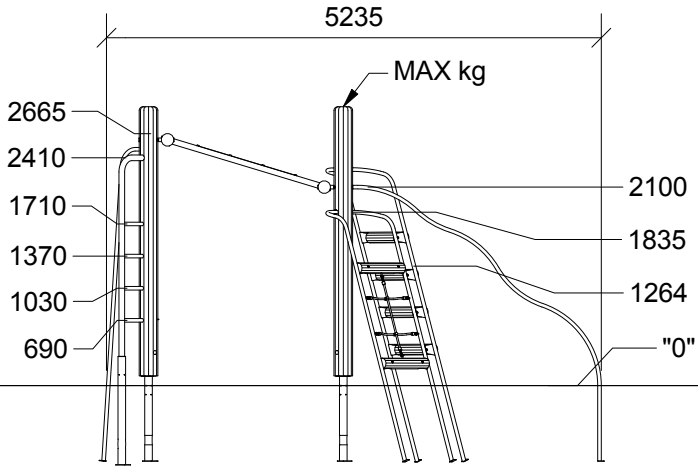
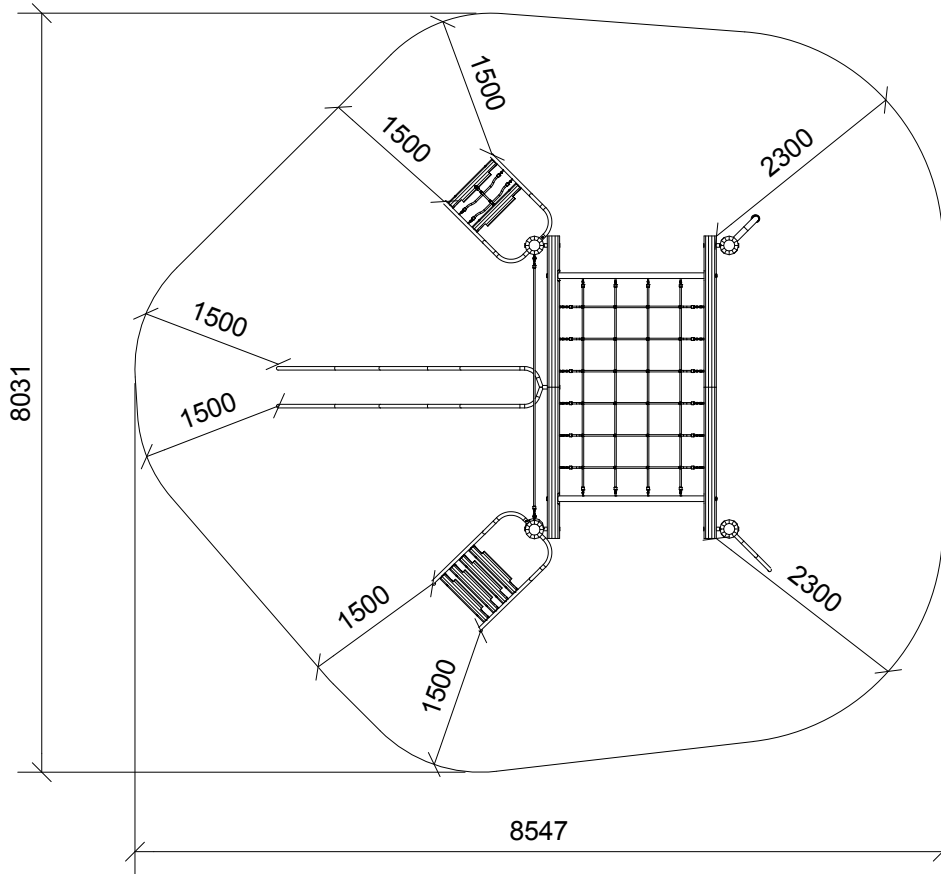


(1:80)



(1:80)



2



9,5h



55m<sup>2</sup>



8,6x8,1x3m



~556 kg



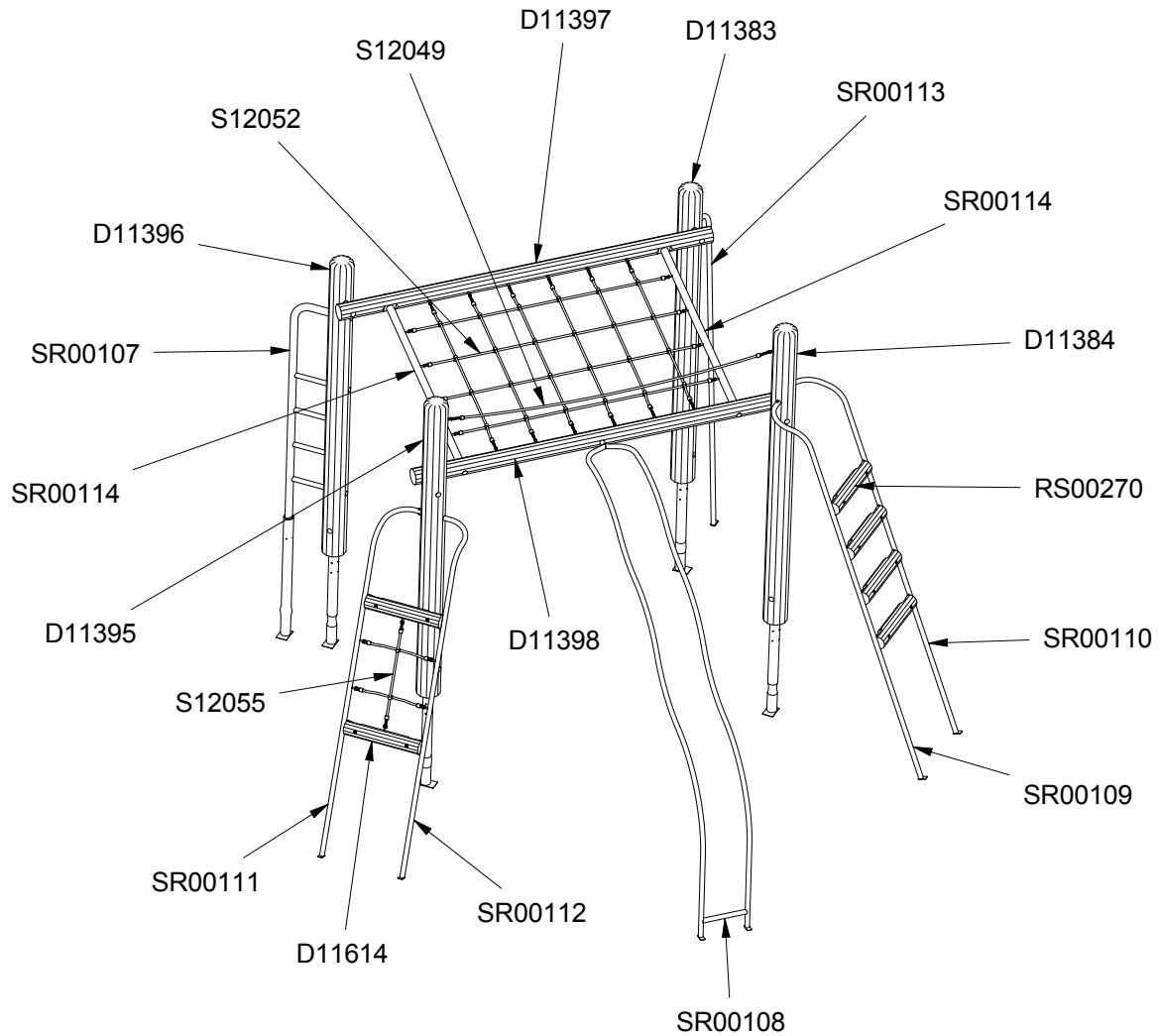
~0,42m<sup>3</sup>



44x295x295cm

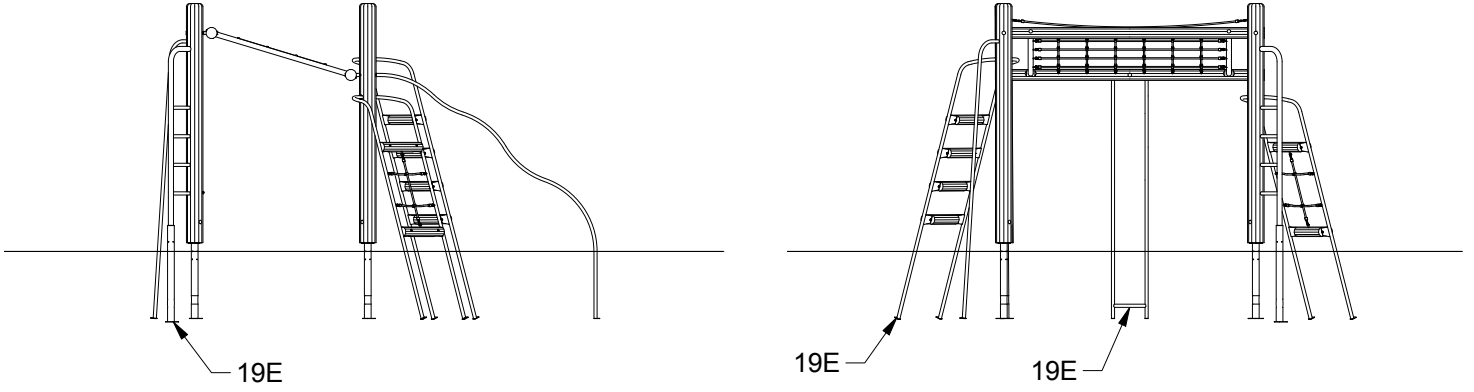


75kg

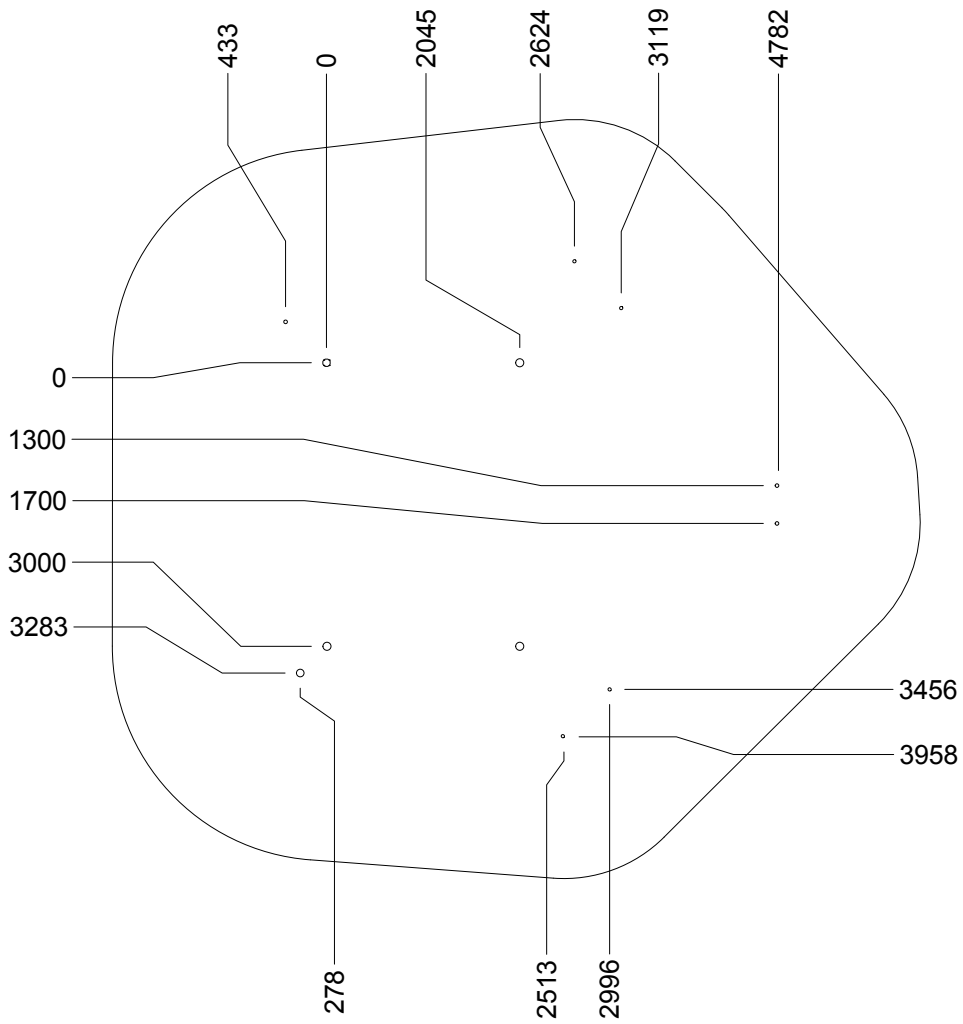


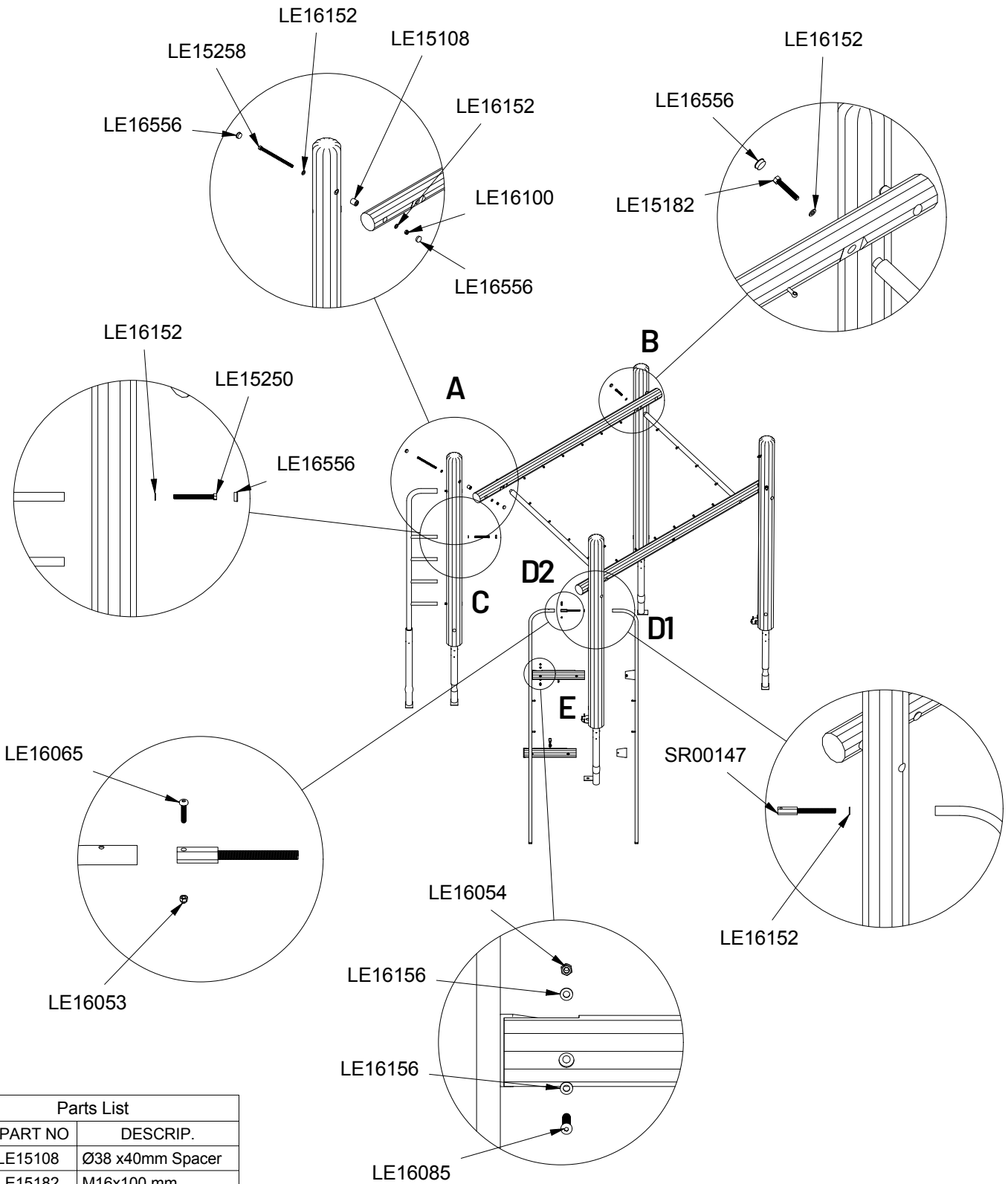
Parts List		
QTY	PART NO	DESCRIP.
1	D11383	Ø200x3790mm, assembled
1	D11384	Ø200x3790mm, assembled
1	D11395	Ø200x3790mm, assembled
1	D11396	Ø200x3790mm, assembled
1	D11397	Ø140x3200mm, assembled
1	D11398	Ø140x3200mm, assembled
2	D11614	Ø120x650mm, assembled
4	RS00270	Ø120x650mm
1	S12049	Taifun
1	S12052	Taifun net
1	S12055	Taifun
1	SR00107	Side with steps
1	SR00108	Slide tube
1	SR00109	Left ladder frame
1	SR00110	Right ladder frame
1	SR00111	Left ladder frame
1	SR00112	Right ladder frame
1	SR00113	Ø38mm, Fireman's pole
2	SR00114	Ø60mm, Tube for net

(1:90)

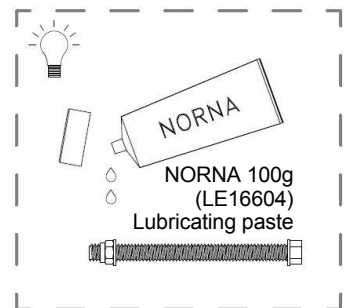


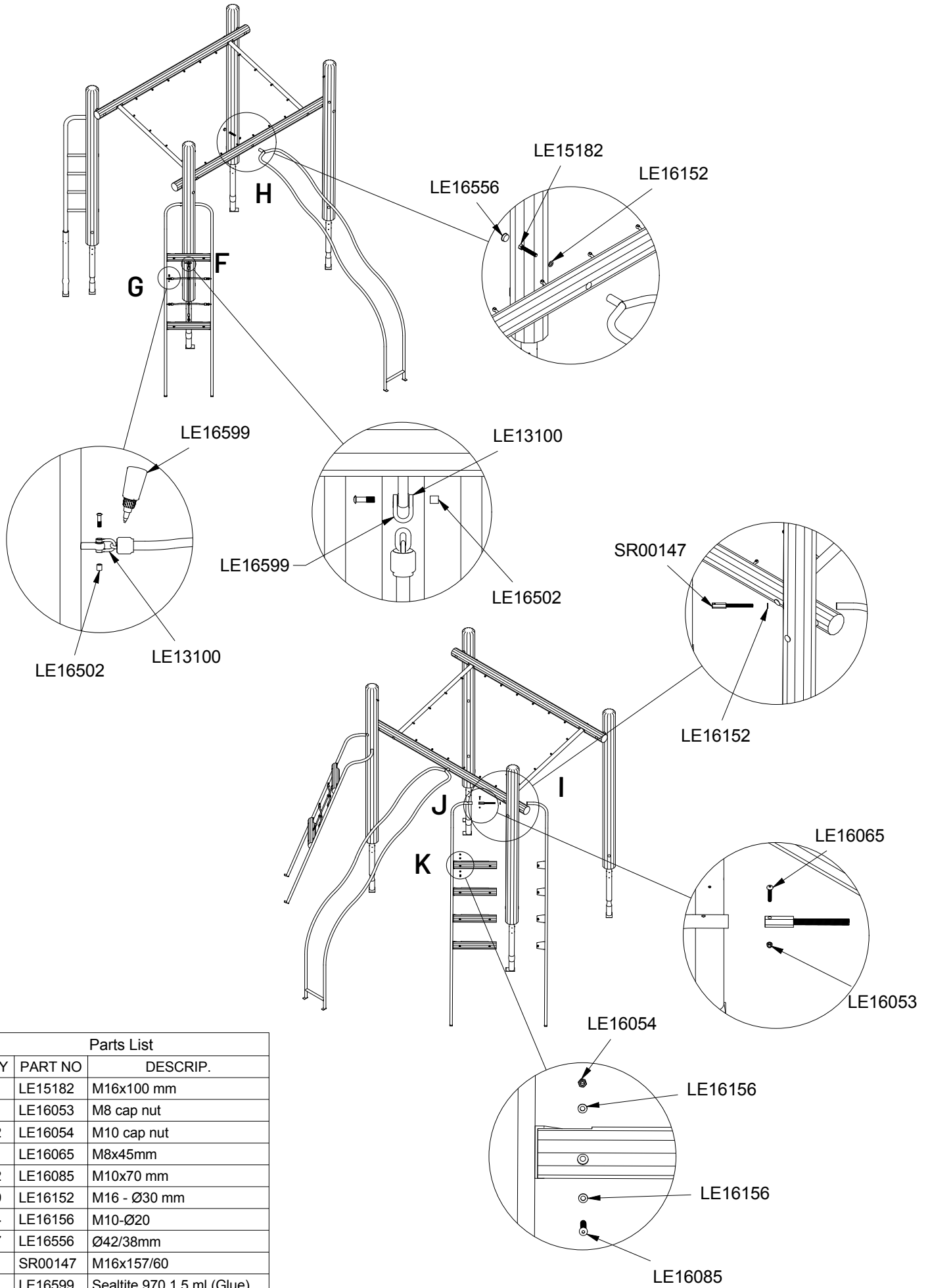
(1:80)



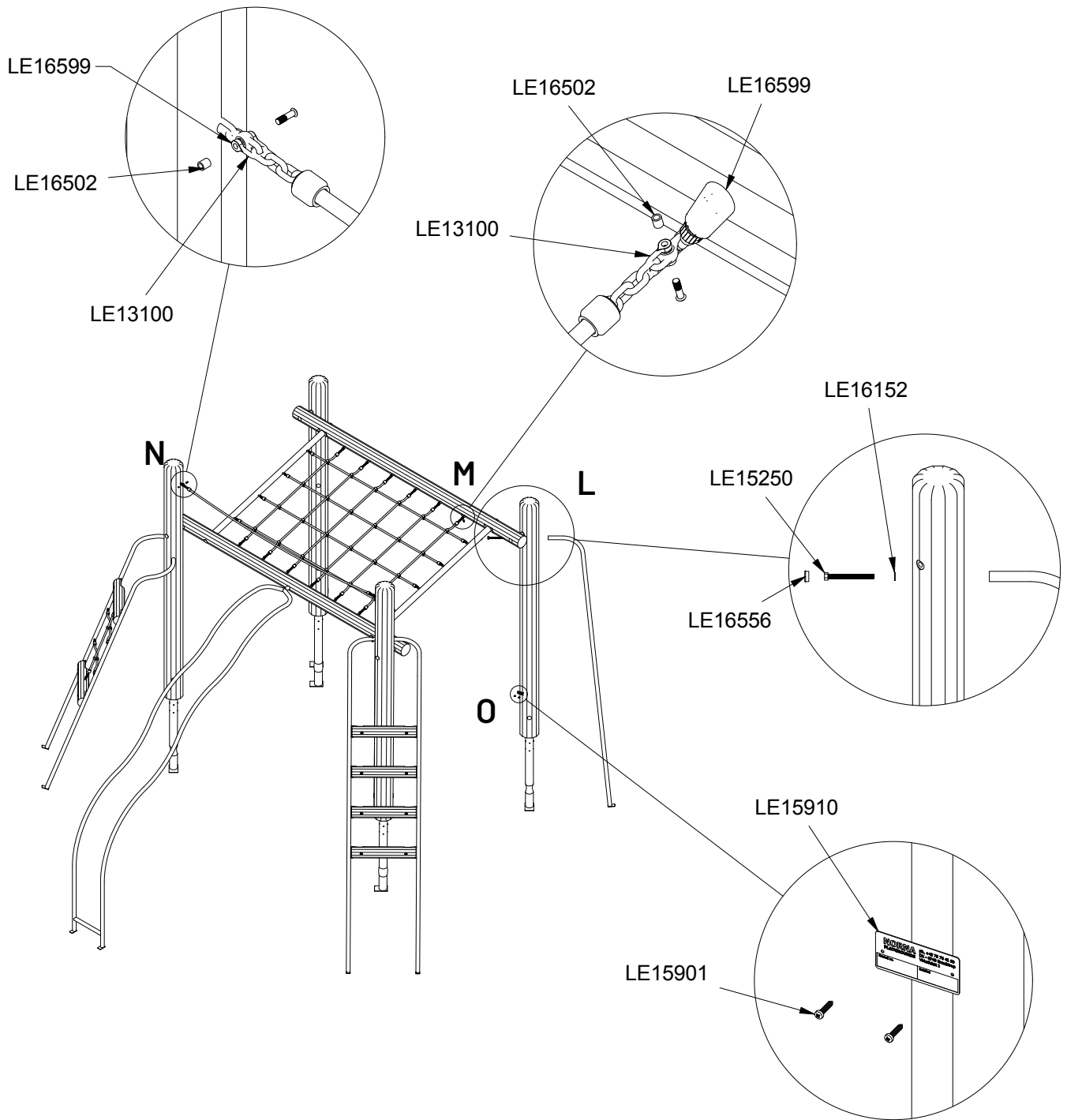


Parts List		
QTY	PART NO	DESCRIP.
4	LE15108	Ø38 x40mm Spacer
5	LE15182	M16x100 mm
4	LE15250	M16x170 mm
4	LE15258	M16x300mm
2	LE16053	M8 cap nut
12	LE16054	M10 cap nut
12	LE16085	M10x70 mm
4	LE16100	M16 nut
19	LE16152	M16 - Ø30 mm
24	LE16156	M10-Ø20
17	LE16556	Ø42/38mm
2	SR00147	M16x157/60





Parts List		
QTY	PART NO	DESCRIP.
5	LE15182	M16x100 mm
2	LE16053	M8 cap nut
12	LE16054	M10 cap nut
2	LE16065	M8x45mm
12	LE16085	M10x70 mm
19	LE16152	M16 - Ø30 mm
24	LE16156	M10-Ø20
17	LE16556	Ø42/38mm
2	SR00147	M16x157/60
3	LE16599	Sealtite 970 1,5 ml (Glue)



Parts List		
QTY	PART NO	DESCRIP.
28	LE13100	Shackle
4	LE15250	M16x170 mm
2	LE15901	3x16, PH
1	LE15910	Name tag
19	LE16152	M16 - Ø30 mm
28	LE16502	Spacer 6mm
17	LE16556	Ø42/38mm
3	LE16599	Sealtite 970 1,5 ml (Glue)