

## DATASHEET

### XBB PowerUnit

Bluetooth, 2x output

# XBB PowerUnit



## DATASHEET

# DATASHEET

## XBB PowerUnit

Bluetooth, 2x output



Order number: IDAB-2020-0528-2

Version: EN-20200918-1

## Table of contents

Important:.....	3
Safety information:.....	4
Function:.....	5
Technical data:.....	6
Dimensions:.....	7
Mounting direction:.....	8
Circuit diagram:.....	9
Traceability.....	10
Reference document.....	10
Revision.....	10

# DATASHEET

## XBB PowerUnit

Bluetooth, 2x output



Order number: IDAB-2020-0528-2

Version: EN-20200918-1

---

## Important:

This section contains information that is important for you to know when reading the datasheet and before working with the XBB PowerUnit™.

It includes the safety information that applies when you are working on and with the XBB PowerUnit™ and its surrounding parts.




# DATASHEET

## XBB PowerUnit

Bluetooth, 2x output

## Safety information:

Follow the instructions to avoid injury or damage the equipment:

	<b>WARNING!</b> <i>There are ESD sensitive components inside the XBB PowerUnit™.</i>
	<b>WARNING!</b> <i>Contains electronics. Must be recycled. Do not dispose in household garbage.</i>
	<b>WARNING!</b> <i>Newer work on XBB PowerUnit™ with the power supply on.</i>

# DATASHEET

## XBB PowerUnit

Bluetooth, 2x output



Order number: IDAB-2020-0528-2

Version: EN-20200918-1

## Function:

XBB PowerUnit™ serves as the relay for auxiliary equipment such as LED-bars, working lights and other types of electrical consumers that can be mounted on vehicles.

The XBB PowerUnit™ is equipped with 2 fully programmable outputs that can be connected in parallel to support a higher load. Each output is short circuit and overload protected. XBB PowerUnit is fully programmable with the TSharkRex™ programming language.

XBB PowerUnit™ is Bluetooth 5 compatible.

# DATASHEET

## XBB PowerUnit

Bluetooth, 2x output

## Technical data:

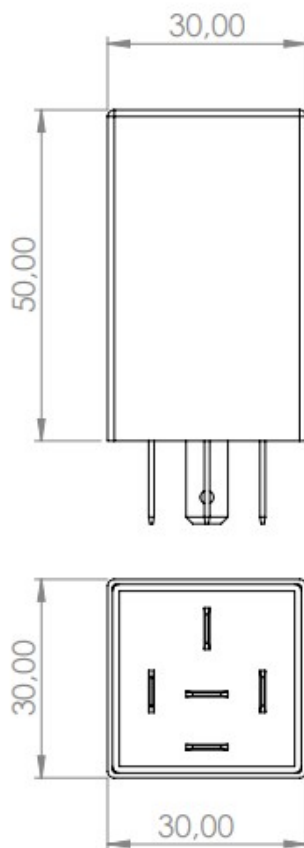
Rated voltage:	12 / 24	V
Operating voltage:	9 – 36	V
Quiescent current Standby mode:	4 – 5.3	mA
Output #1:	15	A
Output #2:	5	A
Protection class:	IP 53	(flat plug to bottom)
Implementation:	Plastic	PA66
EMC/Standards:	EN 50498:2010 EN 50581:2012 RED 2014/53/EU EN 300328 – V2.1.1 EN 301489-01 – V2.1.1 EN301489-17 – V3.1.1 EN 60950 – 1:2006 /11:2009 /A1:2010 /A12:2011 /A2:2013 EN 62479:2011-09 RoHS 2011/65/EU	
Permissible temperature range:	-40 to +85	°C
Weight:	27	g
Connection:	5 x 6,3 mm	ISO 7588 Socket
Mounting:	On socket	
Feature:	Bluetooth communication, current monitoring.	

# DATASHEET

## XBB PowerUnit

Bluetooth, 2x output

### Dimensions:



## DATASHEET

### XBB PowerUnit

Bluetooth, 2x output



Order number: IDAB-2020-0528-2

Version: EN-20200918-1

---

## Mounting direction:

A very important step is the placement and mounting direction of the XBB PowerUnit™. When installing XBB PowerUnit™ in the engine compartment it is very important to mount the XBB PowerUnit™ with the socket pointing downwards. XBB PowerUnit™ has IP 53 protection only when mounted with the socket downwards.

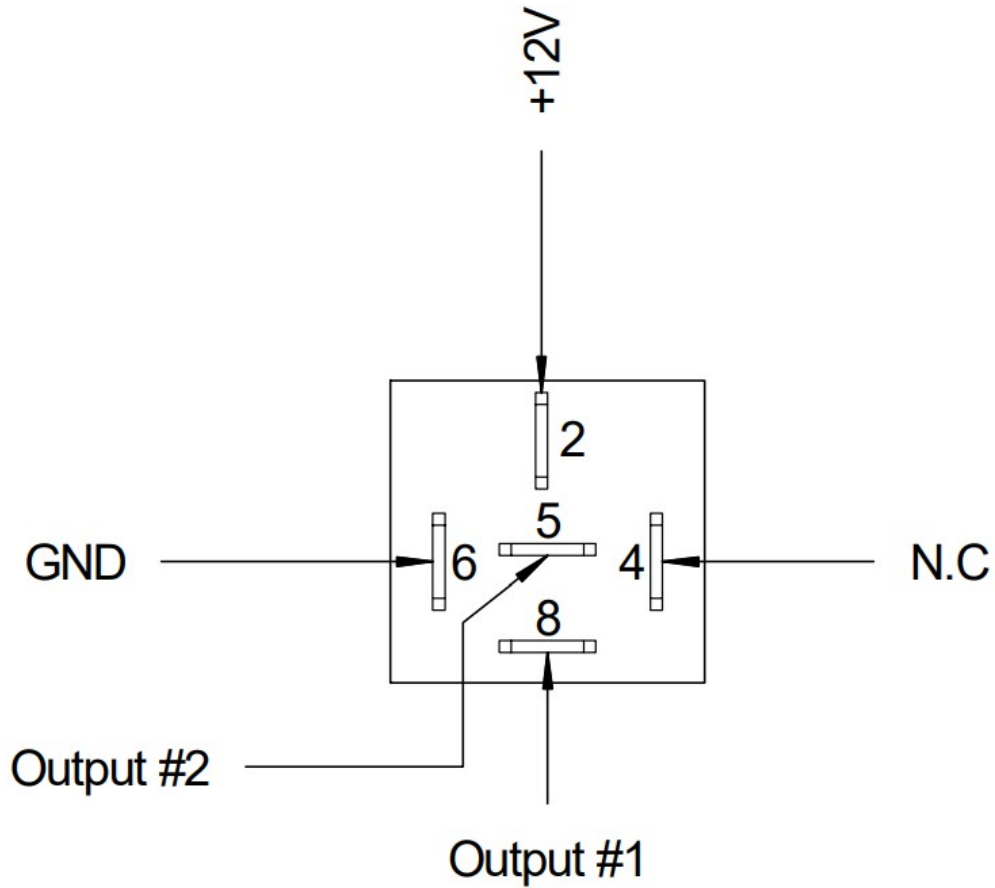
### Note!

Avoid using water to wash the surrounding parts and XBB PowerUnit™. If you must use water or pressure washer, please remove XBB PowerUnit™ from the relay socket before using water.

Placement from the XBB Dongle™ should be as short as possible. Even though both XBB PowerUnit™ and XBB Dongle™ have a relatively high output power, the signal can be disturbed due to encapsulation depending on vehicle construction and/or damping materials.



## Circuit diagram:



### Note!

The picture represents the underside of the relay, not relay socket.

# DATASHEET

## XBB PowerUnit

Bluetooth, 2x output

Order number: IDAB-2020-0528-2

Version: EN-20200918-1

## Traceability

### Reference document

Denomination	Publication number
Reference instruction	Nr:EN-20200918-1

## Revision

The following significant changes have taken place since the previous version:

Rev	Page	Description of revision	Approved by tech. manager	Date	App. by doc. officer.	Date
1	ALL	Creation of doc.	KHS	20-09-18	KHS	20-09-18
2	8	Added mounting direction.	KHS	20-10-13	KHS	20-10-13
3						
4						
5						