



INSTALLATION INSTRUCTIONS

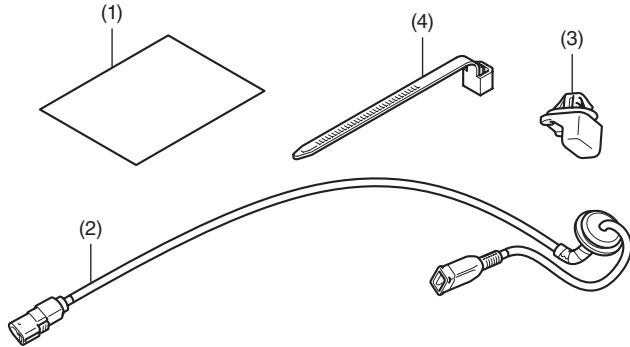
Accessory
USB CODE & ATTACHMENT
P/N 08E79-MKC-A00

Application
GL1800/B/BD/D/DA

Publication No.
MII
Issue Date
September 2017

Honda Dealer: Please give a copy of these instructions to your customer.

PARTS LIST



No.	Description	Qty
(1)	Installation Instructions URL	1
(2)	USB code	1
(3)	Holder clip	1
(4)	Wire tie	3

SUPPLIES REQUIRED

Synthetic detergent solution
(Water : Synthetic detergent / 100 : 1)
Shop towel
Nippers

TORQUE CHART

Refer to the Service Manual for the torque values of the removed parts.

INSTALLATION

▲ CAUTION

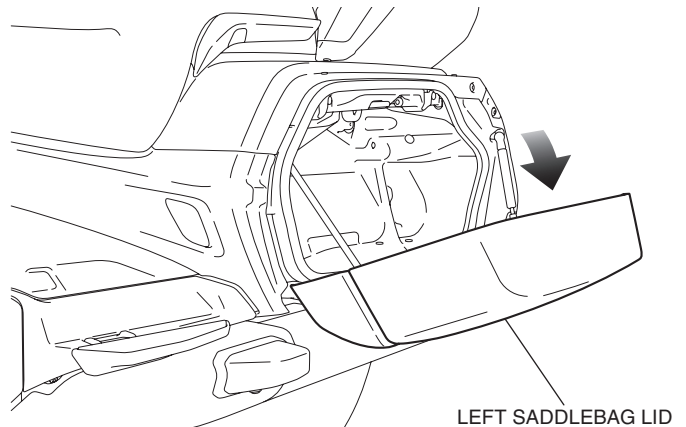
- To prevent burns, allow the engine, exhaust system, radiator, etc., to cool before installing the accessory.

NOTE:

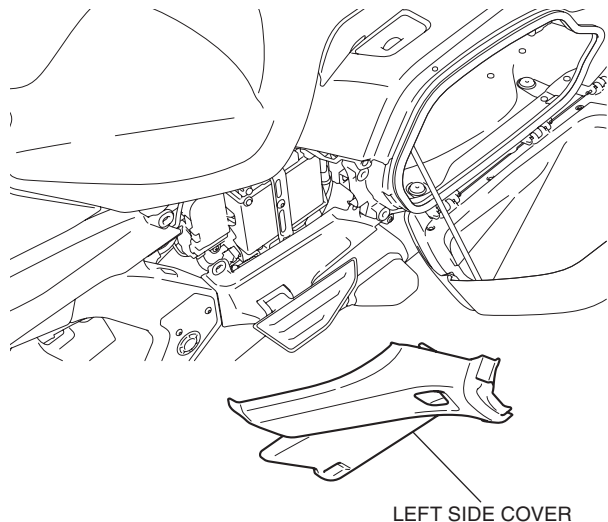
- Disconnect the negative (-) cable from the battery before installing this accessory.
- The memories of the clock will be erased when you disconnect the battery. Reset the memories after reconnecting the battery.
- Reinstall the removed parts on the motorcycle and make sure that the wires and harnesses are not pinched.
- Trim the excess ends off the wire ties after attaching them to the wire harnesses. Do not allow the cut part of the wire tie to interfere with another harness or brake hose.
- Although the illustration is of GL1800/D/DA, use the same procedures for other models.

- Open the left saddlebag lid as shown.
 - Repeat on the right side.

<Left side>

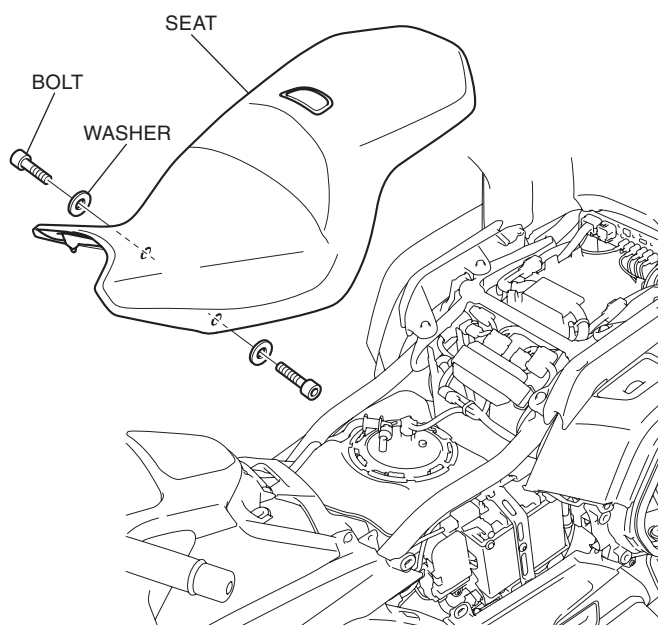


- Remove the left side cover as shown, and disconnect the negative (-) cable of the battery.

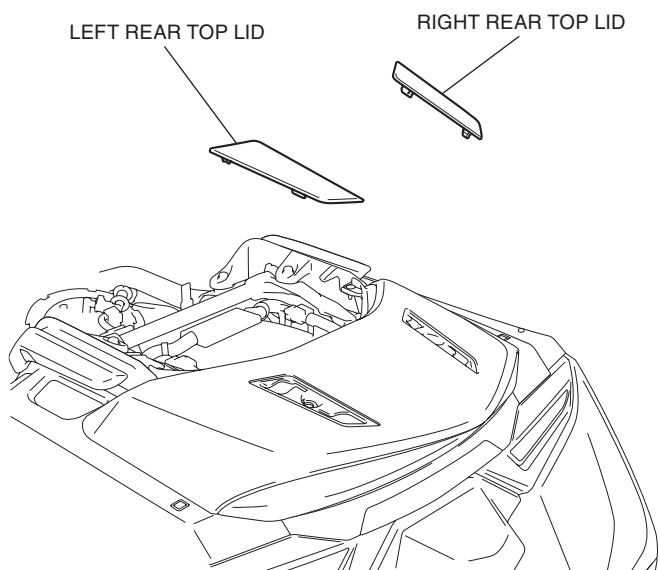


- Remove the right side cover in the same manner as the left side.

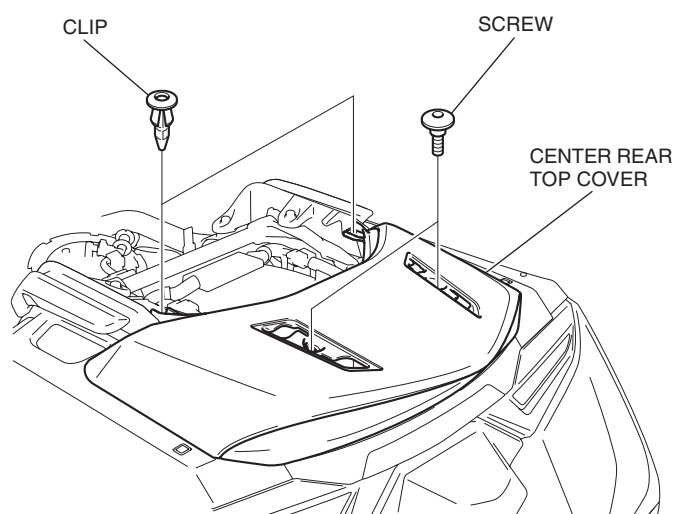
4. Remove the seat as shown.
- **Disconnect the connector for GL1800/D/DA.**



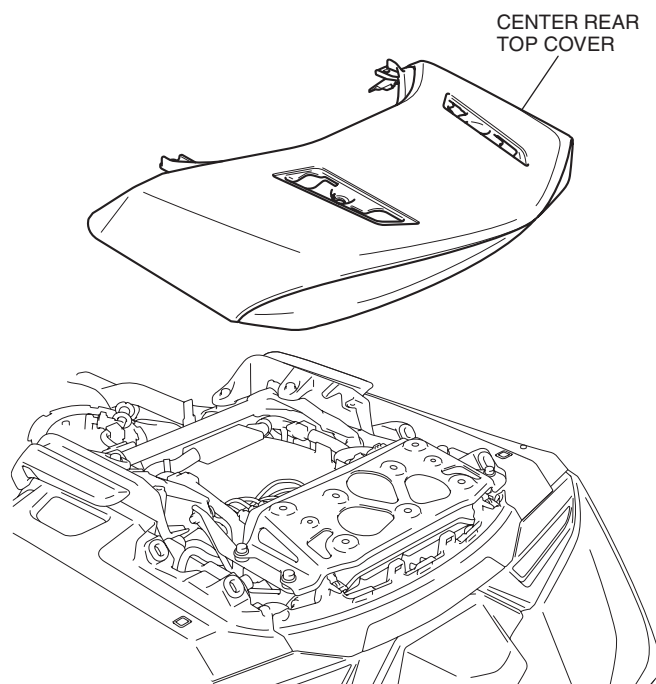
5. Remove the right and left rear top lid as shown.
- **Perform this step on GL1800B/BD only.**



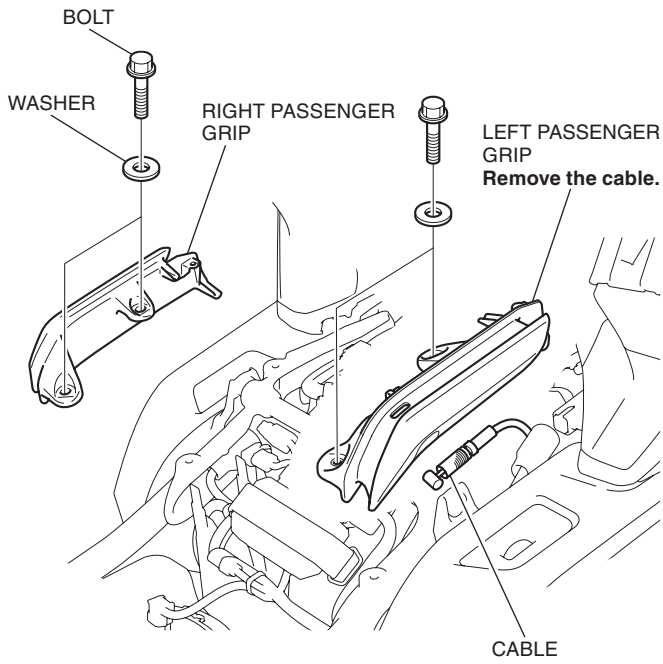
6. Remove the parts as shown.
- **Perform this step on GL1800B/BD only.**



7. Remove the center rear top cover as shown.
- **Perform this step on GL1800B/BD only.**

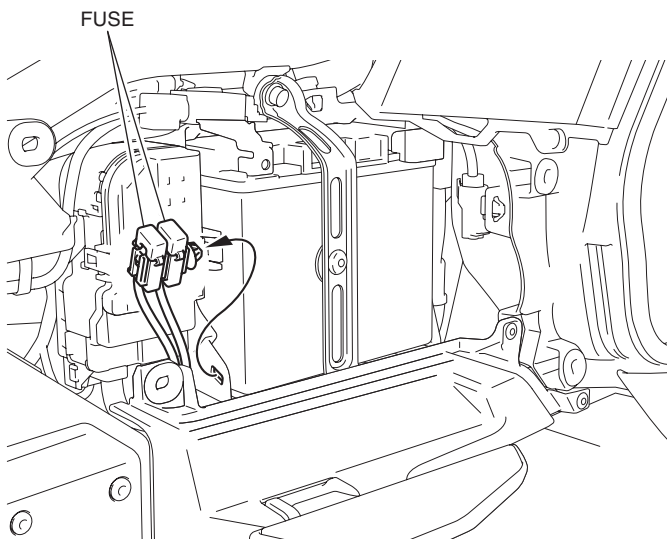


8. Remove the right and left passenger grip as shown.

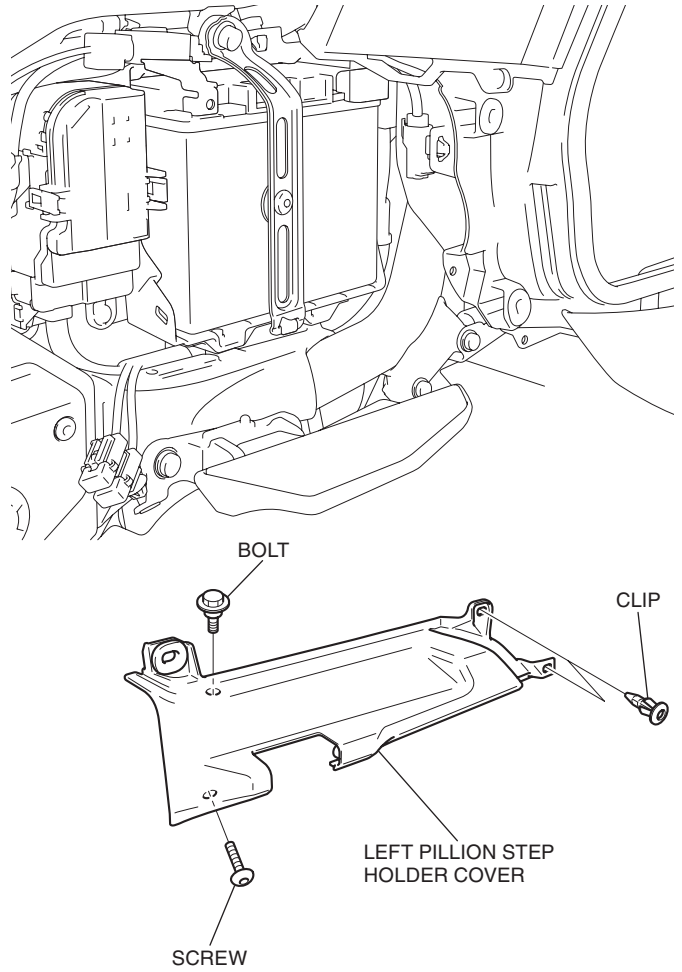


9. Remove the fuse as shown.

<Left side>

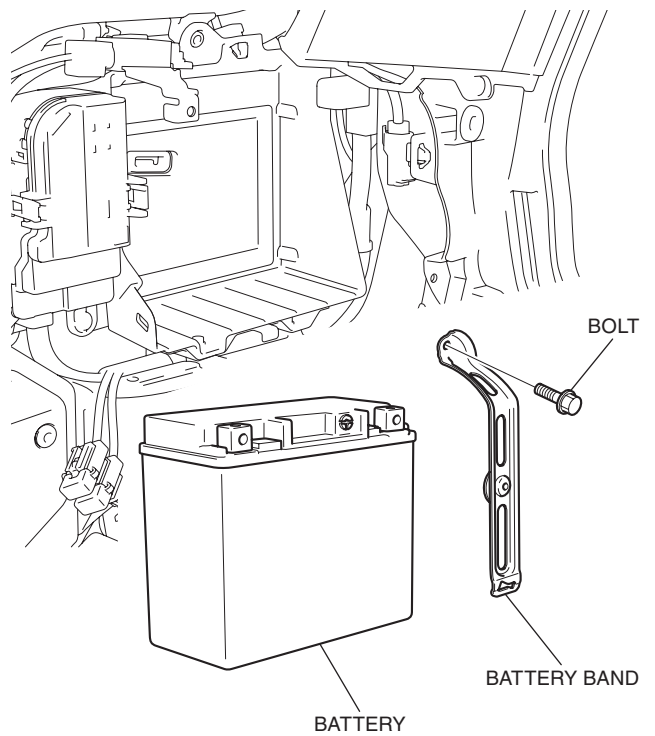


10. Remove the left pillion step holder cover as shown.

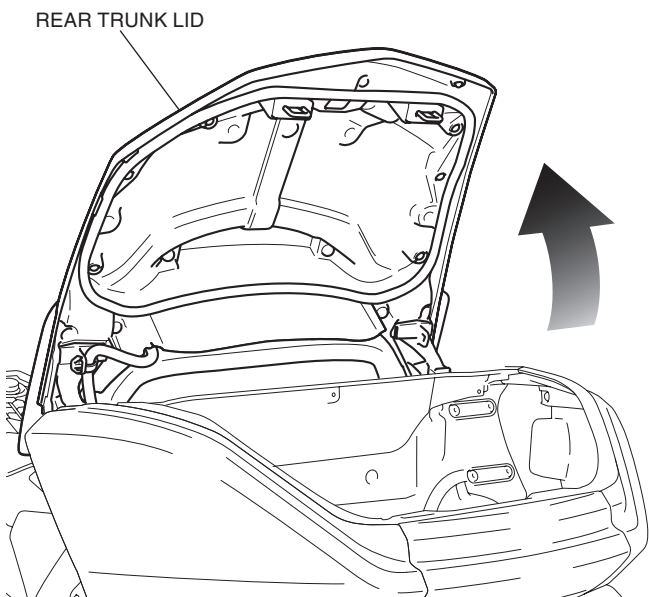


11. Remove the battery band and battery as shown.

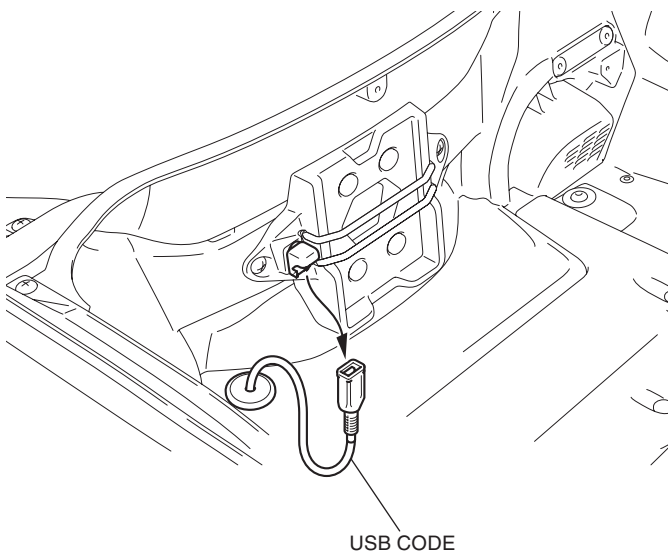
- **Disconnect the positive (+) cable of the battery.**



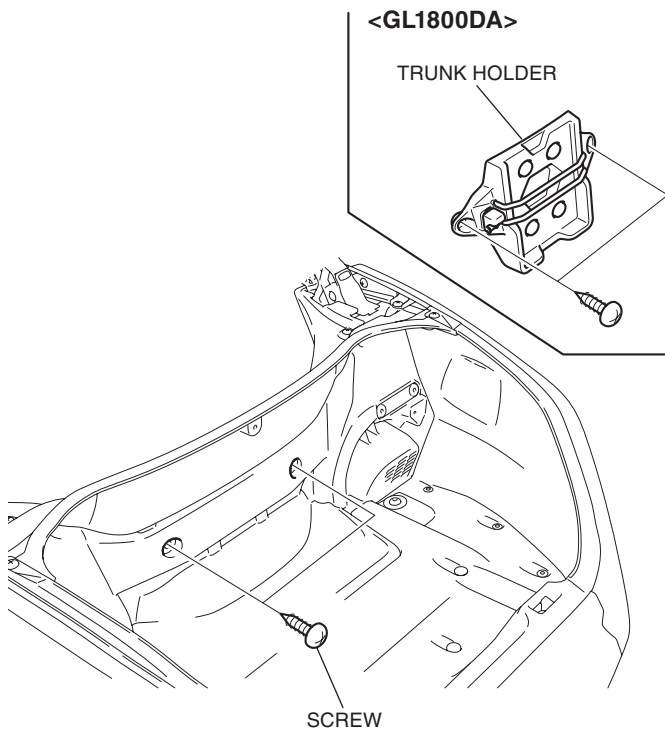
12. Open the rear trunk lid as shown.
- Perform this step on GL1800/D/DA only.
 - Refer to the Owner's Manual and using an emergency trunk cable to open the rear trunk lid.



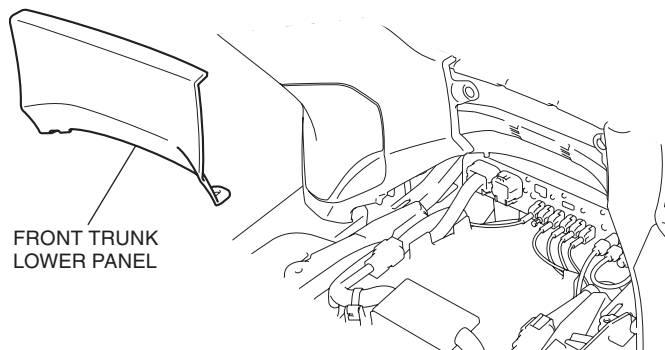
13. Remove the USB code as shown.
- Perform this step on GL1800DA only.



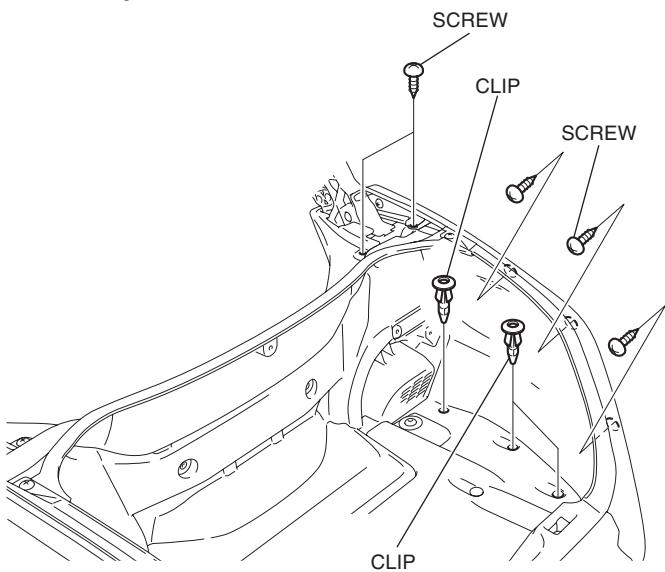
14. Remove the parts as shown.
- Perform this step on GL1800/D/DA only.



15. Remove the front trunk lower panel as shown.
- Perform this step on GL1800/D/DA only.

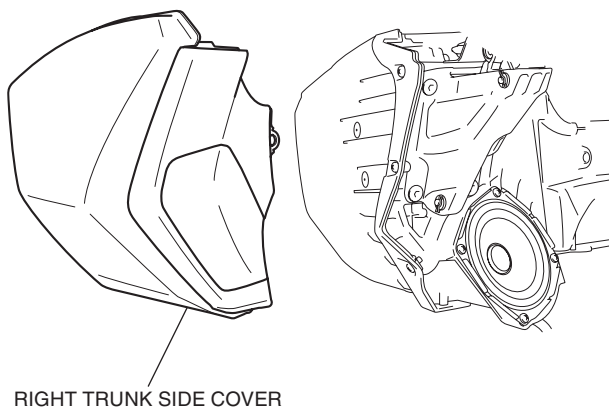


16. Remove the parts as shown.
- Perform this step on GL1800/D/DA only.
 - Repeat on the left side.



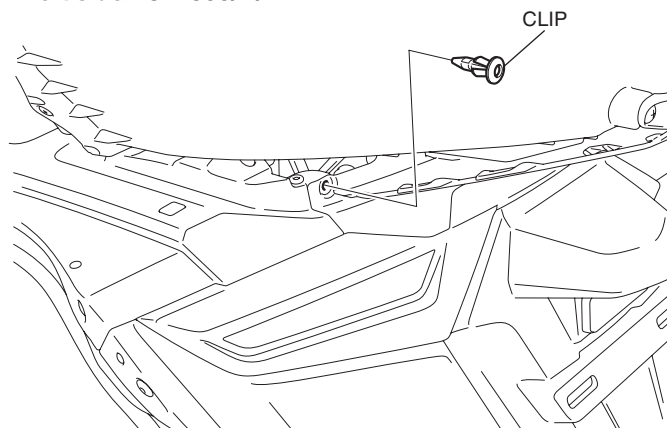
17. Remove the right trunk side cover as shown.
- Perform this step on GL1800/D/DA only.
 - Repeat on the left side.

<Right side>

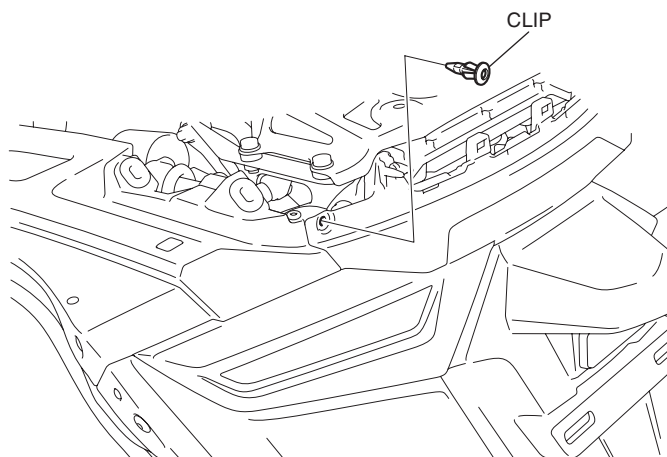


18. Remove the clips as shown.
- Repeat on the right side.

<Left side> GL1800/D/DA

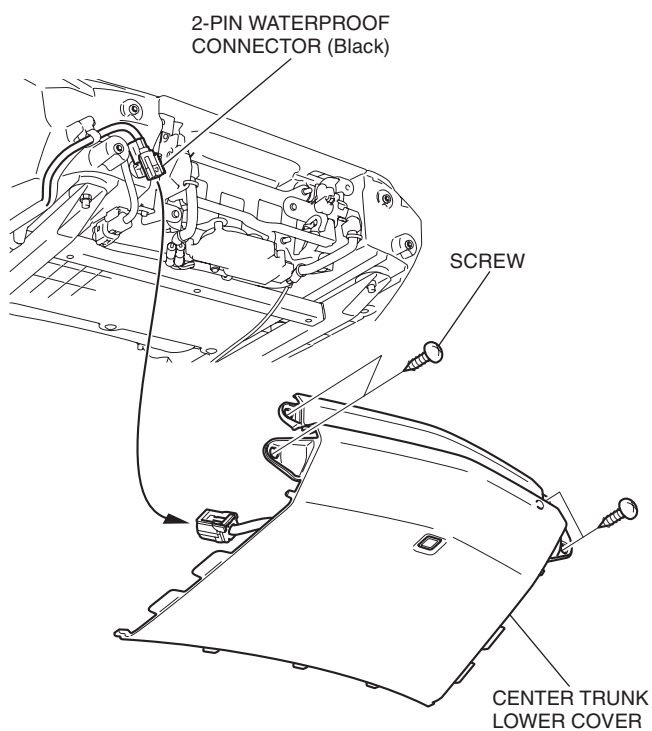


<Left side> GL1800B/BD

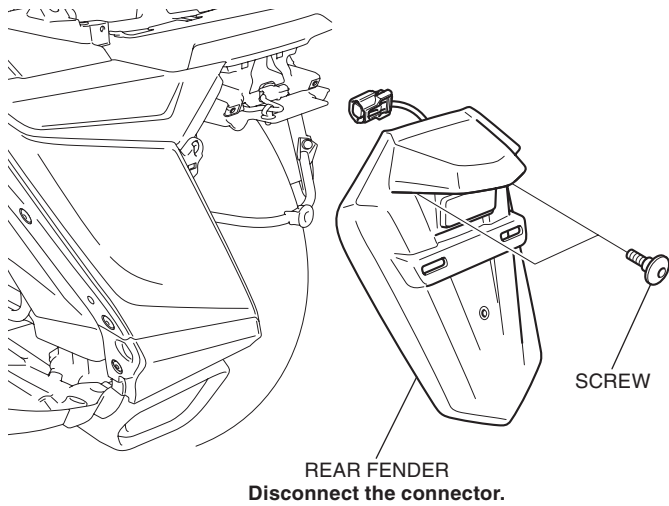


19. Disconnect the connector and remove the center trunk lower cover as shown.

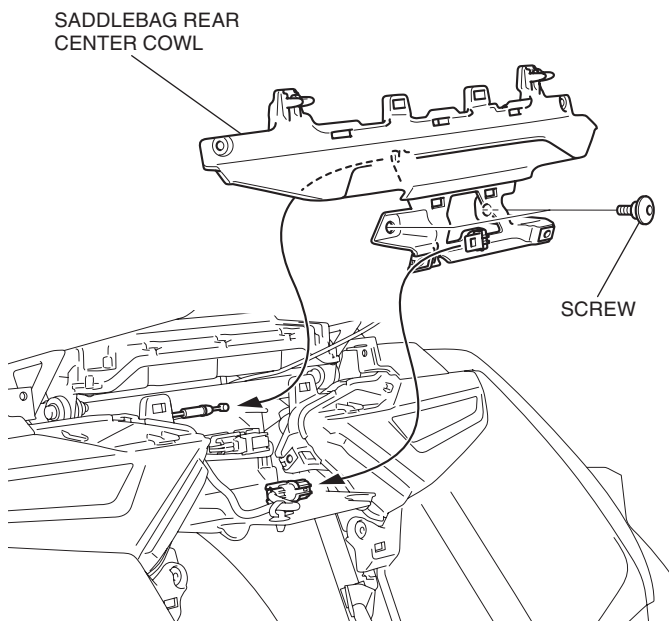
- Perform this step on GL1800/D/DA only.



20. Remove the rear fender as shown.

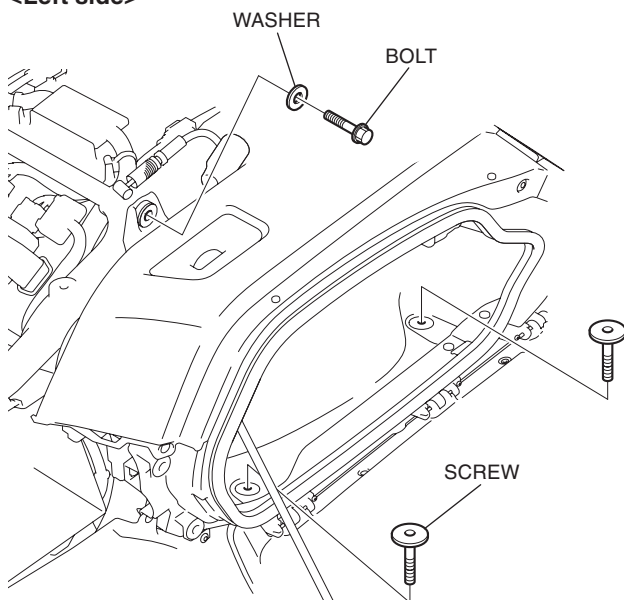


21. Remove the saddlebag rear center cowl as shown.

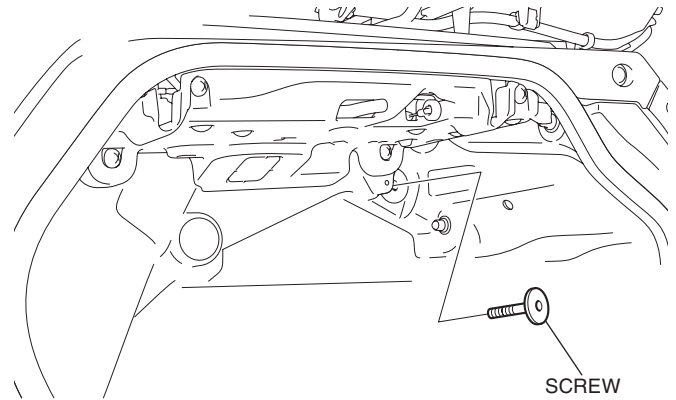


22. Remove the parts as shown.

<Left side>

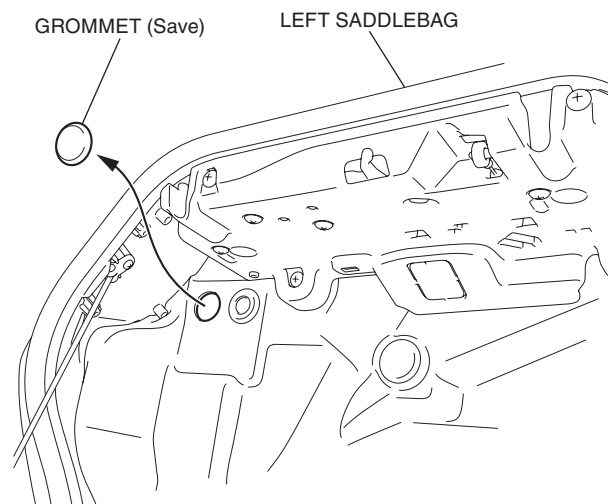


23. Remove the screw as shown.

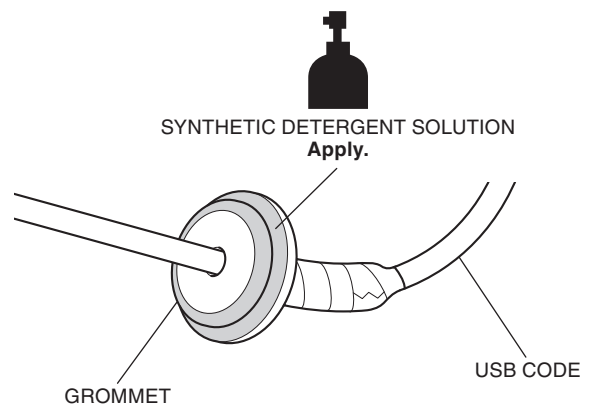


24. Remove the grommet as shown.

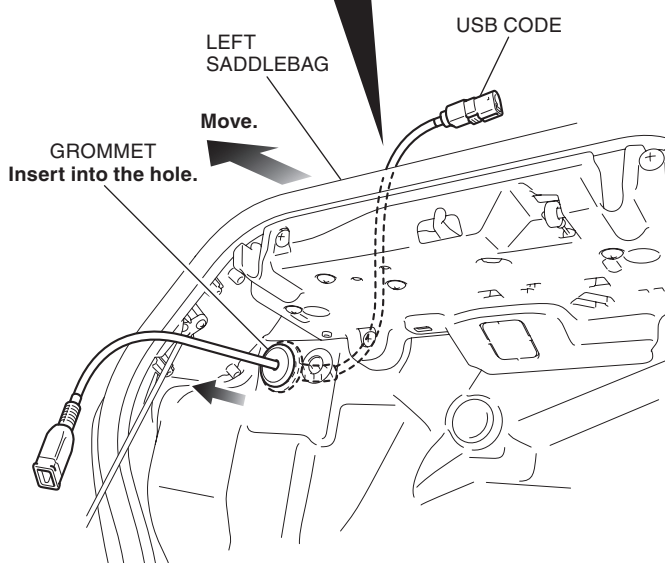
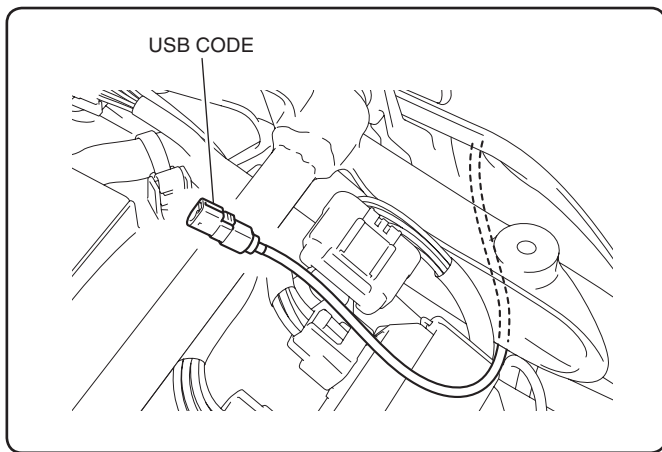
<Left side>



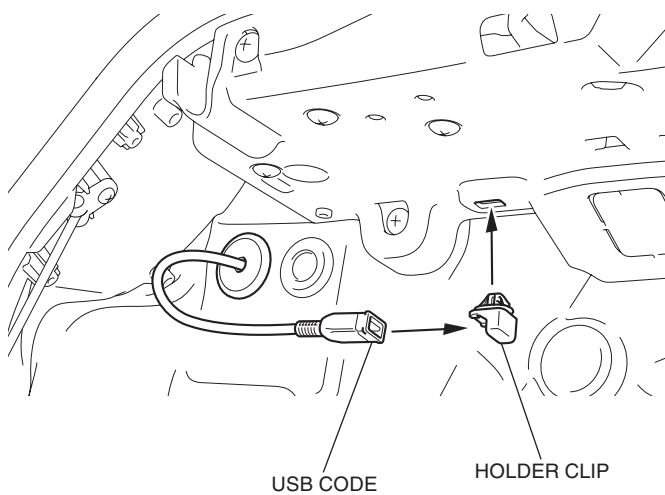
25. Apply synthetic detergent solution to the position shown.



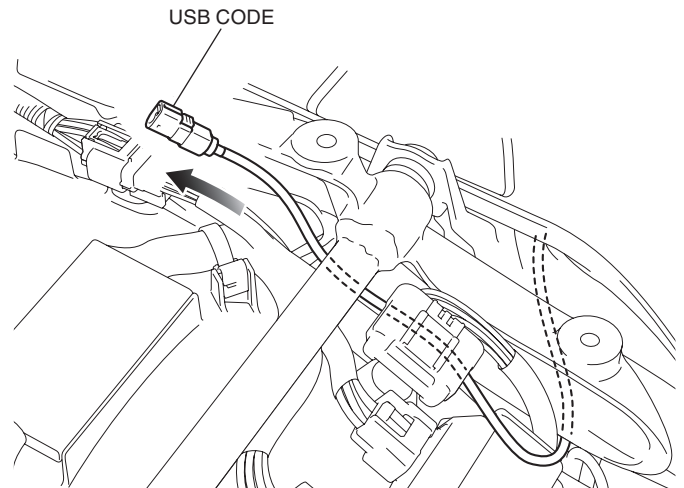
26. Move the left saddlebag and route the USB code as shown.



27. Install the holder clip as shown.

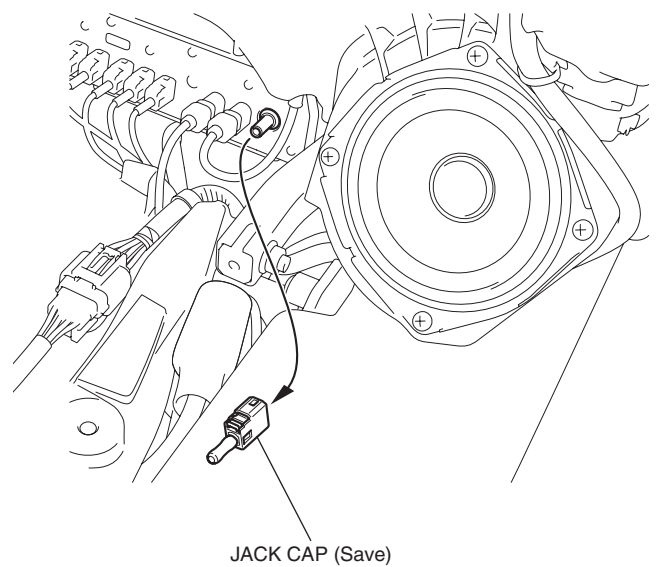


28. Route the USB code as shown.



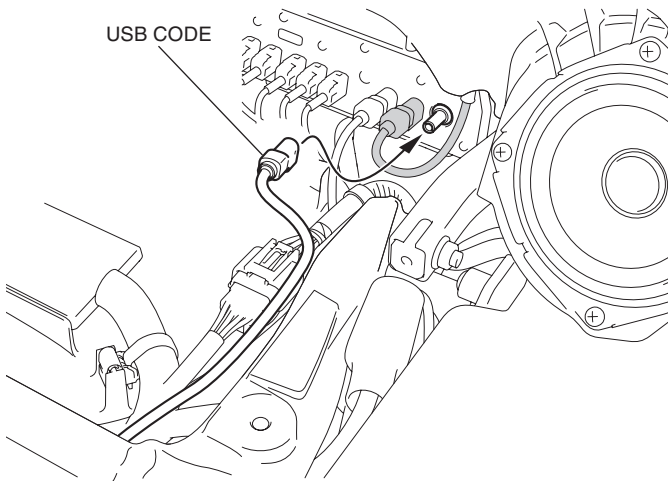
29. Install the left saddlebag in the reverse order of removal.

30. Remove the jack cap as shown.

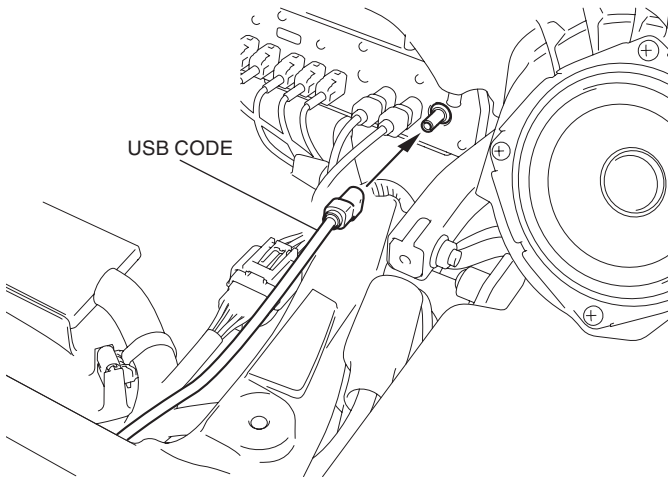


31. Route and connect the USB code as shown.

<GL1800DA>

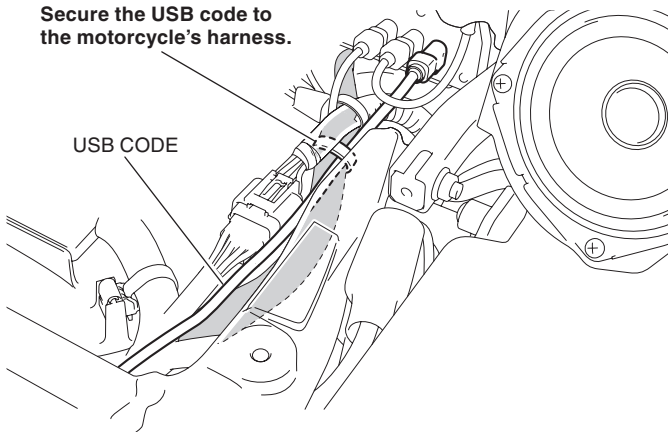


<GL1800/B/BD/D>

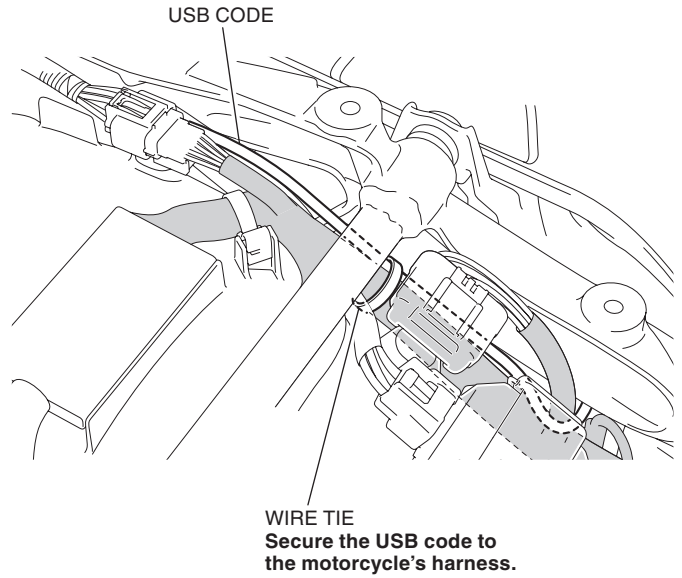


32. Secure the USB code with the wire tie as shown.

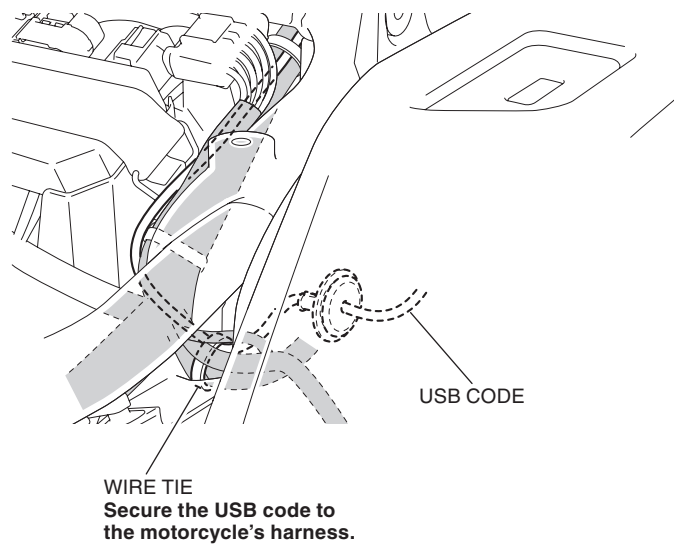
WIRE TIE
Secure the USB code to
the motorcycle's harness.



33. Secure the USB code with the wire tie as shown.



34. Secure the USB code with the wire tie as shown.



35. Install the motorcycle's parts in the reverse order of removal.

- **Confirm that any wire harness is not caught or too tight.**

36. Check the USB code, headlight and the other lights for proper operation.