



INSTALLATION INSTRUCTIONS

Accessory

TRUNK SUB HARNESS
P/N 08E86-MKC-A00

Application

GL1800/B/BD/D/DA

Publication No.

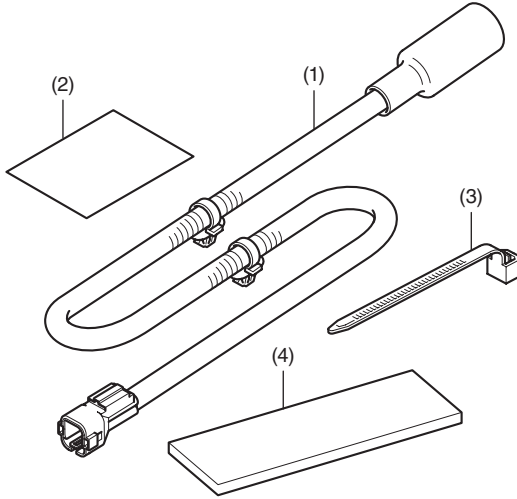
MII

Issue Date

September 2017

Honda Dealer: Please give a copy of these instructions to your customer.

PARTS LIST



No.	Description	Qty
(1)	Trunk sub harness	1
(2)	Installation Instructions URL	1
(3)	Wire tie	1
(4)	Cushion	2

SUPPLIES REQUIRED

Nippers
 Scissors
 Scale
 Marker
 Isopropyl alcohol
 Shop towel

TORQUE CHART

Refer to the Service Manual for the torque values of the removed parts.

INSTALLATION

▲ CAUTION

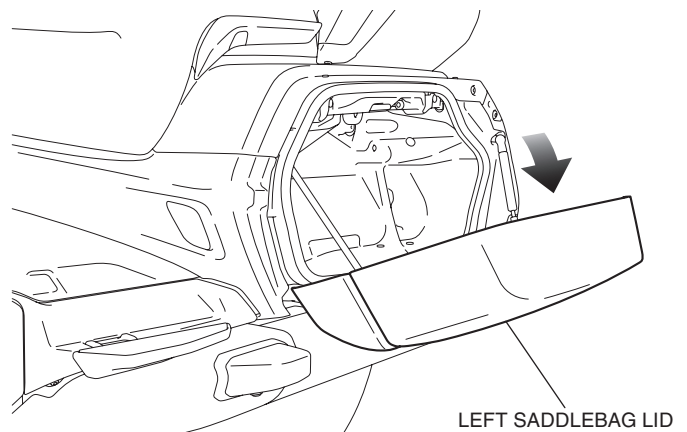
- To prevent burns, allow the engine, exhaust system, radiator, etc., to cool before installing the accessory.

NOTE:

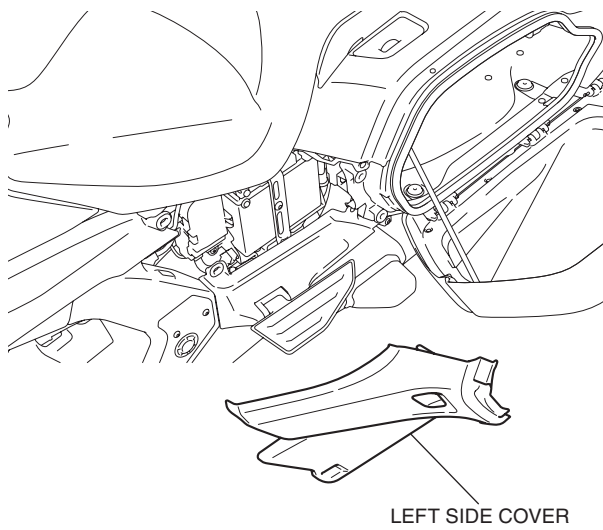
- Heat the bonding surfaces with a hair dryer if the ambient air temperature is below 70°F (21°C).
- The adhesive reaches full strength in 72 hours. Wait at least 24 hours before riding your motorcycle.
- Disconnect the negative (-) cable from the battery before installing this accessory.
- The memories of the clock will be erased when you disconnect the battery. Reset the memories after reconnecting the battery.
- Reinstall the removed parts on the motorcycle and make sure that the wires and harnesses are not pinched.
- Trim the excess ends off the wire ties after attaching them to the wire harnesses. Do not allow the cut part of the wire tie to interfere with another harness or brake hose.
- For installation of trunk inner lamp and LED high mount stop, refer to the installation instructions for the each accessory.

- Open the left saddlebag lid as shown.
 - Repeat on the right side.

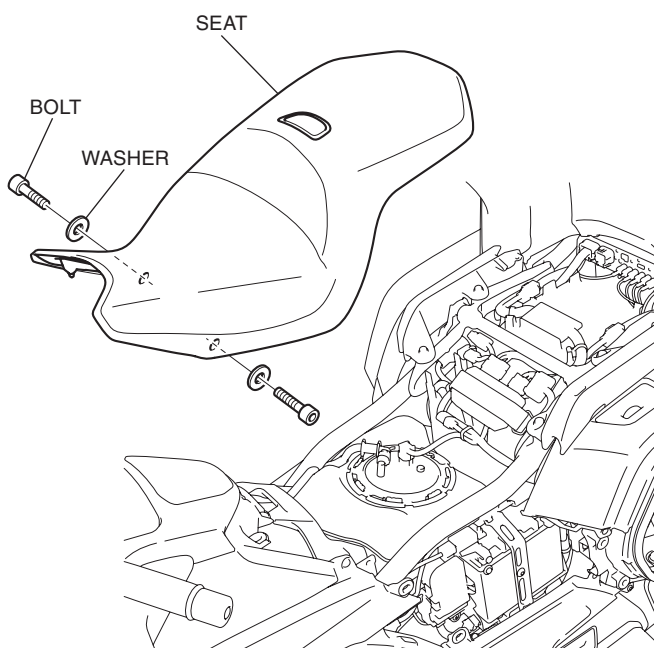
<Left side>



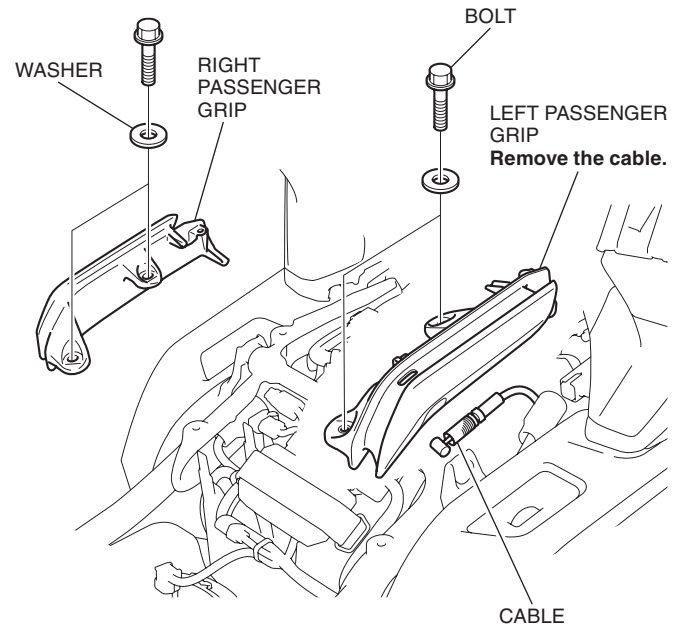
2. Remove the left side cover as shown, and disconnect the negative (-) cable of battery.



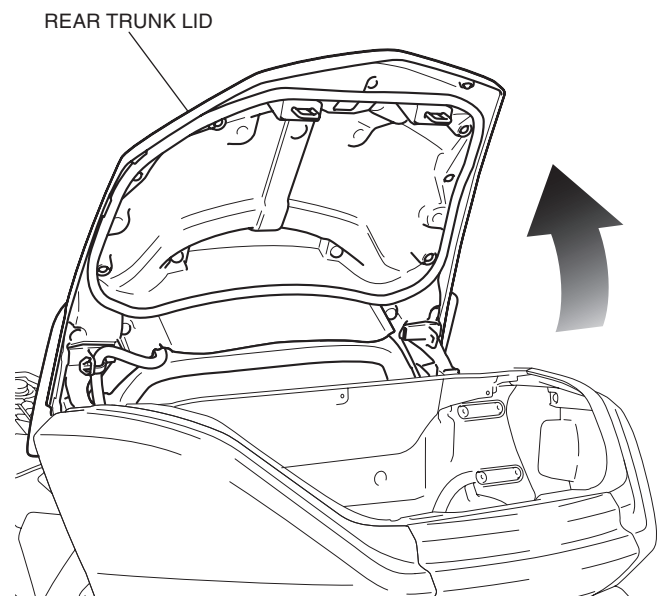
3. Remove the right side cover in the same manner as the left side.
4. Remove the seat as shown.
• **Disconnect the connector for GL1800/D/DA.**



5. Remove the right and left passenger grip as shown.

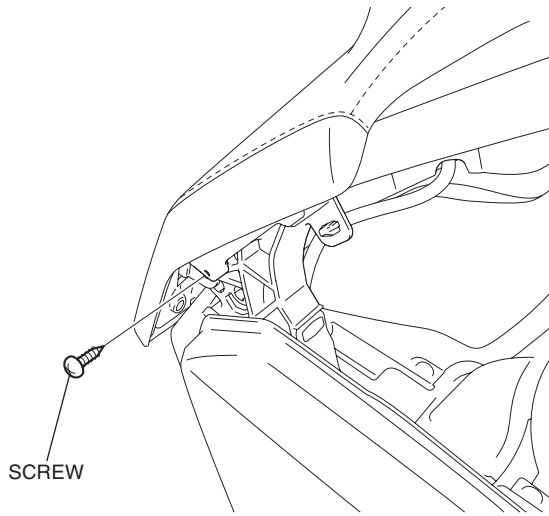


6. Open the rear trunk lid as shown.
• **Refer to the Owner's Manual and using an emergency trunk cable to open the rear trunk lid.**

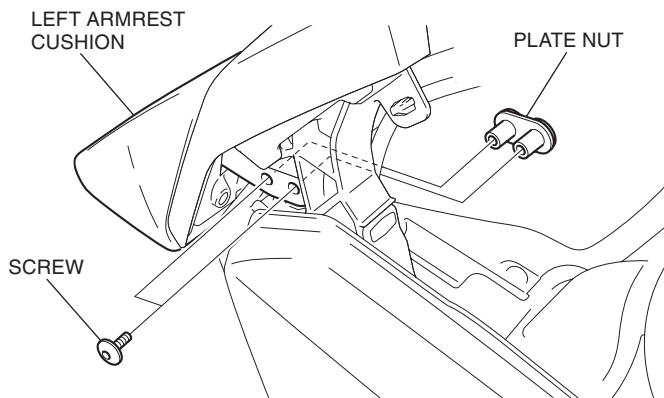


7. Remove the parts as shown.
 • Repeat on the right side.

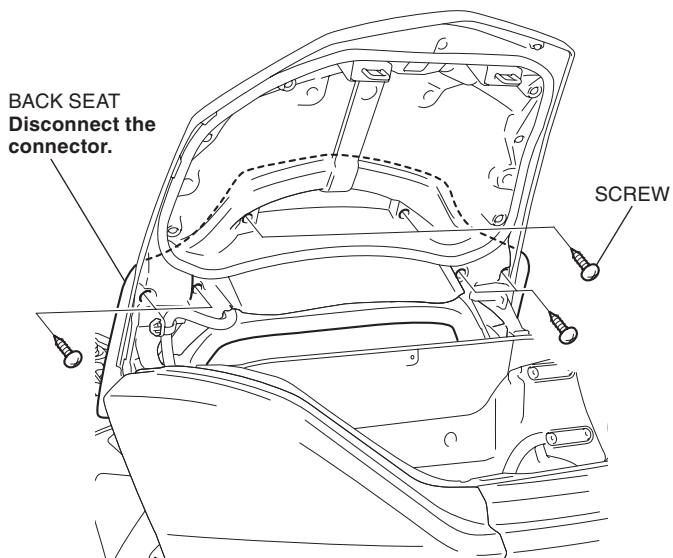
<Left side> GL1800/B/BD/D



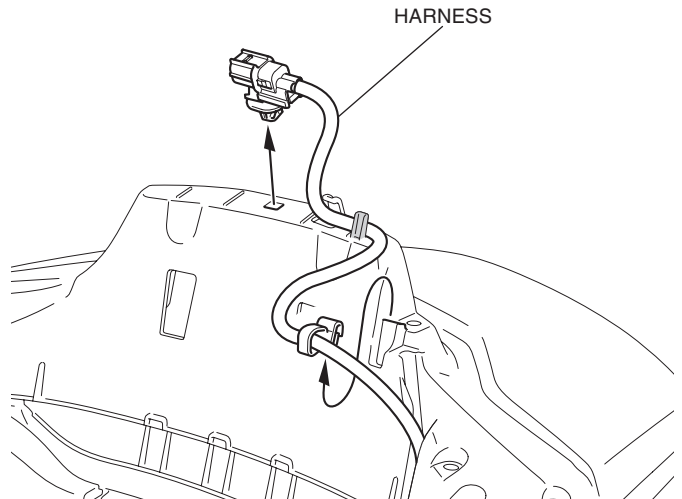
<Left side> GL1800DA



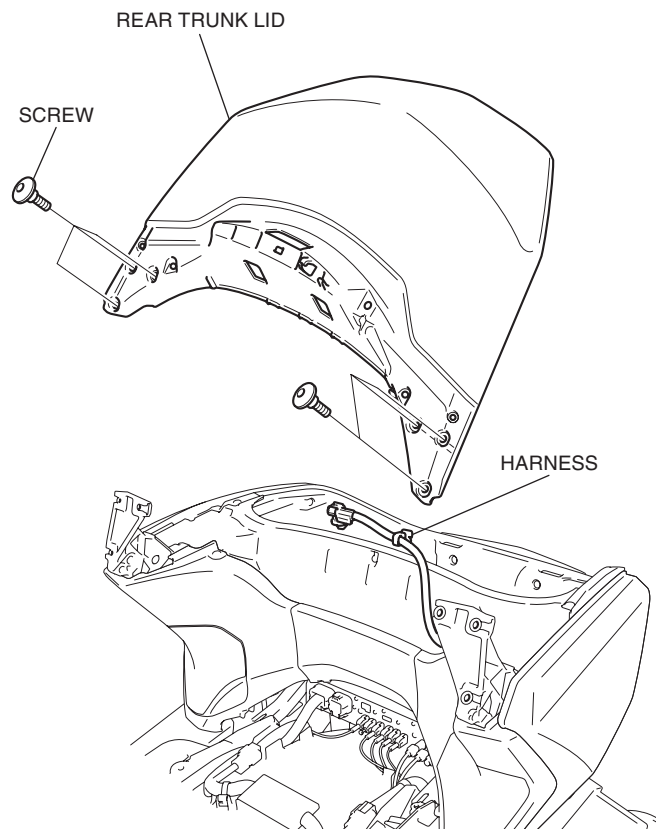
8. Remove the back seat as shown.



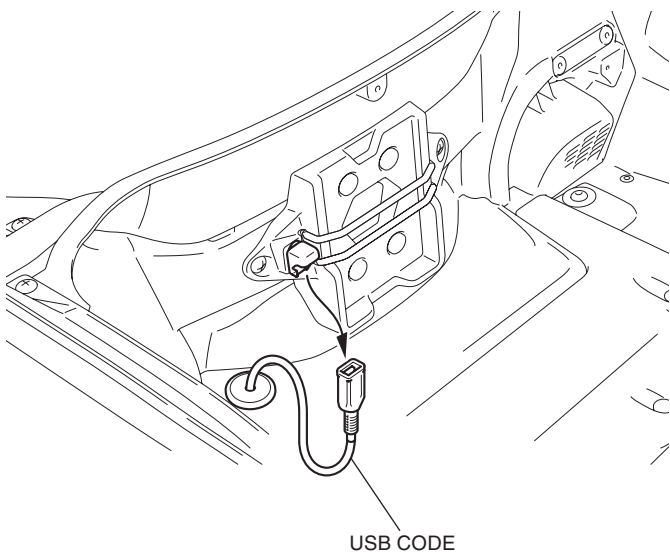
9. Remove the harness as shown.



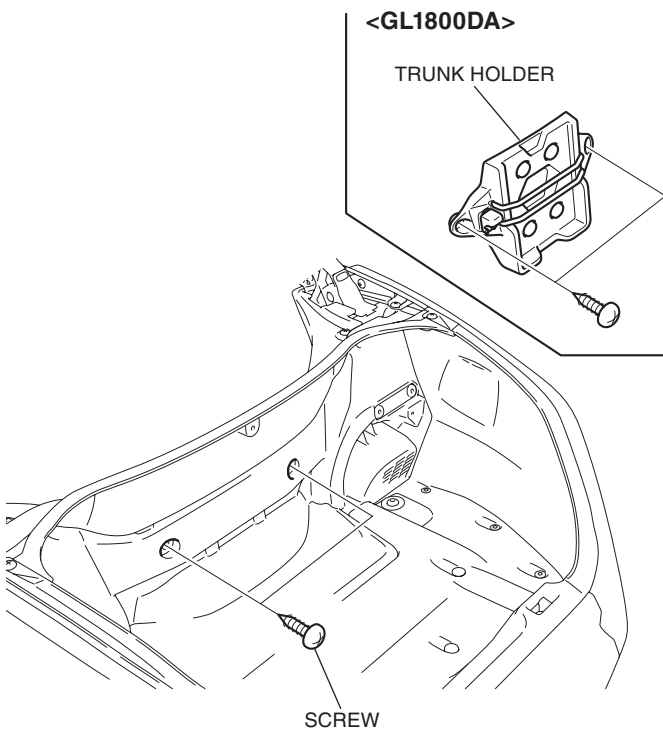
10. Remove the rear trunk lid as shown.



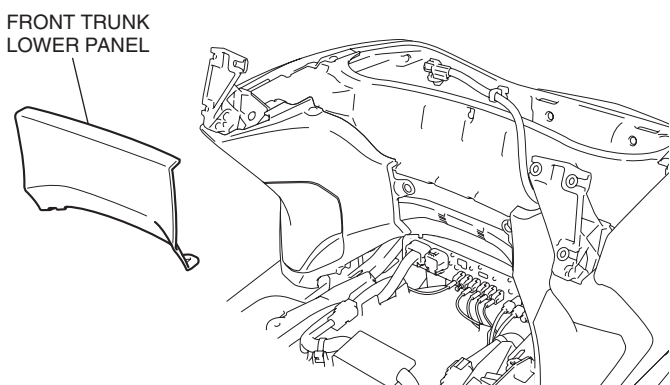
11. Remove the USB code as shown.
- Perform this step on GL1800DA only.



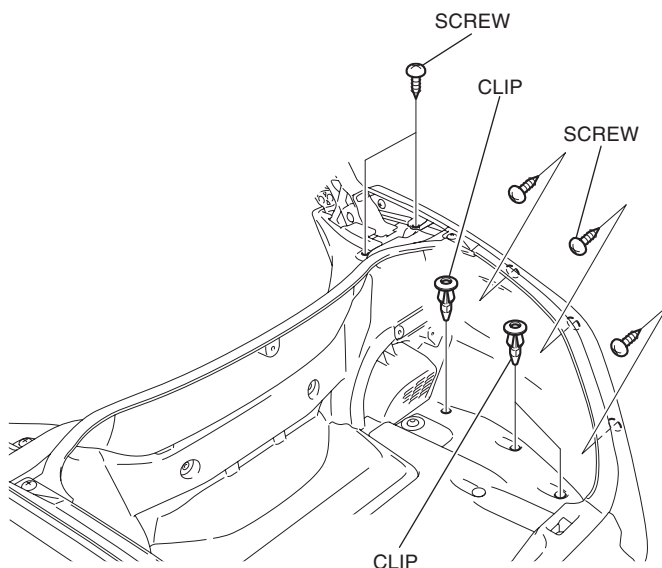
12. Remove the parts as shown.



13. Remove the front trunk lower panel as shown.

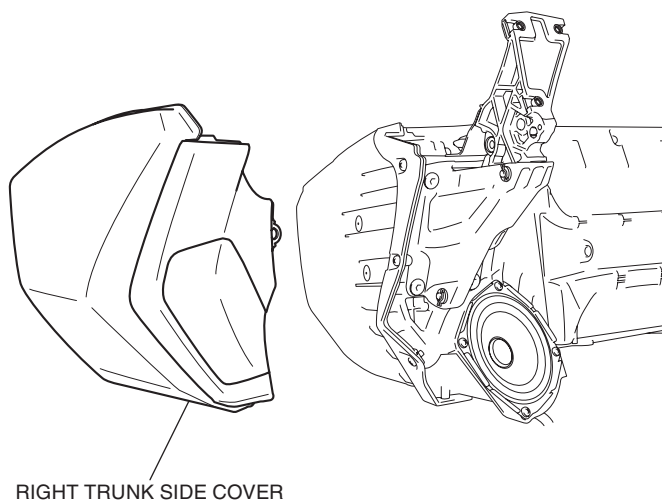


14. Remove the parts as shown.
- When installing the chrome trunk rack and LED high mount stop, repeat on the left side.



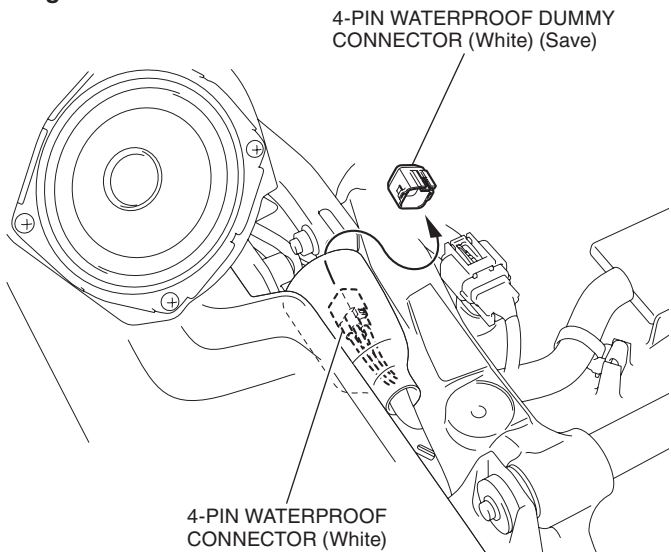
15. Remove the right trunk side cover as shown.
- When installing the chrome trunk rack and LED high mount stop, repeat on the left side.

<Right side>

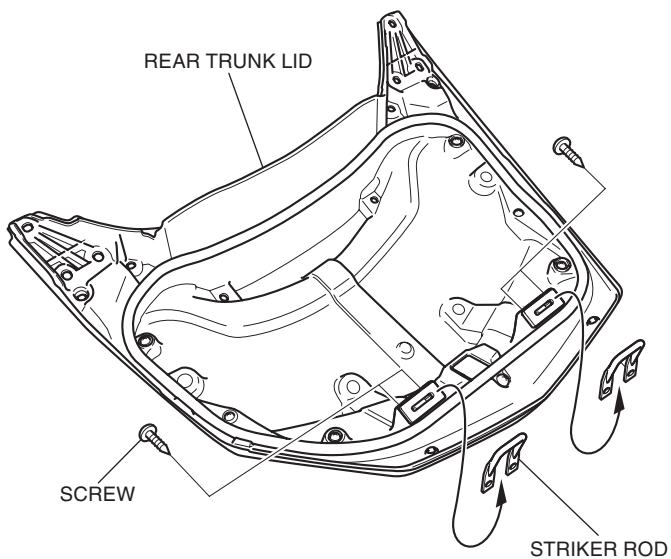


16. Remove the dummy connector as shown.

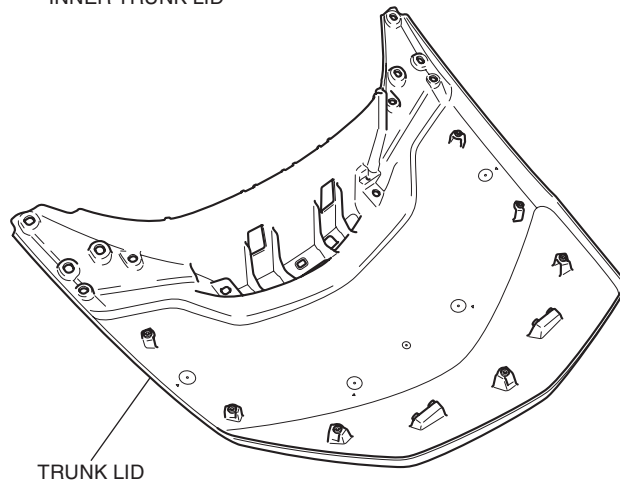
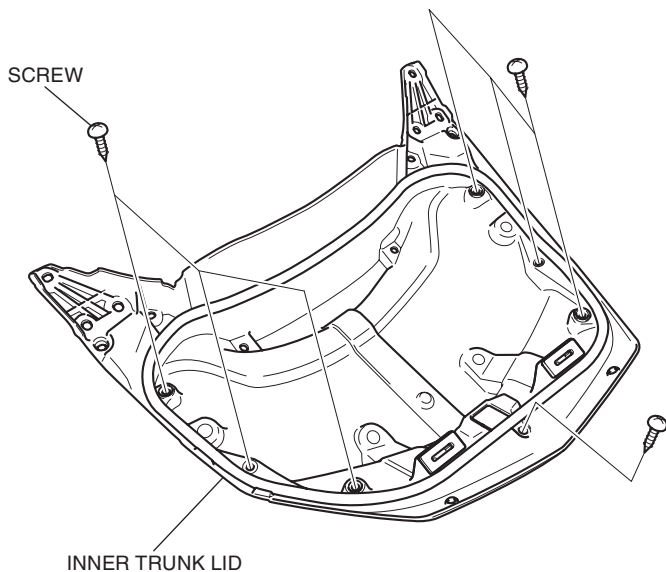
<Right side>



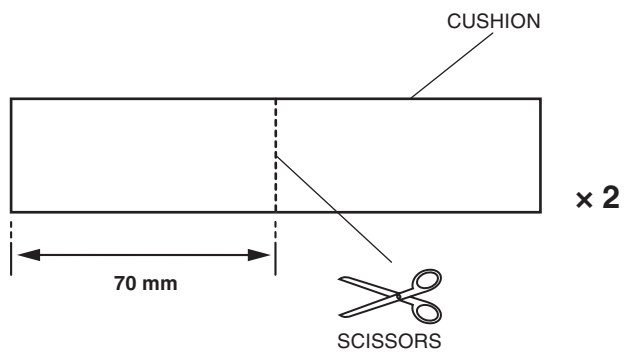
17. Remove the striker rods as shown.



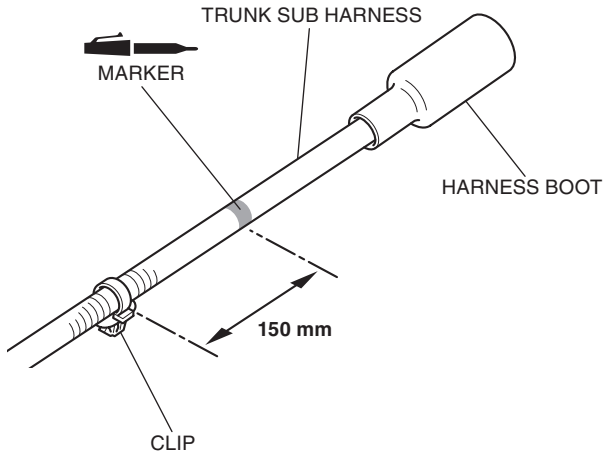
18. Remove the inner trunk lid as shown.



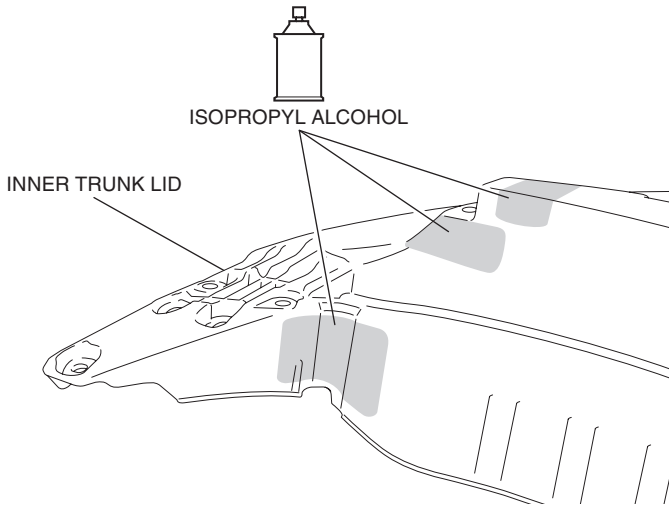
19. Cut the cushion to the dimensions shown.



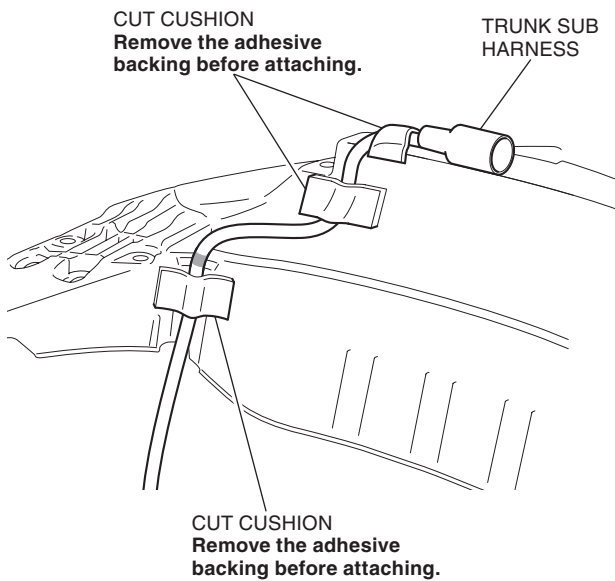
20. Mark the trunk sub harness in the position as shown.



21. Clean the surface of the area shown using an isopropyl alcohol.

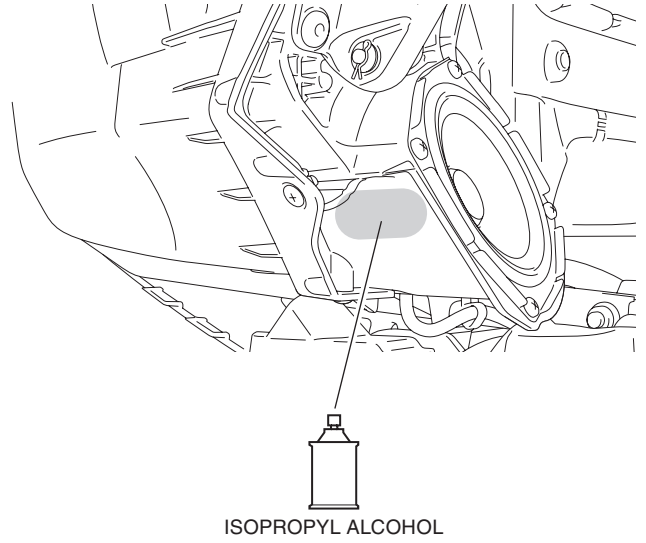


22. Secure the trunk sub harness with the cut cushions as shown.



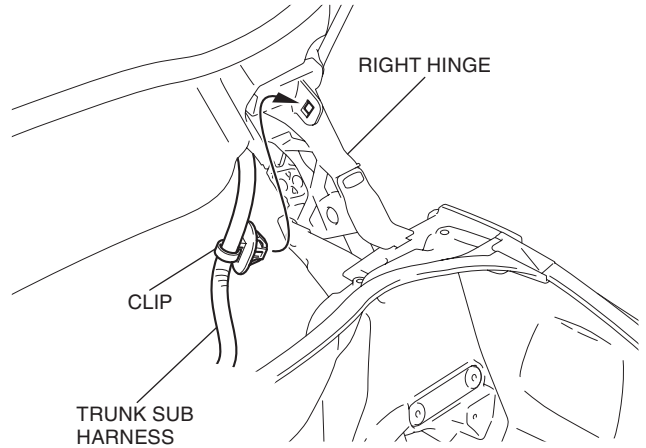
23. Clean the surface of the area shown using an isopropyl alcohol.

<Right side>

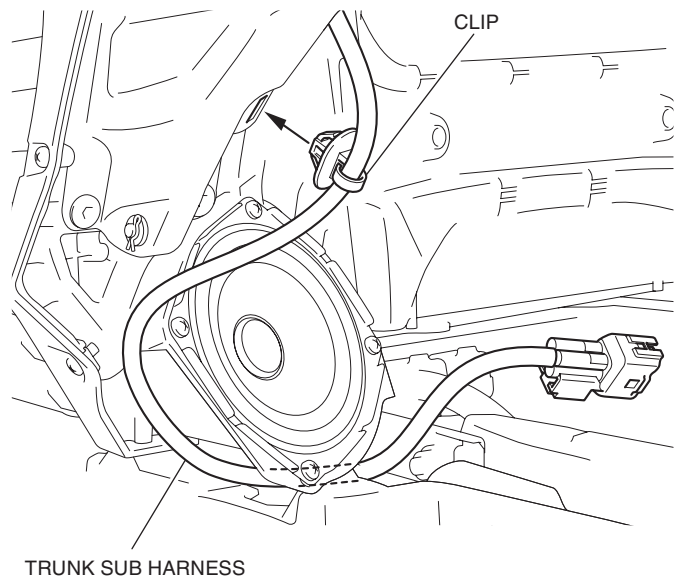


24. Secure the trunk sub harness as shown.

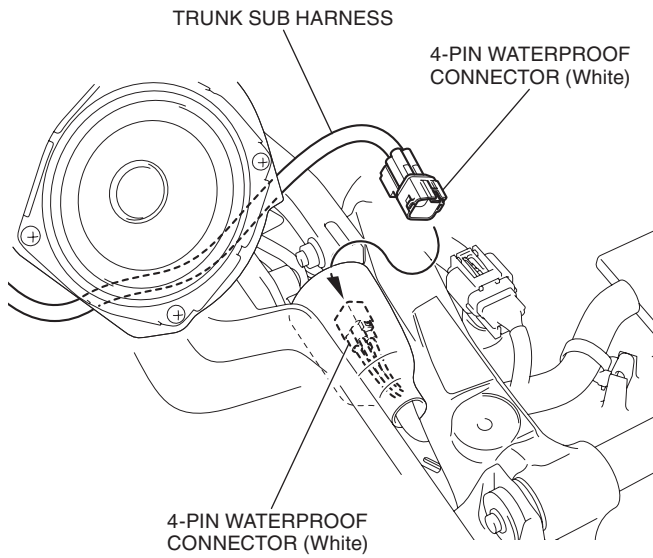
<Right side>



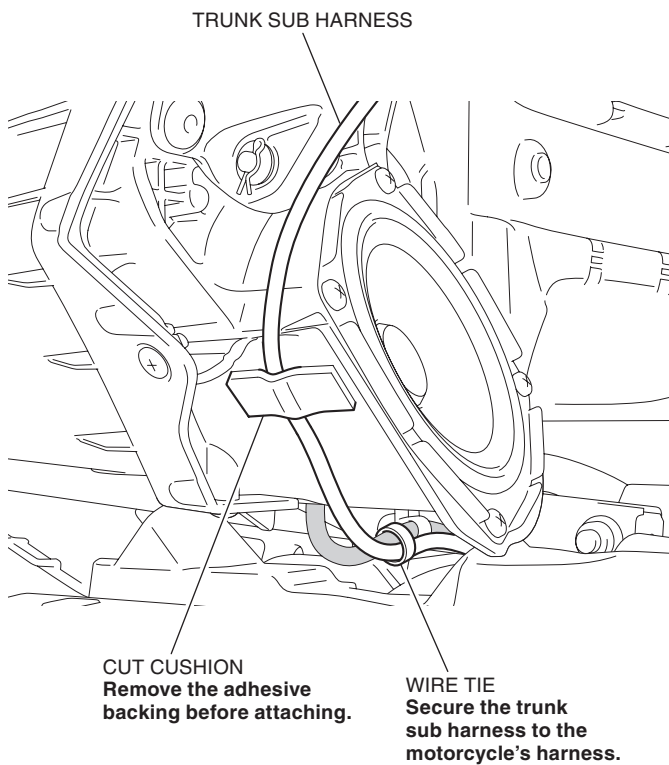
25. Route and secure the trunk sub harness as shown.



26. Route and connect the trunk sub harness as shown.



27. Secure the trunk harness as shown.



28. Install the motorcycle's parts in the reverse order of removal.

- **Confirm that any wire harness is not caught or too tight.**

29. Check the trunk inner lamp, high mount stop light, head light and other light for proper operation.