



# INSTALLATION INSTRUCTIONS

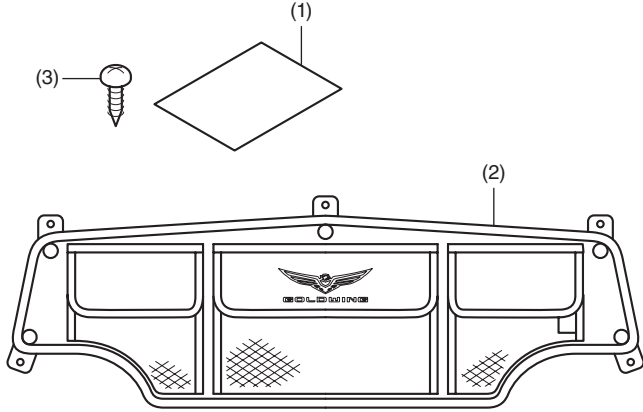
Accessory  
**TRUNK LID ORGANIZER**  
 P/N 08L78-MKC-A00

Application  
**GL1800/B/BD/D/DA**

Publication No.  
**MII**  
 Issue Date  
**September 2017**

**Honda Dealer: Please give a copy of these instructions to your customer.**

## PARTS LIST



No.	Description	Qty
(1)	Installation Instructions URL	1
(2)	Trunk lid organizer	1
(3)	5 mm screw	7

## TOOLS REQUIRED

- Phillips ® screwdriver
- Torque wrench

## TORQUE CHART

Tighten all screws, bolts, and nuts to their specified torque values. Refer to the Service Manual for the torque values of the removed parts.

Item	N·m	kgf·m	lbf·ft
5 mm screw	4.2	0.4	3.1

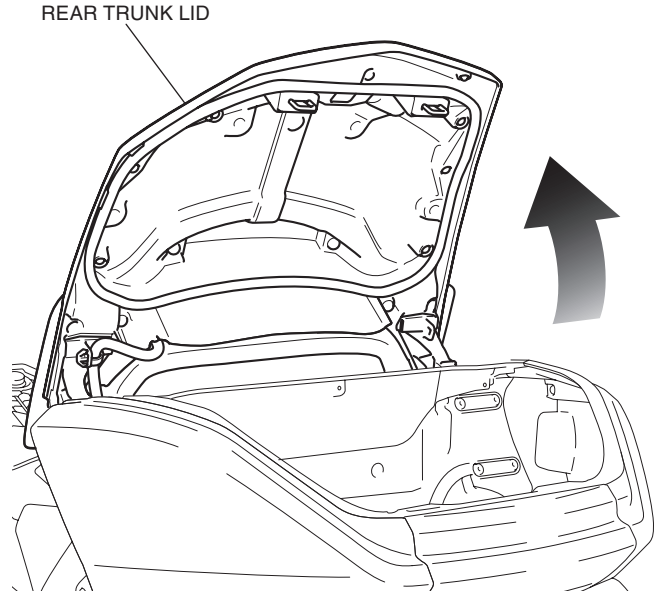
## MAXIMUM LOADING CAPACITY

- The weight of the cargo must not exceed the following maximum loading capacity:

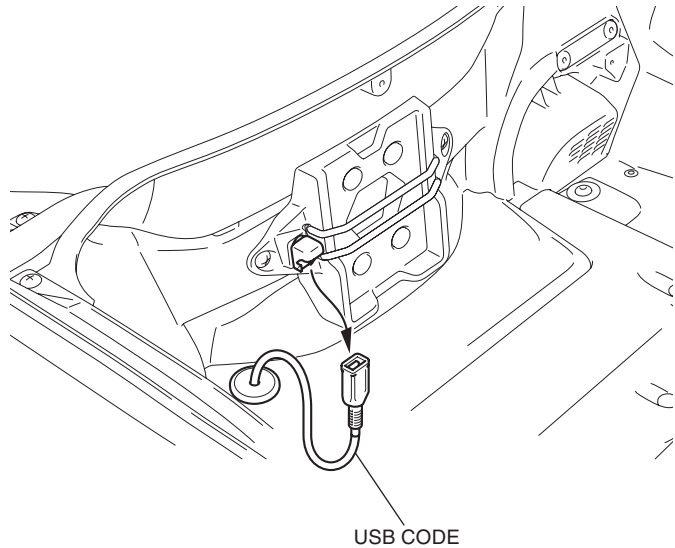
Maximum Loading Capacity	
Trunk lid organizer	1.0 lb (0.45 kg)

## INSTALLATION

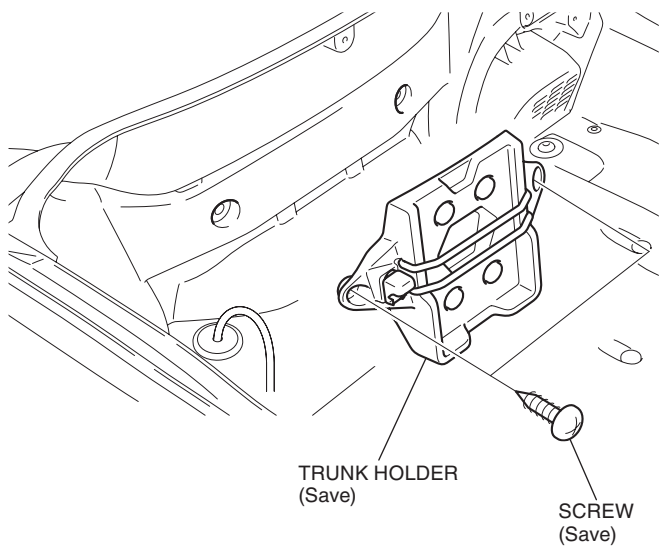
- Open the rear trunk lid as shown.



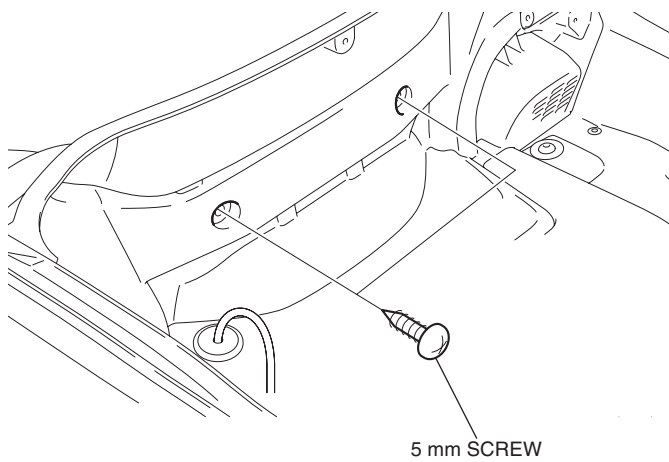
- Remove the USB code as shown.
  - Perform this step on GL1800DA only.



3. Remove the trunk holder as shown.
- **Perform this step on GL1800DA only.**



4. Install the 5mm screws as shown.
- **Perform this step on GL1800DA only.**



5. Install the trunk lid organizer as shown.

