



INSTALLATION INSTRUCTIONS

Accessory

CUSTOM SEAT
P/N 08R76-MKC-A00

Application

GL1800/B/BD/D/DA

Publication No.

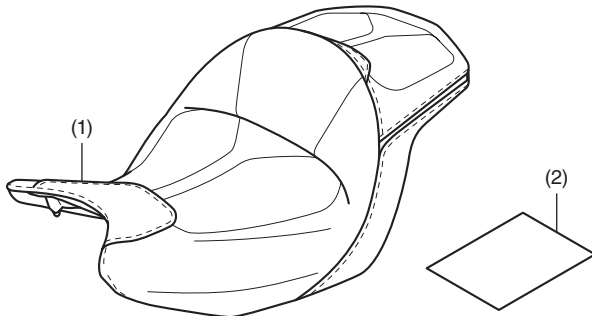
MII

Issue Date

July 2017

Honda Dealer: Please give a copy of these instructions to your customer.

PARTS LIST



No.	Description	Qty
(1)	Double heated seat	1
(2)	Installation Instructions URL	1

TORQUE CHART

Refer to the Service Manual for the torque values of the removed parts.

INSTALLATION

▲ CAUTION

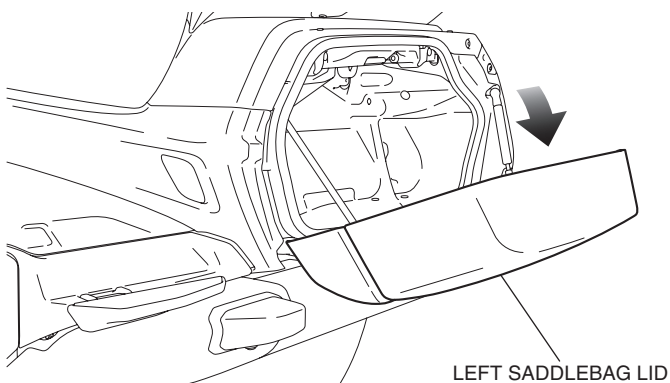
- To prevent burns, allow the engine, exhaust system, radiator, etc., to cool before installing the accessory.

NOTE:

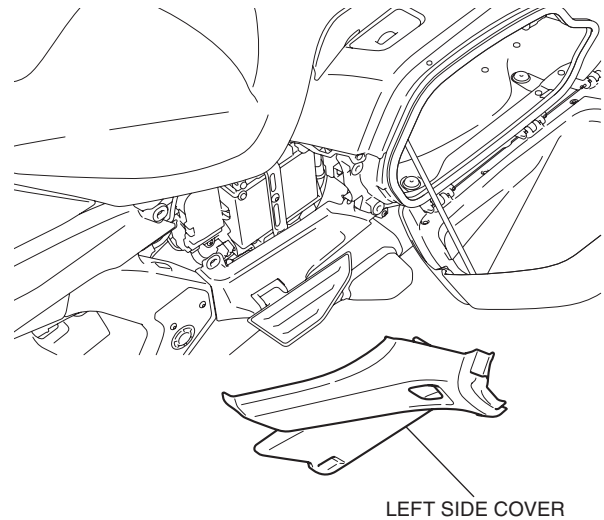
- Disconnect the negative (-) cable from the battery before installing this accessory.
- The memories of the clock will be erased when you disconnect the battery. Reset the memories after reconnecting the battery.
- Reinstall the removed parts on the motorcycle and make sure that the wires and harnesses are not pinched.

- Open the left saddlebag lid as shown.
 - Repeat on the right side.

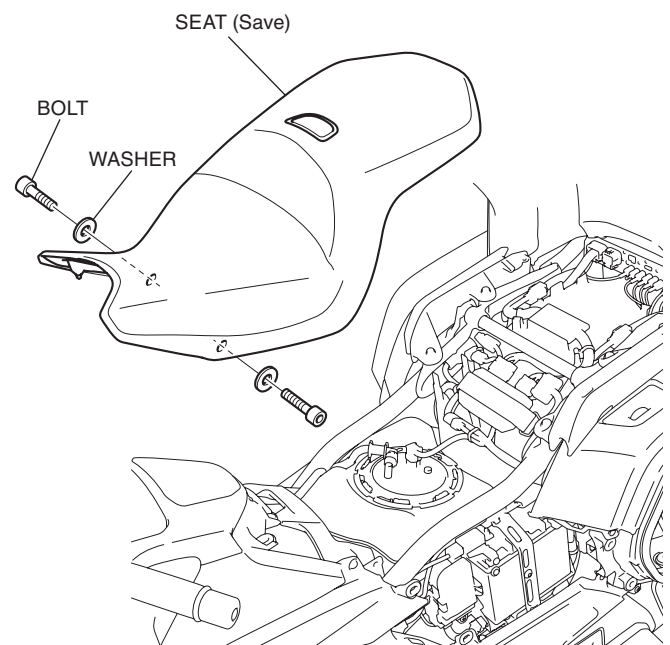
<Left side>



- Remove the left side cover as shown, and disconnect the negative (-) cable of the battery.



- Remove the right side cover in the same manner as the left side.
- Remove the seat as shown.
 - Disconnect the connector for GL1800/D/DA.



- Install the double heated seat in the reverse order of removal.
- Install the motorcycle's parts in the reverse order of removal.
 - Confirm that any wire harness is not caught or too tight.