



INSTALLATION INSTRUCTIONS

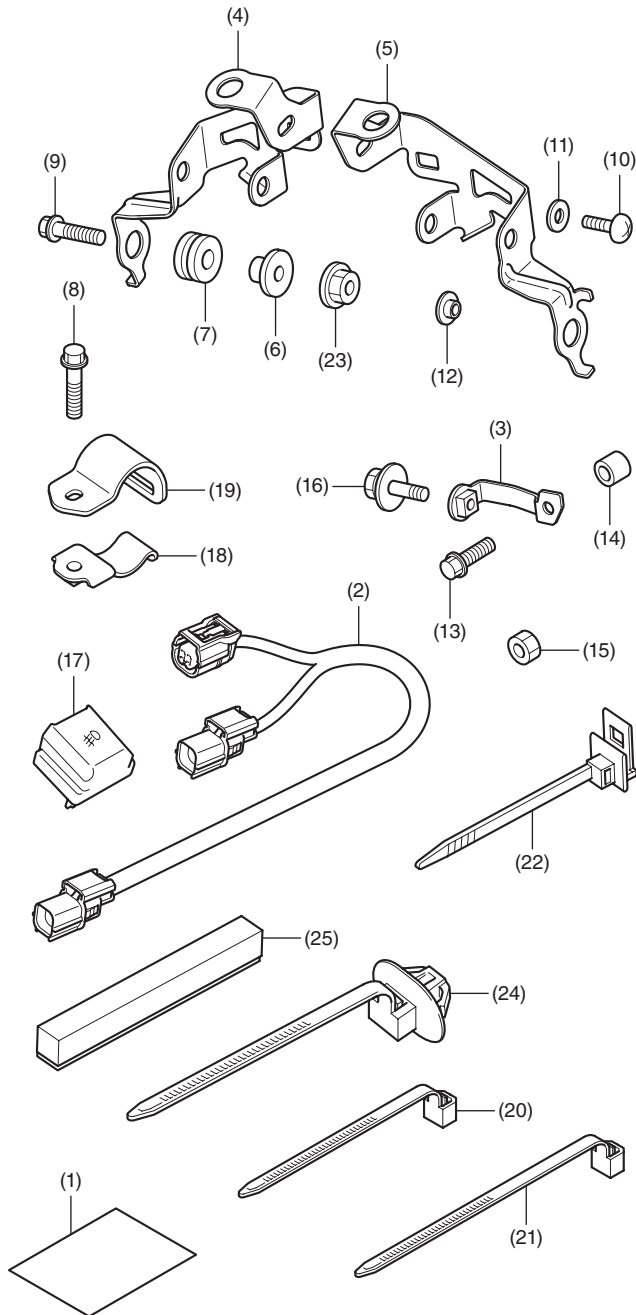
Accessory
FRONT LED FOG LAMP ATTACHMENT
 P/N 08V70-MKC-A00

Application
GL1800/B/BD/D/DA

Publication No.
MII
 Issue Date
September 2017

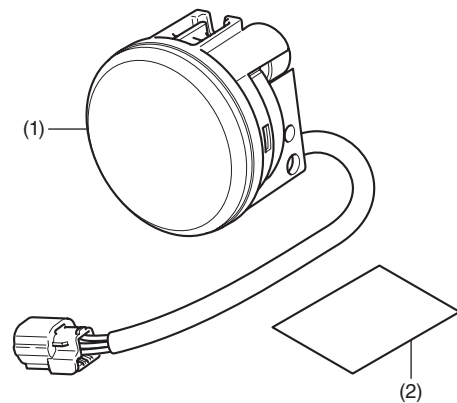
Honda Dealer: Please give a copy of these instructions to your customer.

PARTS LIST



No.	Description	Qty
(1)	Installation instructions URL	1
(2)	Sub harness	1
(3)	Fog lamp adjust	2
(4)	Right stay	1
(5)	Left stay	1
(6)	Flange collar (large)	4
(7)	Grommet	4
(8)	6 mm SH flange bolt (long)	2
(9)	6 mm SH flange bolt (middle)	2
(10)	6 mm screw	4
(11)	Washer	4
(12)	Flange collar (small)	4
(13)	6 mm SH flange bolt (short)	2
(14)	Collar	2
(15)	6 mm nut	2
(16)	6 mm bolt washer	2
(17)	Fog lamp switch	1
(18)	Pipe band A	2
(19)	Pipe band B	2
(20)	Wire tie (short)	3
(21)	Wire tie (long)	2
(22)	Holder clip	2
(23)	6 mm flange nut	2
(24)	Clip	2
(25)	Cushion	2

FRONT LED FOG LAMP Sold separately



No.	Description	Qty
(1)	Front LED fog lamp	2
(2)	Installation instructions URL	1

TOOLS AND SUPPLIES REQUIRED

Socket (8 and 10 mm)

Ratchet

Phillips ® screwdriver

Nippers

Marker

Scale

File

Isopropyl alcohol

Shop towel

Torque wrench

TORQUE CHART

Tighten all screws, bolts, and nuts to their specified torque values. Refer to the Service Manual for the torque values of the removed parts.

Item	N·m	kgf·m	lbf·ft
6 mm screw	9	0.9	6.6
6 mm bolt washer	10	1.0	7
6 mm SH flange bolt	10	1.0	7
6 mm flange nut	12	1.2	9

INSTALLATION

▲ CAUTION

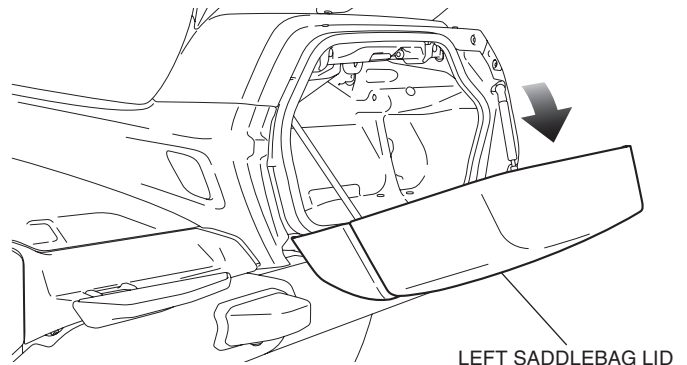
- To prevent burns, allow the engine, exhaust system, radiator, etc., to cool before installing the accessory.

NOTE:

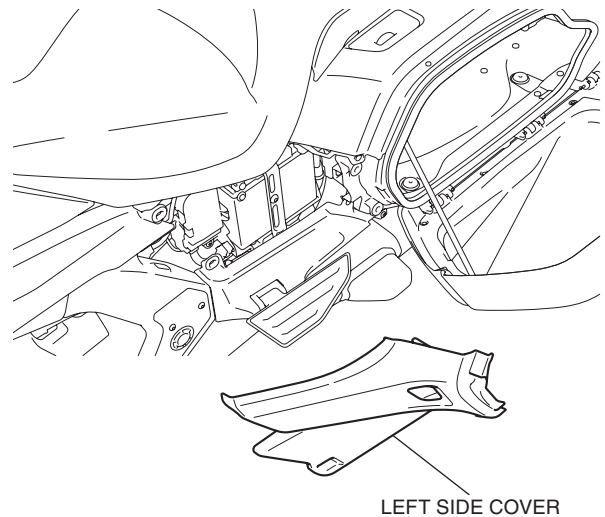
- Heat the bonding surfaces with a hair dryer if the ambient air temperature is below 70°F (21°C).
- The adhesive reaches full strength in 72 hours. Wait at least 24 hours before riding your motorcycle.
- Disconnect the negative (-) cable from the battery before installing this accessory.
- The memories of the clock will be erased when you disconnect the battery. Reset the memories after reconnecting the battery.
- Reinstall the removed parts on the motorcycle and make sure that the wires and harnesses are not pinched.
- Trim the excess ends off the wire ties after attaching them to the wire harnesses. Do not allow the cut part of the wire tie to interfere with another harness or brake hose.

1. Open the left saddlebag lid as shown.
 - Repeat on the right side.

<Left side>

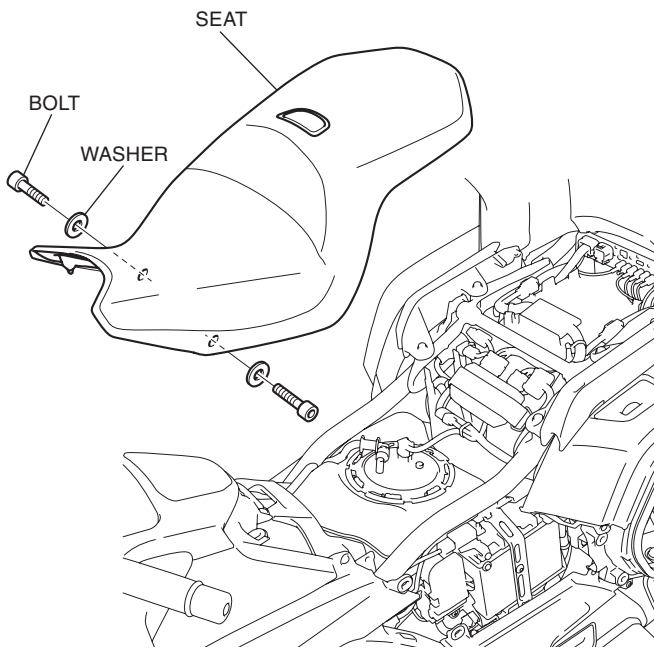


2. Remove the left side cover as shown, and disconnect the negative (-) cable of the battery.



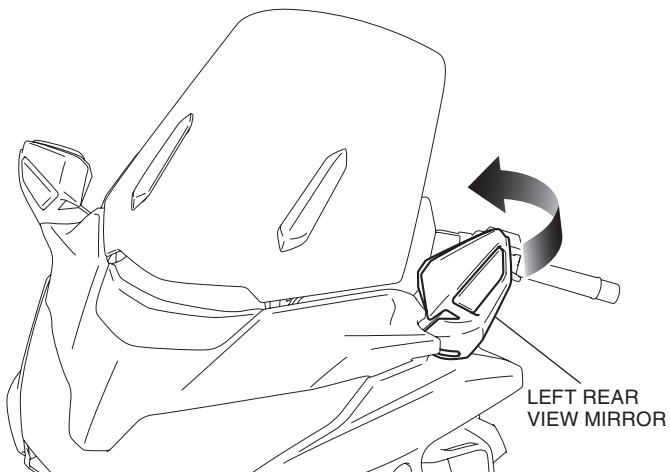
3. Remove the right side cover in the same manner as the left side.

4. Remove the seat as shown.
- **Disconnect the connector for GL1800/D/DA.**



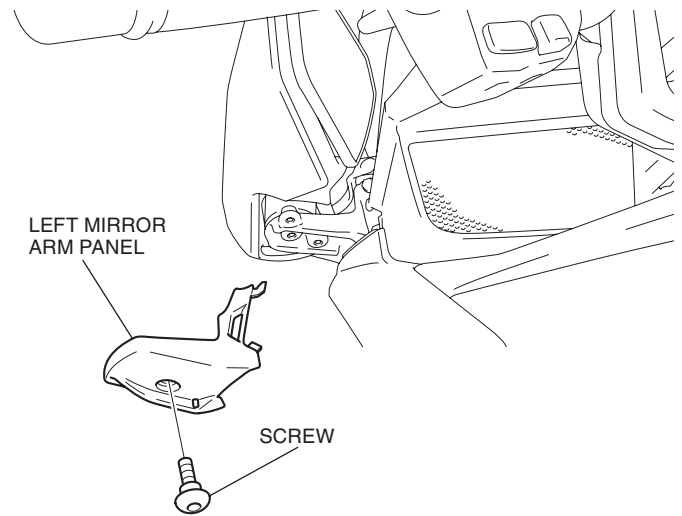
5. Fold down the left rear view mirror backward as shown.

<Left side>



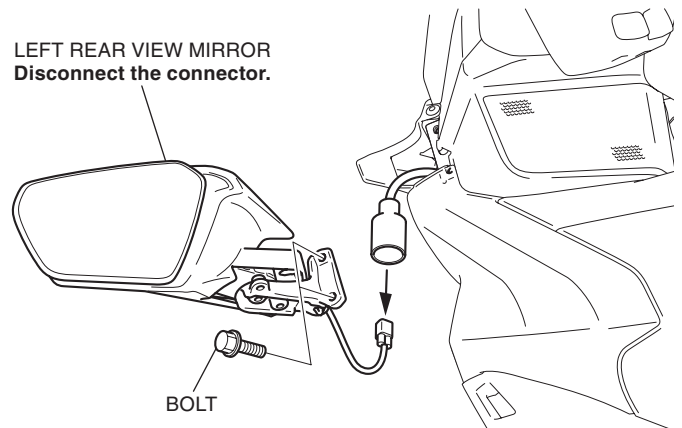
6. Remove the left mirror arm panel as shown.

<Left side>



7. Remove the left rear view mirror as shown.

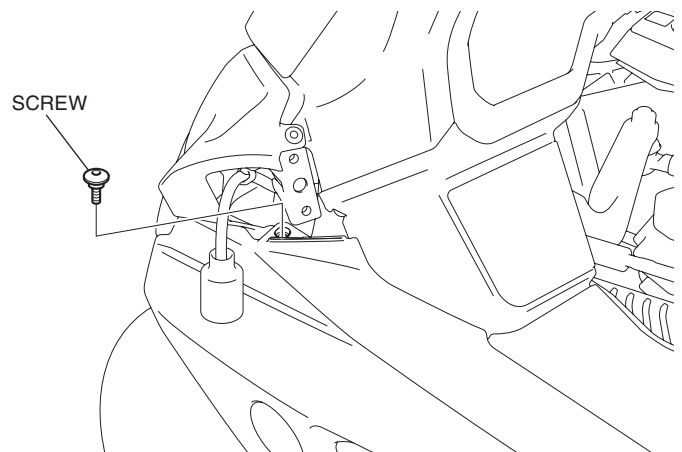
LEFT REAR VIEW MIRROR
Disconnect the connector.



8. Remove the right mirror arm panel and right rear view mirror in the same manner as the left side.

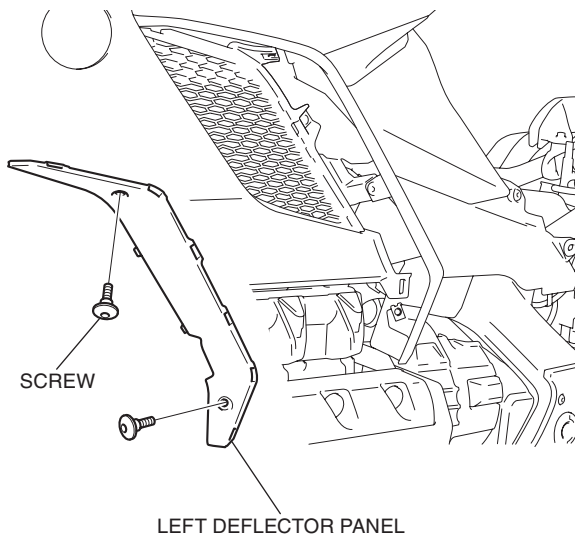
9. Remove the screw as shown.
- **Repeat on the right side.**

<Left side>

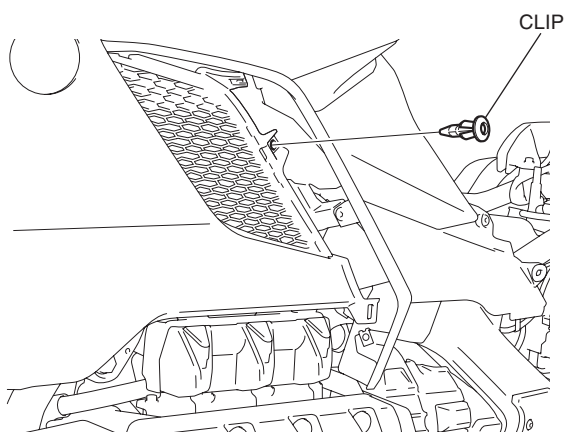


10. Remove the left deflector panel as shown.

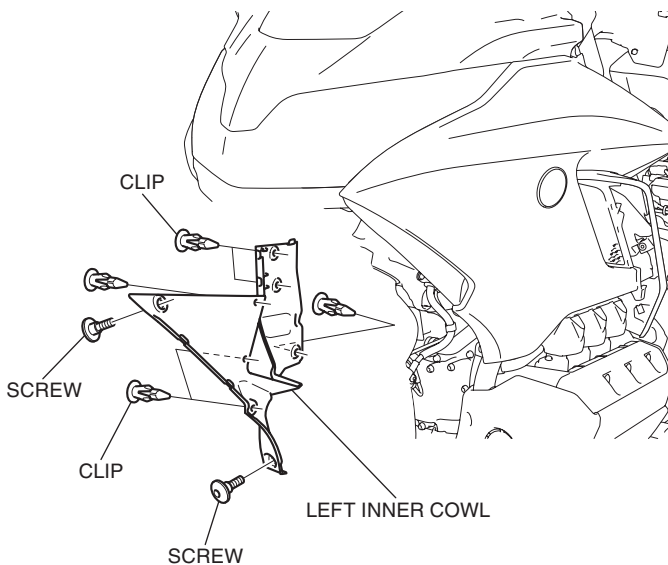
<Left side>



11. Remove the clip as shown.

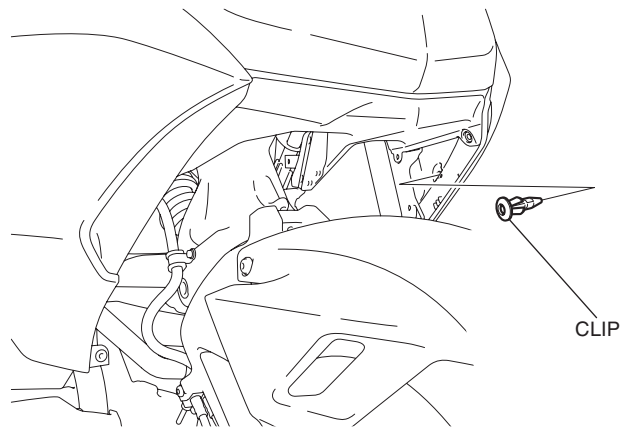


12. Remove the left inner cowl as shown.



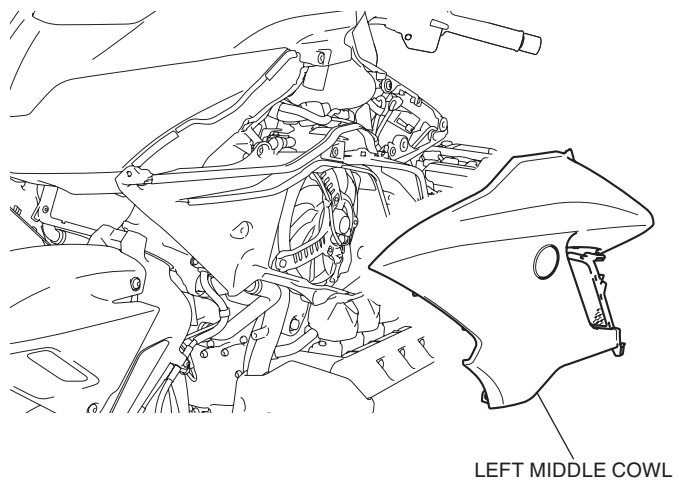
13. Remove the clip as shown.

<Left side>



14. Remove the left middle cowl as shown.

<Left side>

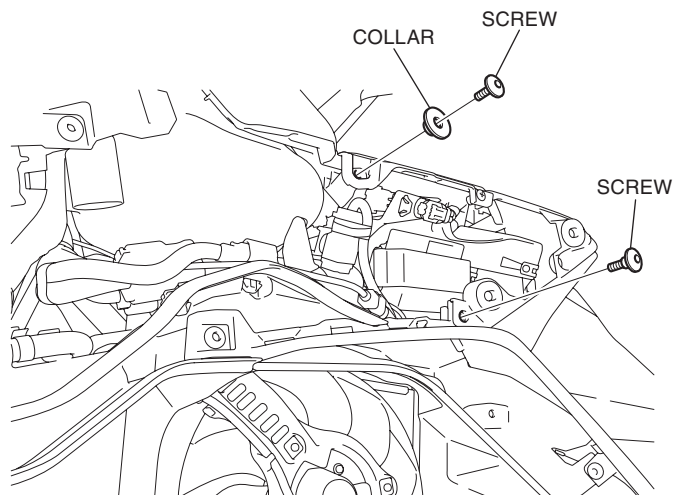


15. Remove the right deflector panel, right inner cowl and right middle cowl in the same manner as the left side.

16. Remove the parts as shown.

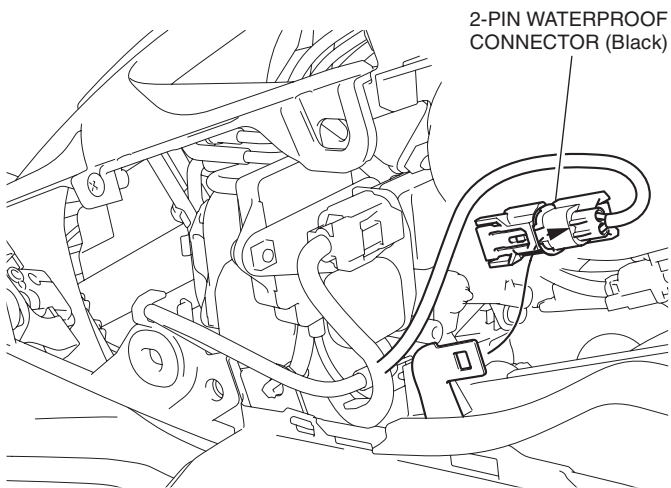
- Repeat on the right side.

<Left side>

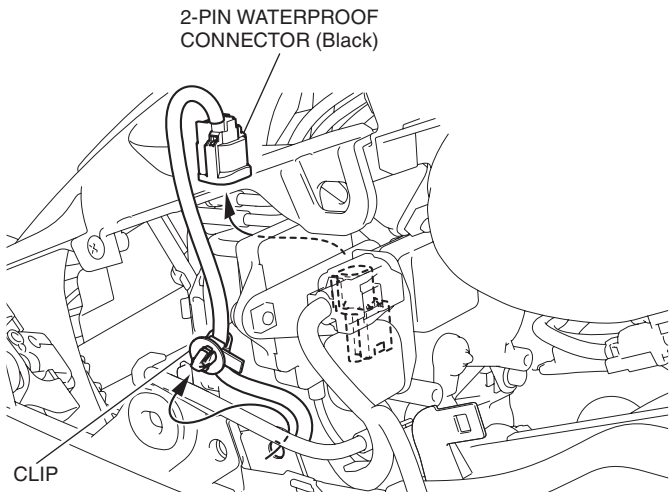


17. Remove the connector as shown.

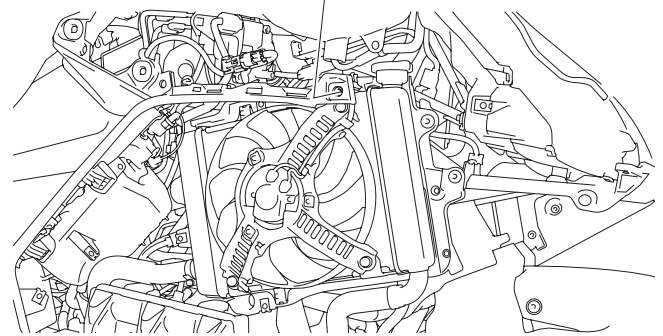
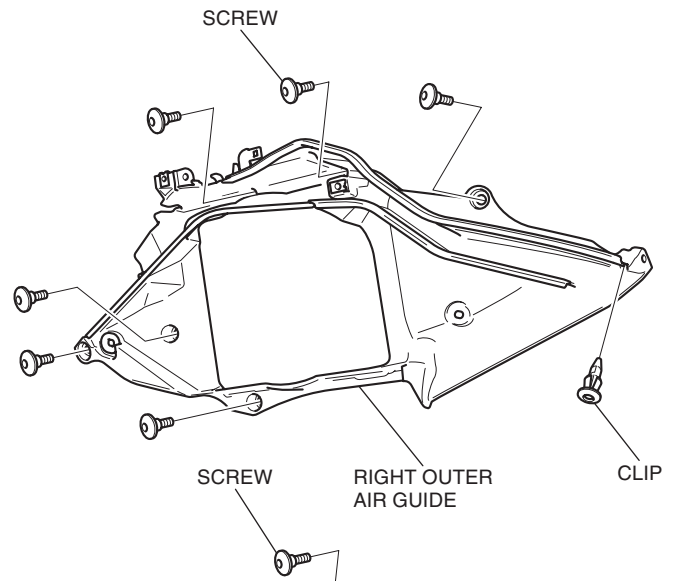
<Right side>



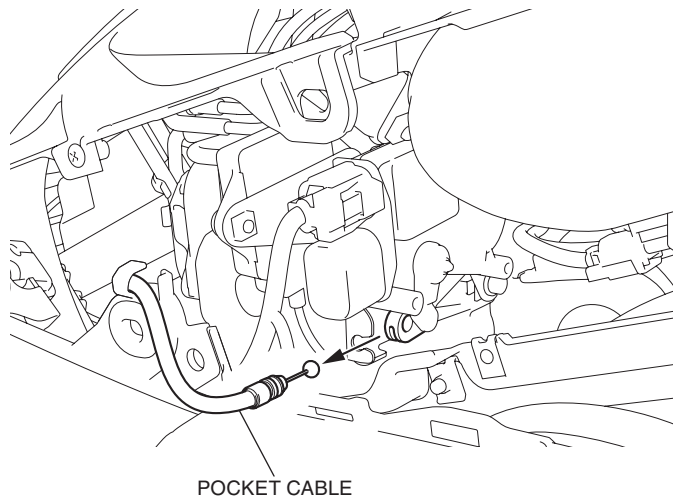
18. Remove the clip and disconnect the connector as shown.



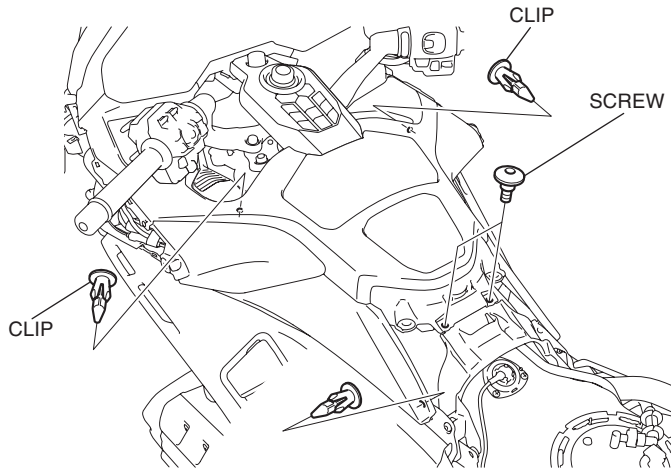
19. Remove the right outer air guide as shown.



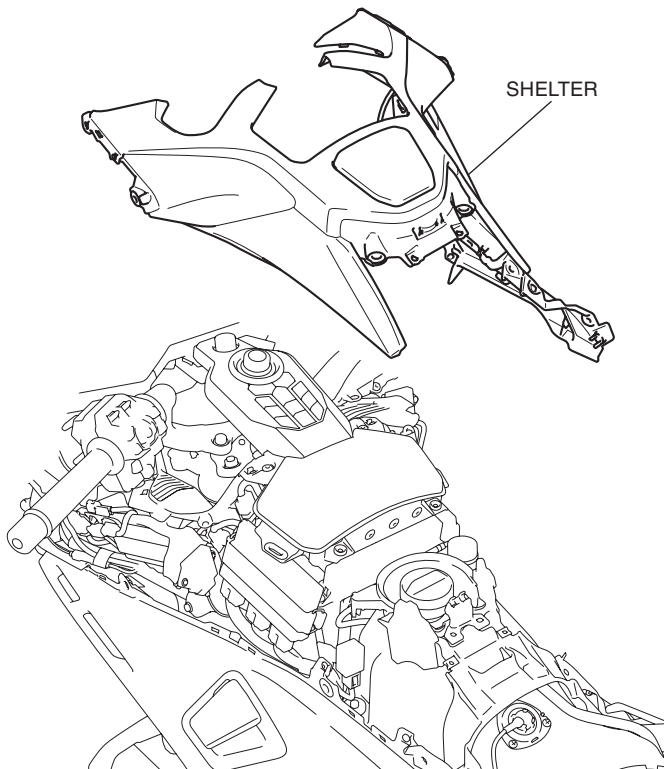
20. Remove the pocket cable as shown.



21. Remove the parts as shown.

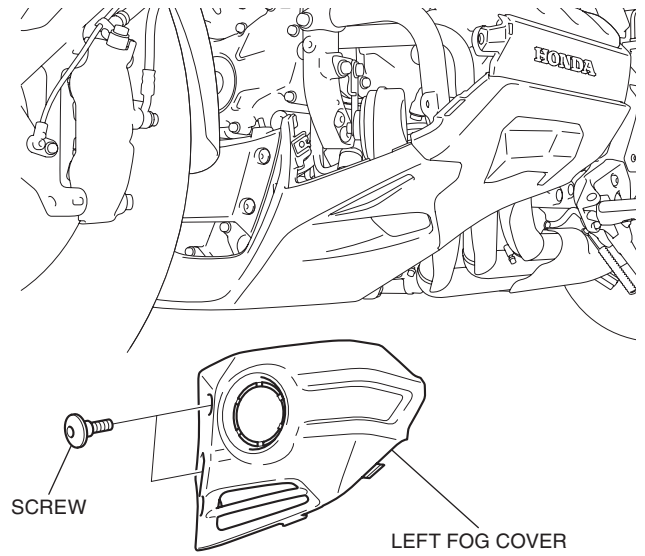


22. Remove the shelter as shown.

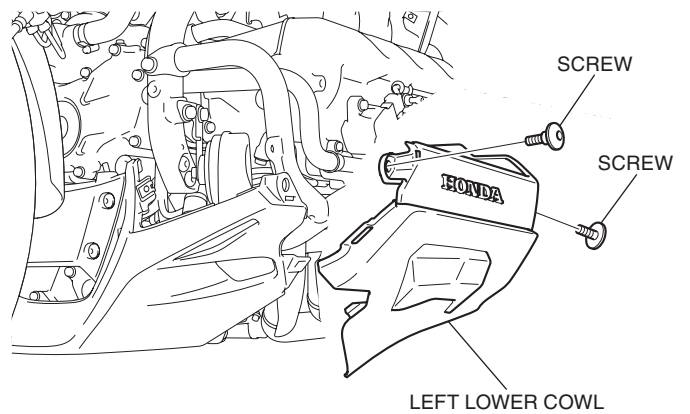


23. Remove the left fog cover as shown.

<Left side>

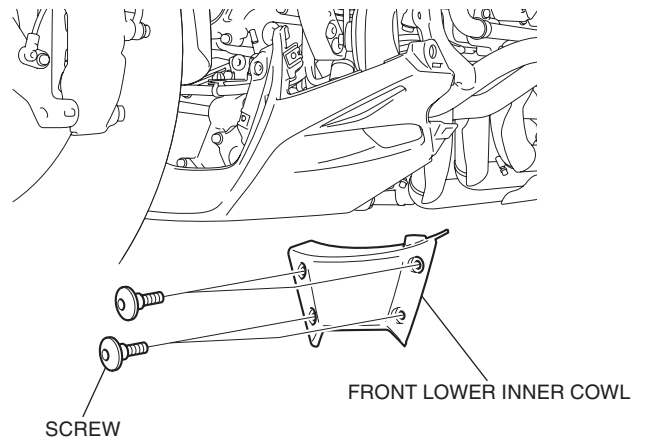


24. Remove the left lower cowl as shown.

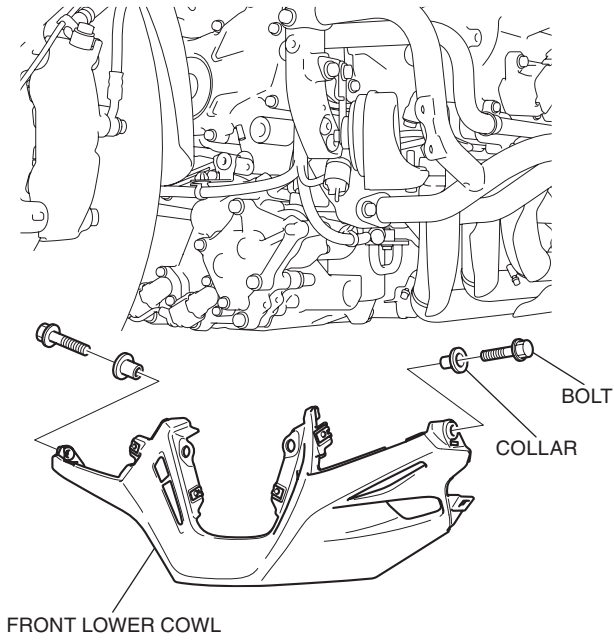



25. Remove right fog cover and right lower cowl in the same manner as the left side.

26. Remove the front lower inner cowl as shown.

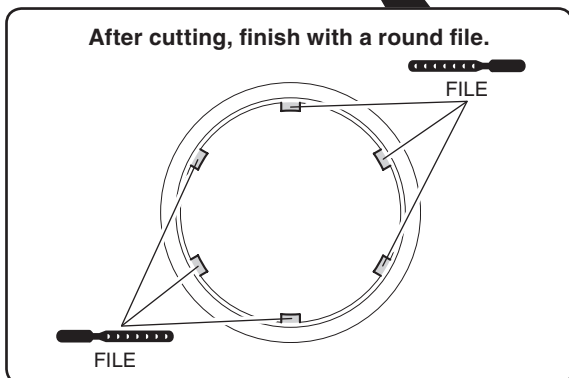
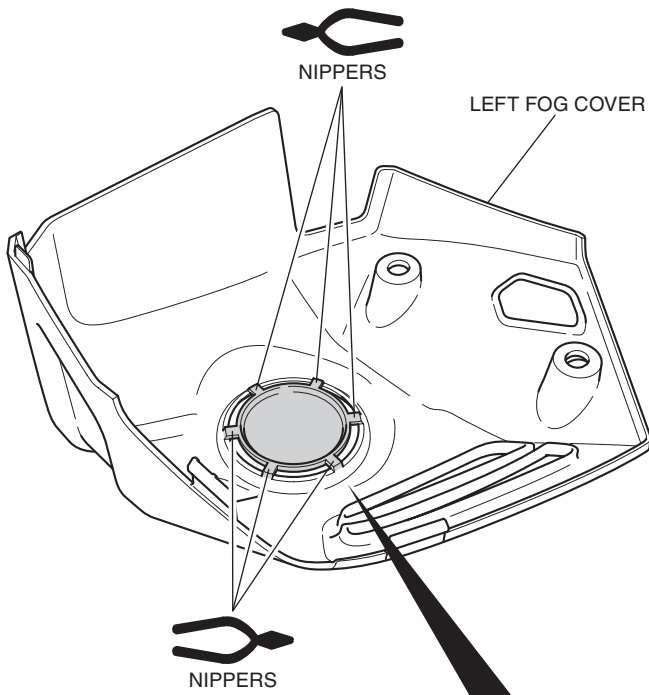


27. Remove the front lower cowl as shown.

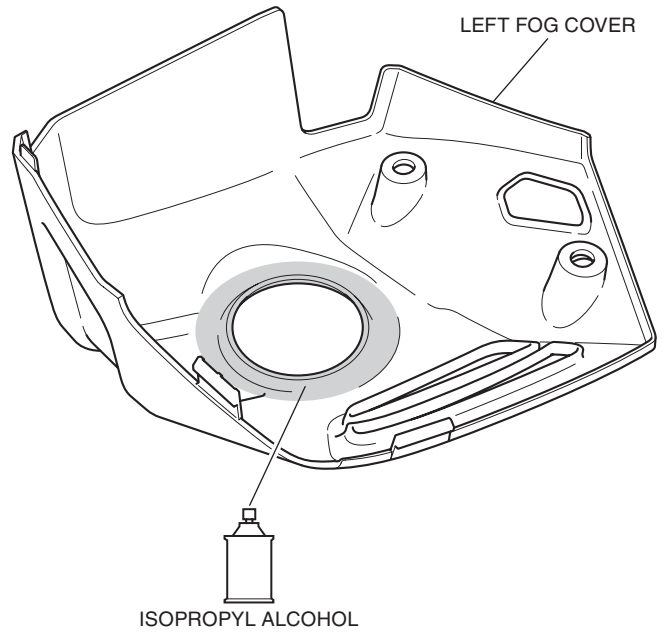


28. Cut out the  parts of left fog cover as shown.

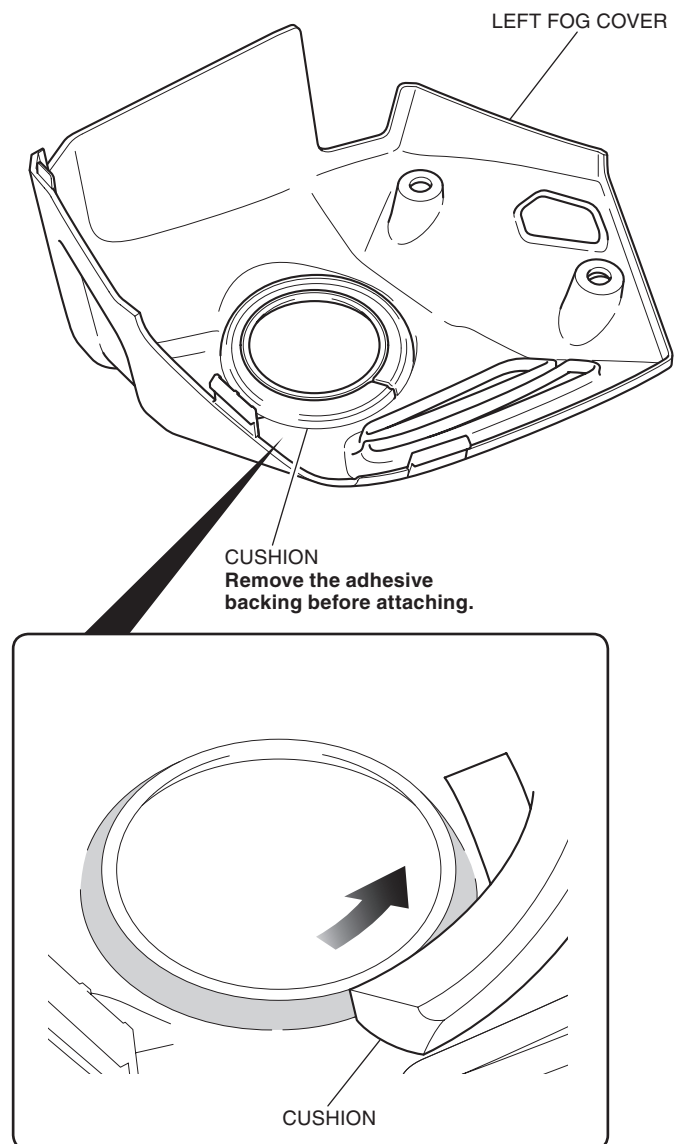
- After cutting, remove any burrs.
- Repeat on the right side.



29. Clean the surface of the area shown using an isopropyl alcohol.

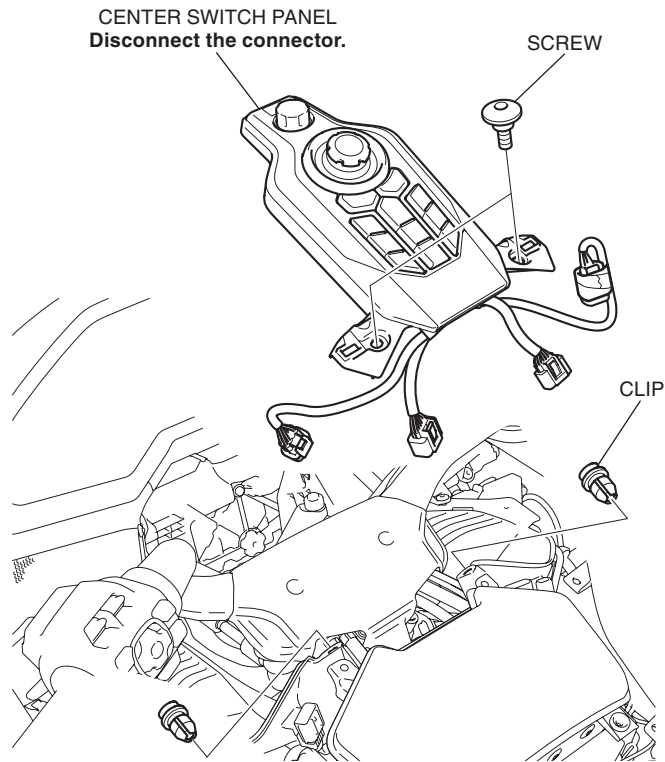


30. Attach the cushion as shown.

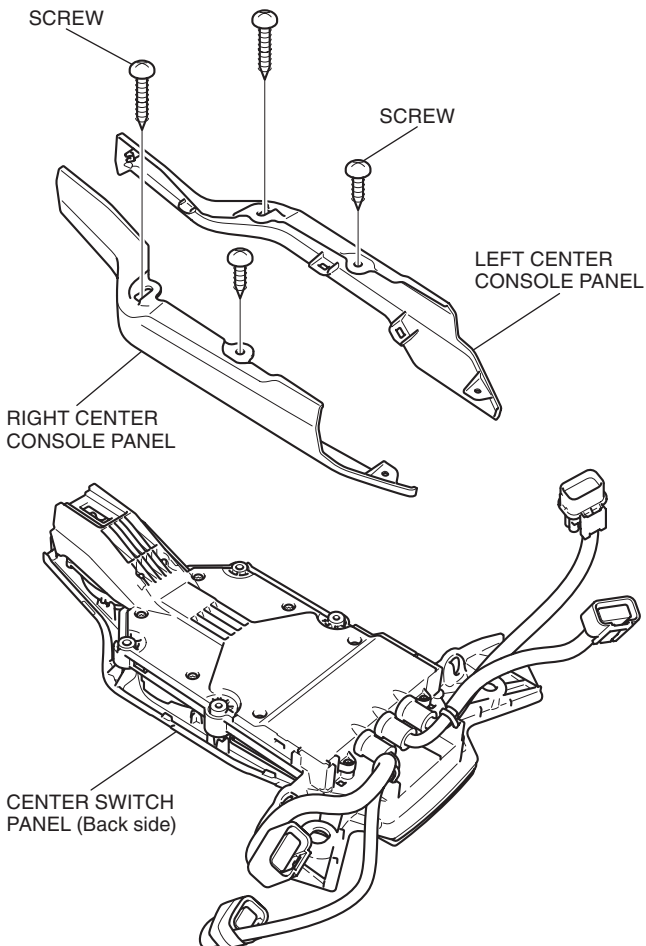


31. Attach the cushion to the right fog cover in the same manner as the left side.

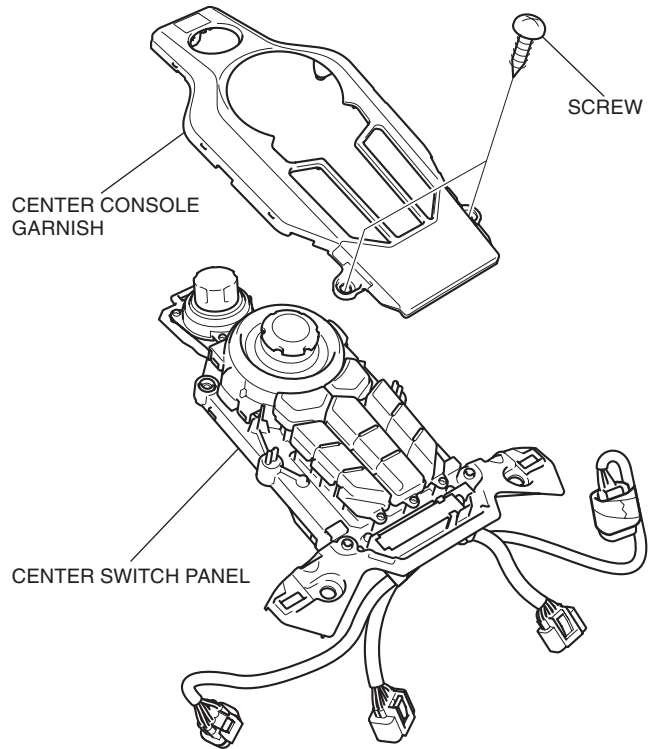
32. Remove the center switch panel as shown.



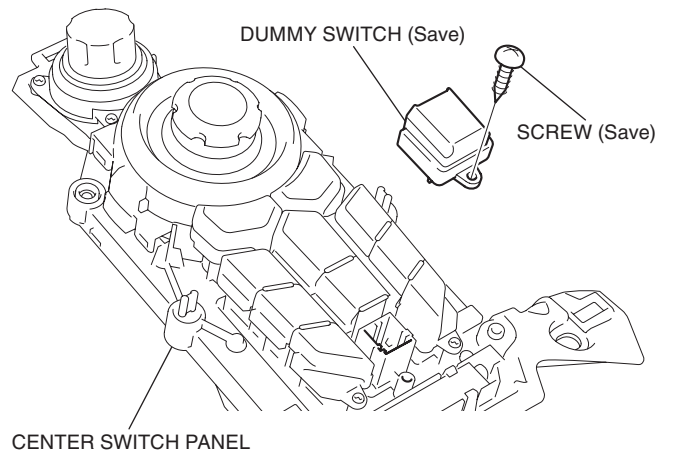
33. Remove the right and left center console panel as shown.



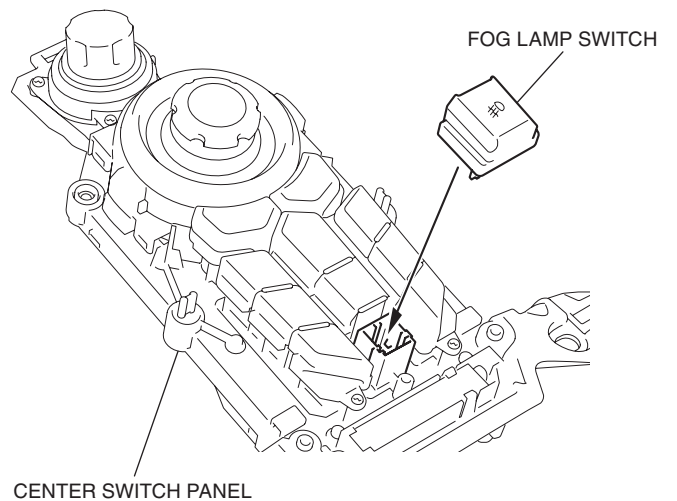
34. Remove the center console garnish as shown.



35. Remove the dummy switch as shown.

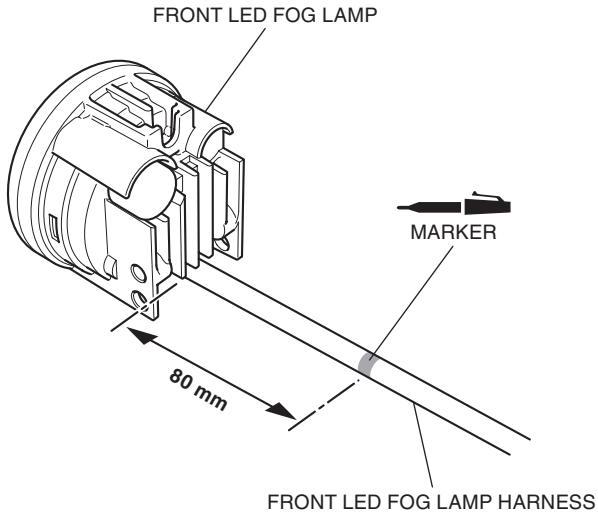


36. Install the fog lamp switch as shown.

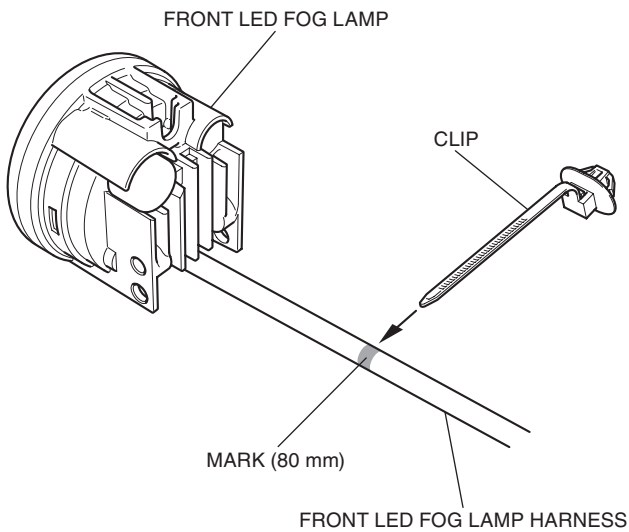


37. Install the center console garnish, right and left center console panel in the reverse order of removal.
38. Install the center switch panel in the reverse order of removal.
39. Mark the front LED fog lamp harness in the position.

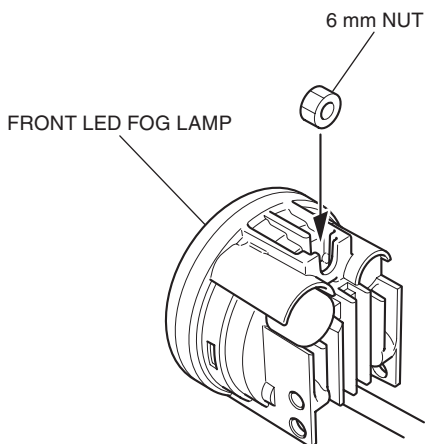
- **Perform this step for both fog lamps.**



40. Install the clip on the marked position as shown.
- **Perform this step for both fog lamps.**

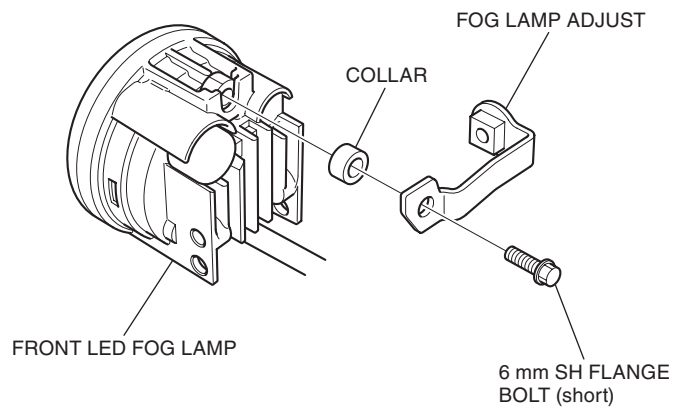


41. Install the 6 mm nut to the front LED fog lamp as shown.

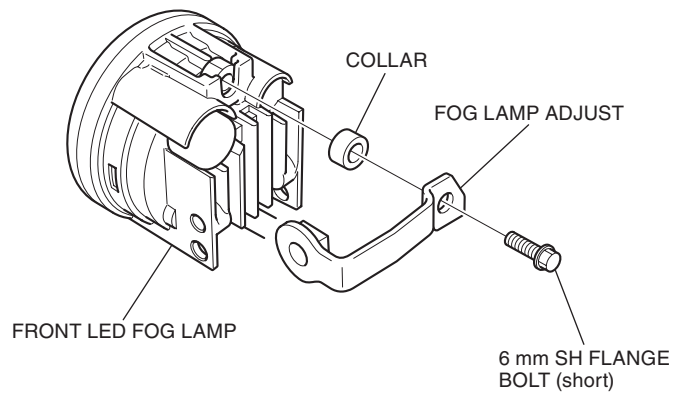


42. Loosely install the fog lamp adjust as shown.

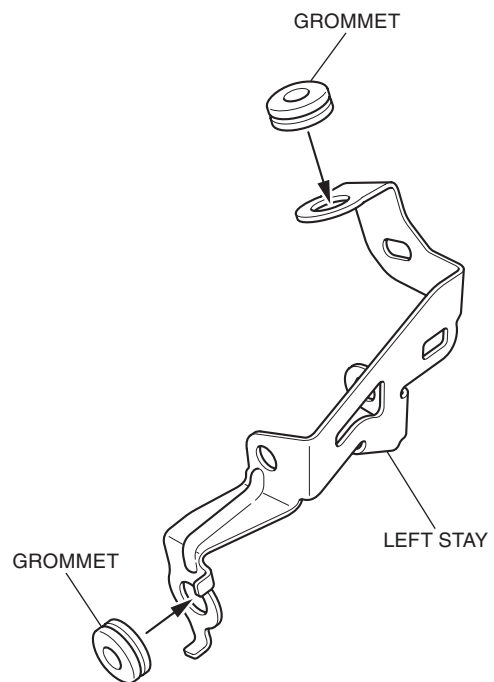
<Left side>



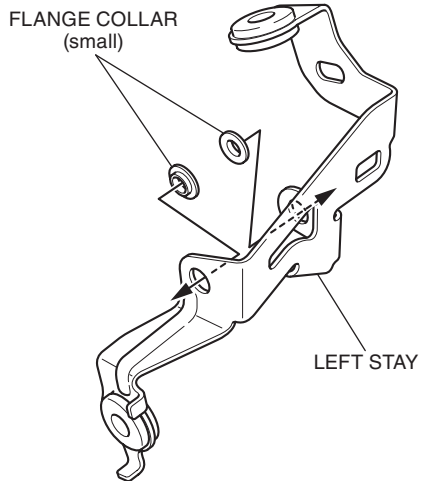
<Right side>



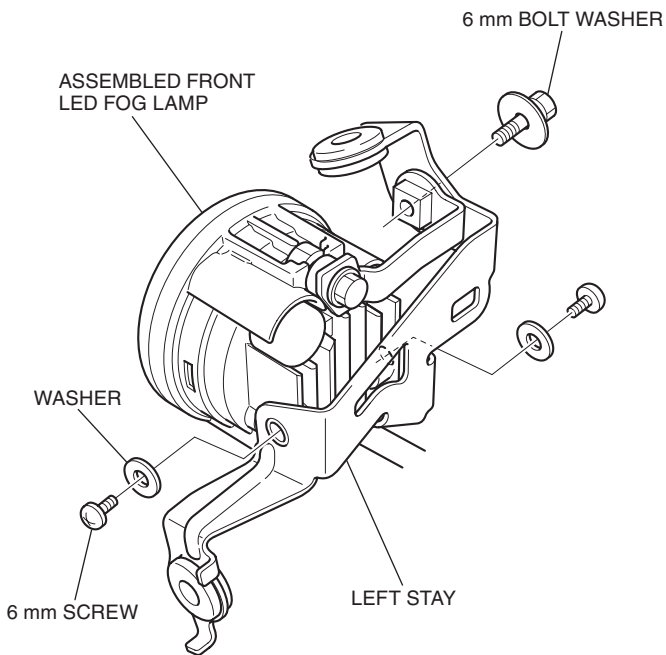
43. Insert the grommets as shown.



44. Install the flange collars to the left stay as shown.

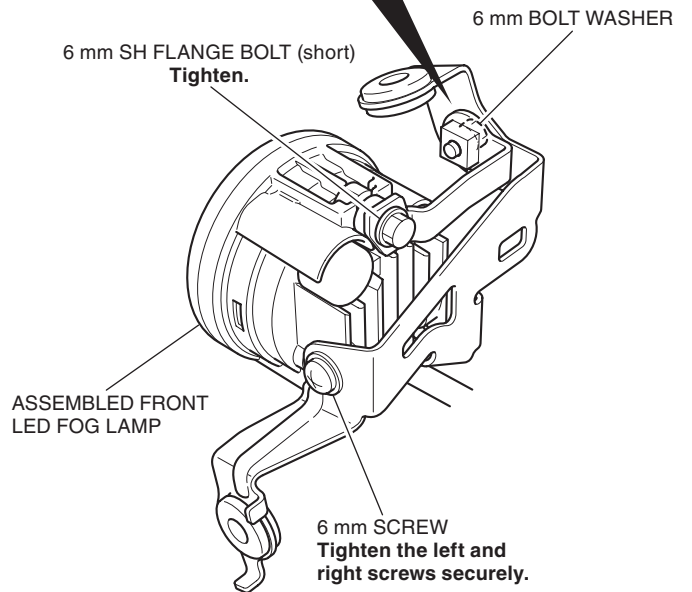
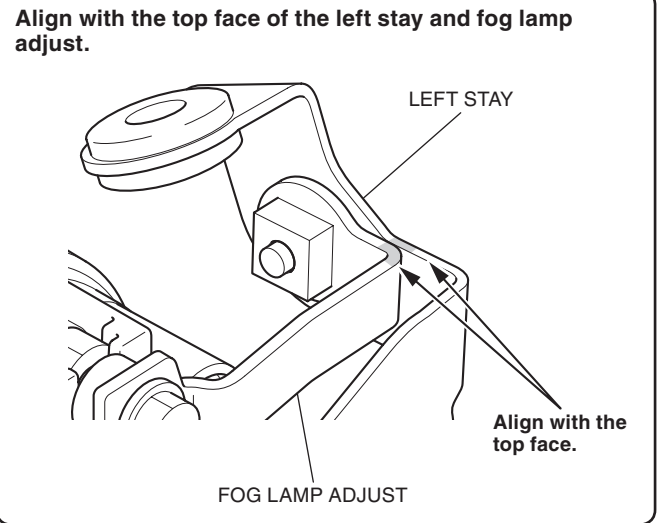


45. Loosely install the assembled left stay to the assembled front LED fog lamp as shown.

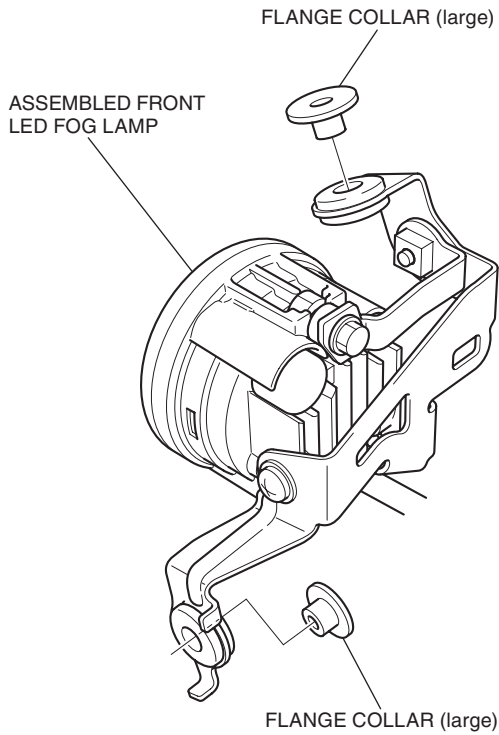


46. Secure the fog lamp adjust and left stay as shown.

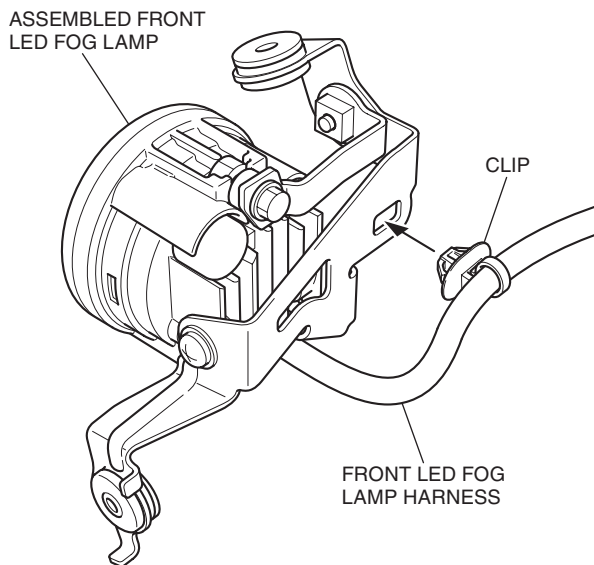
- To adjust the fog lamp aiming, loosen the 6 mm bolt washer and 6 mm screws.



47. Install the flange collars as shown.



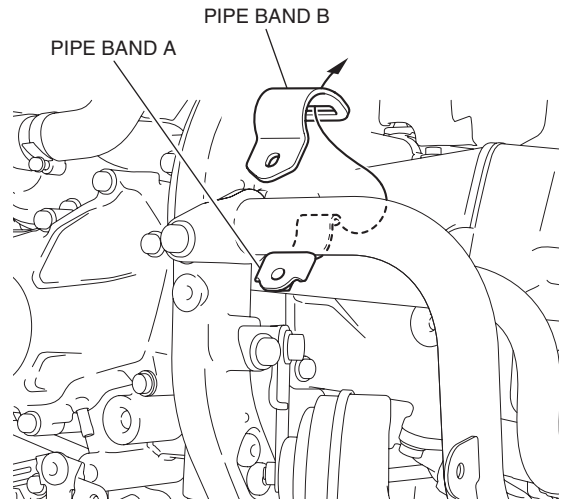
48. Secure the clip as shown.



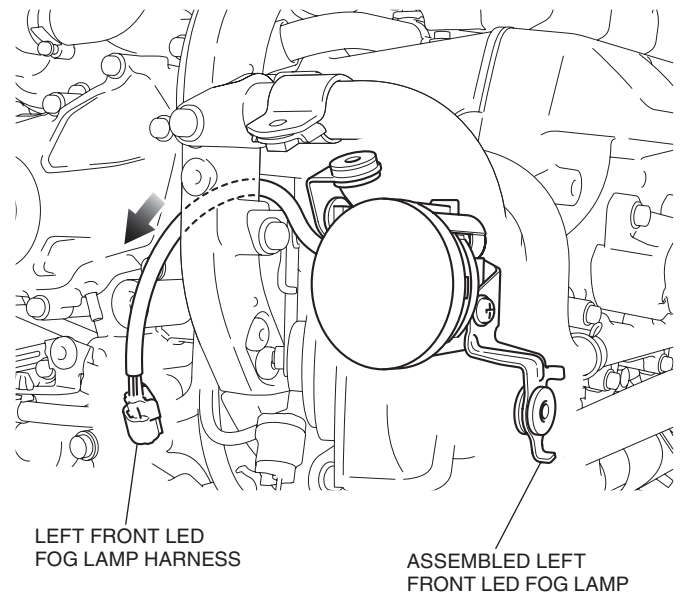
49. Assemble the right front LED fog lamp in the same manner as the left side.

50. Temporarily install the pipe band A and pipe band B as shown.

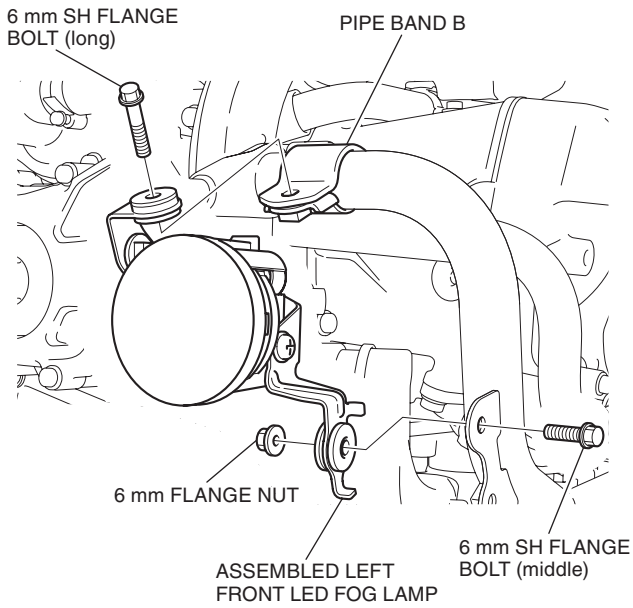
<Left side>



51. Route the left front LED fog lamp harness as shown.

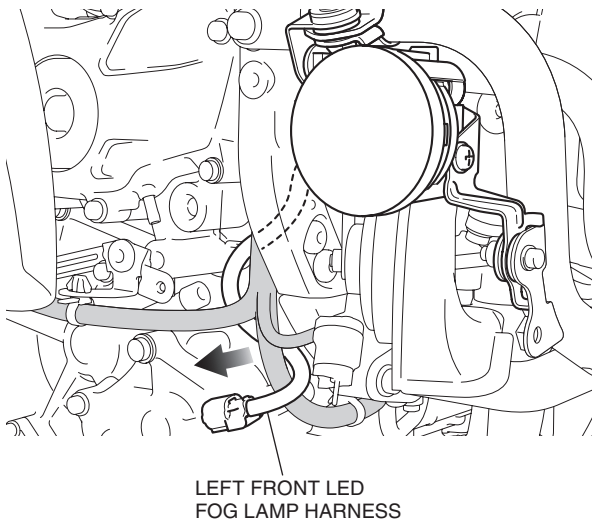


52. Install the assembled left front LED fog lamp as shown.

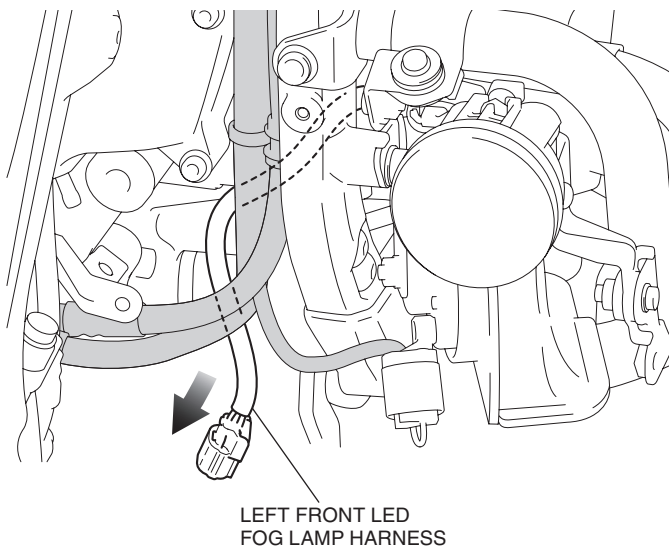


53. Route the left front LED fog lamp harness as shown.

<GL1800BD/D/DA>



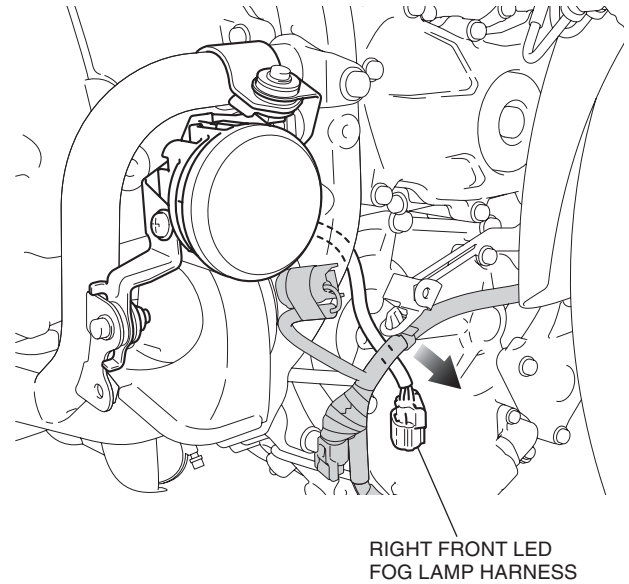
<GL1800/B>



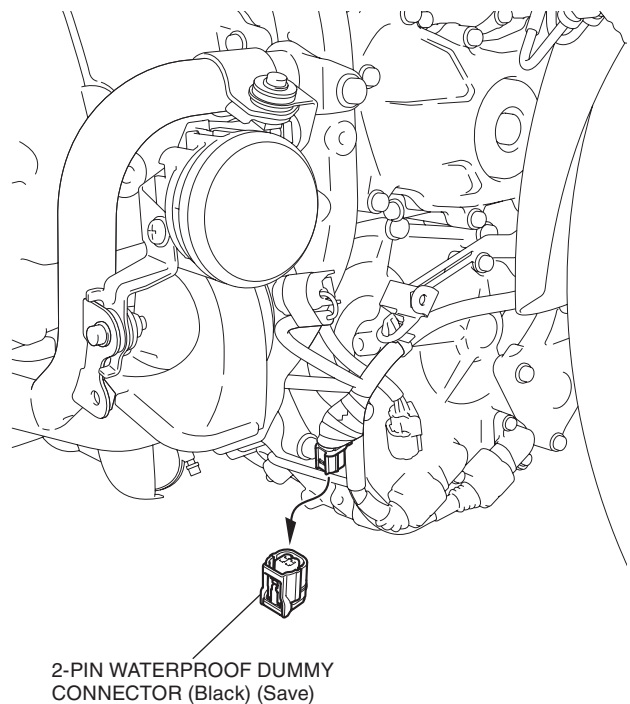
54. Install the pipe band A, pipe band B and assembled right front LED fog lamp in the same manner as the left side.

55. Route the right front LED fog lamp harness as shown.

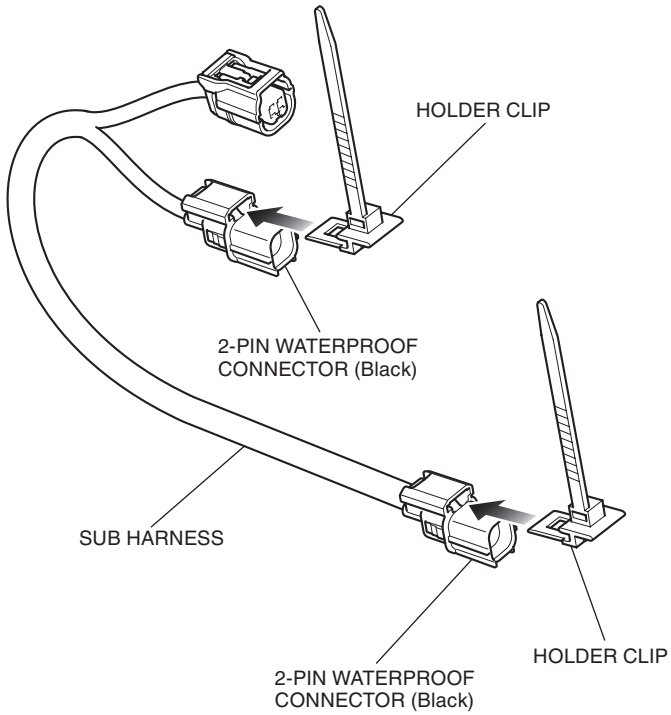
<Right side>



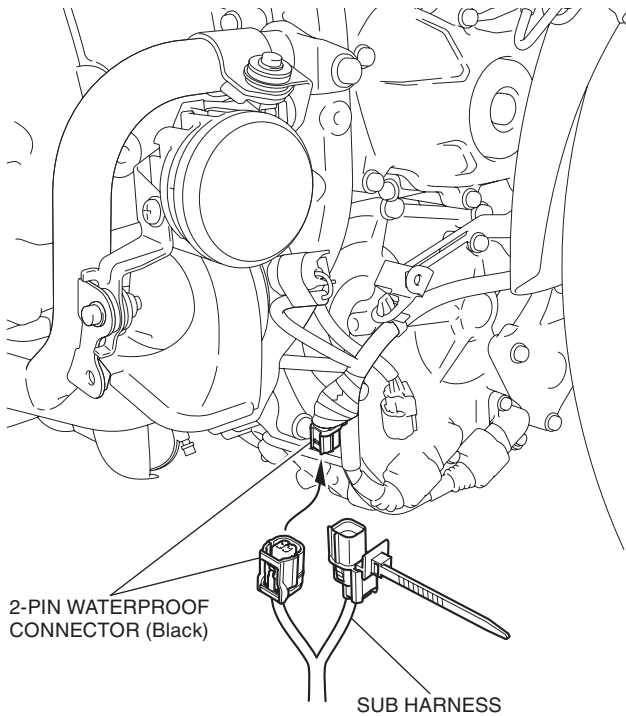
56. Remove the dummy connector as shown.



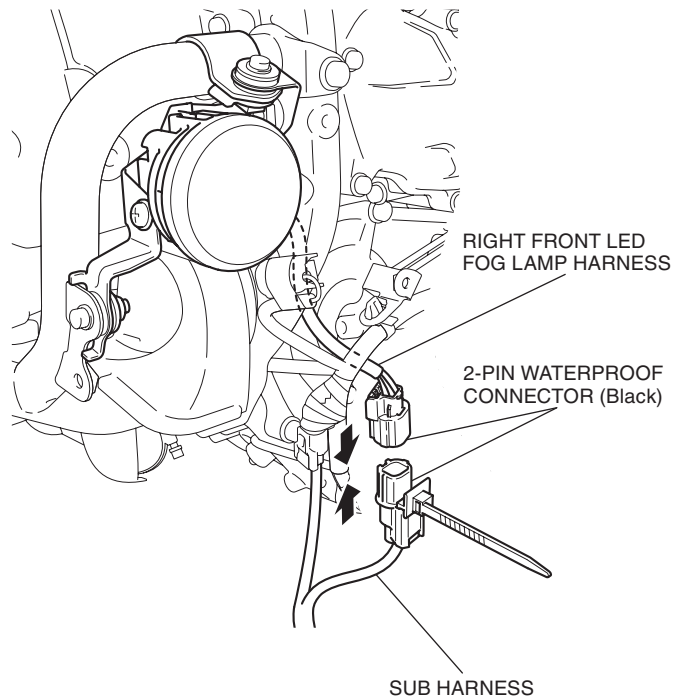
57. Install the holder clips as shown.



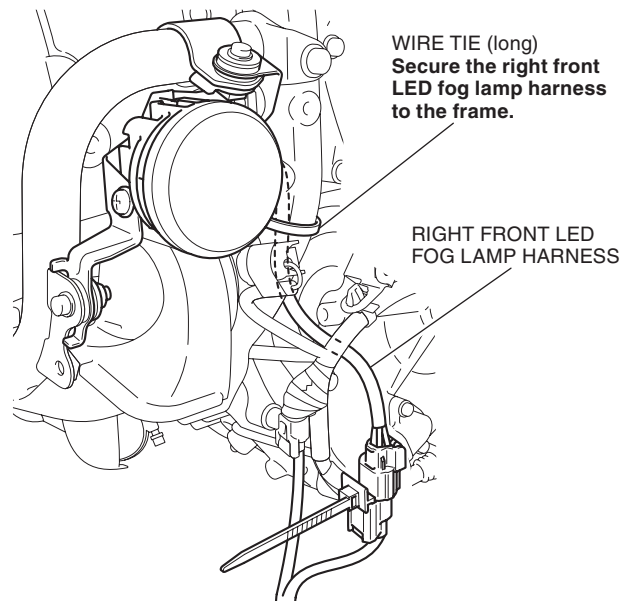
58. Connect the sub harness as shown.



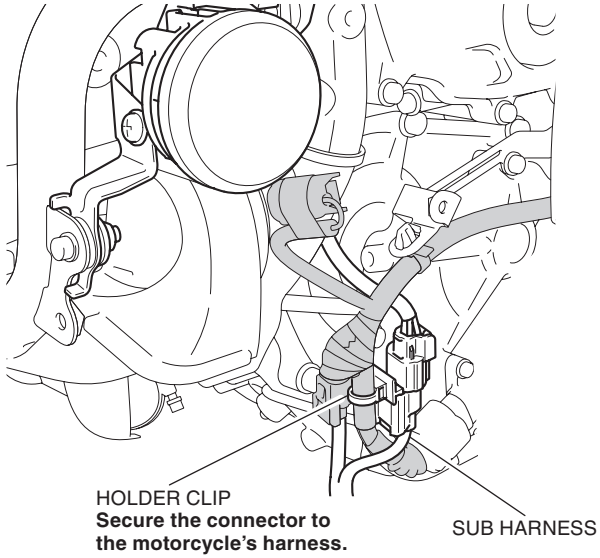
59. Connect the right front LED fog lamp harness as shown.



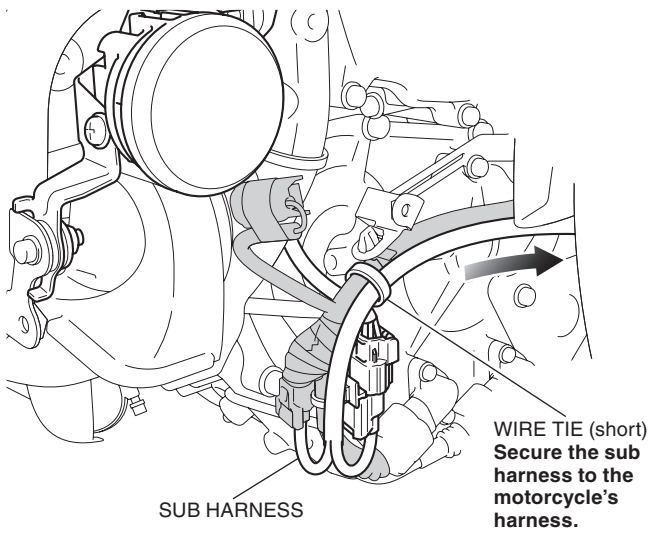
60. Secure the right front LED fog lamp harness with the wire tie as shown.



61. Secure the connector with the holder clip as shown.

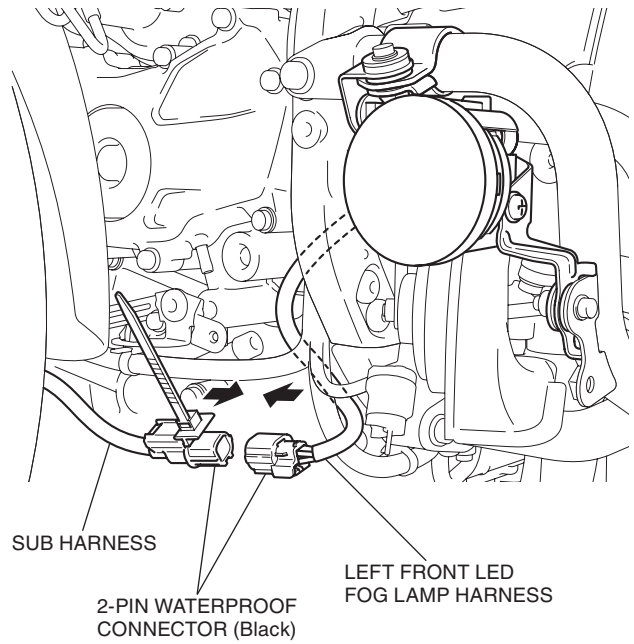


62. Route and secure the sub harness with the wire tie as shown.

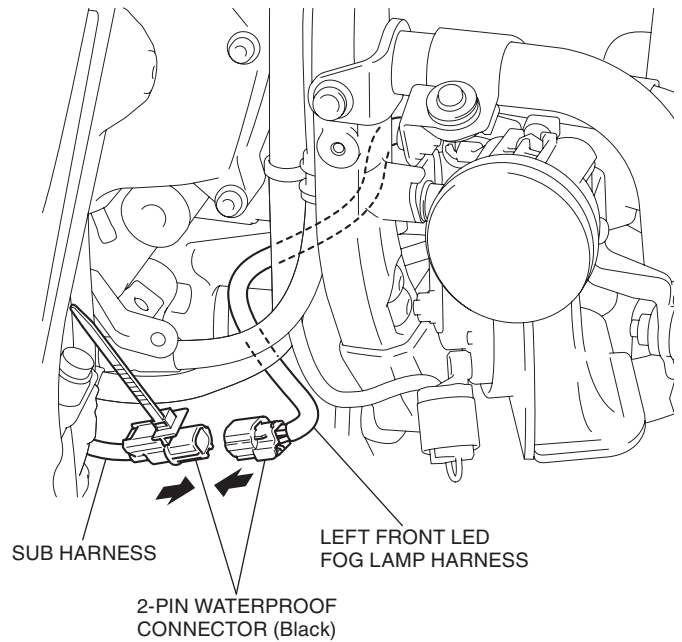


63. Connect the left front LED fog lamp harness as shown.

<Left side> GL1800BD/D/DA

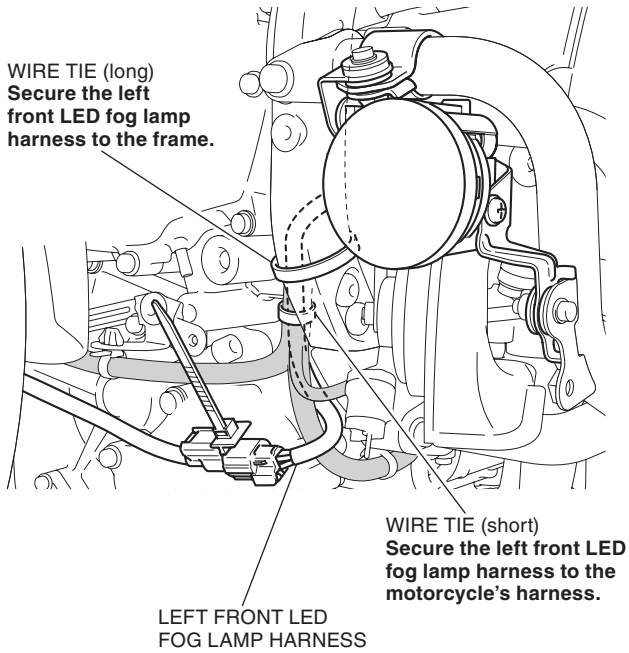


<Left side> GL1800/B

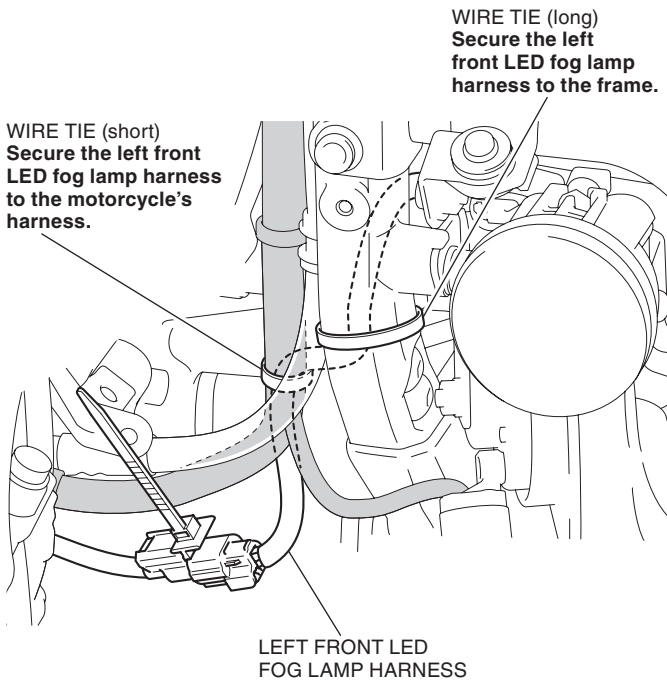


64. Secure the left front LED fog lamp harness with the wire ties as shown.

<GL1800BD/D/DA>

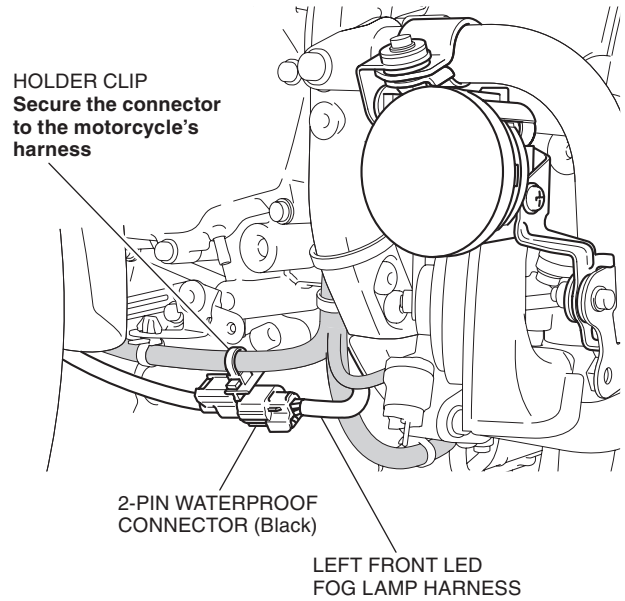


<GL1800/B>

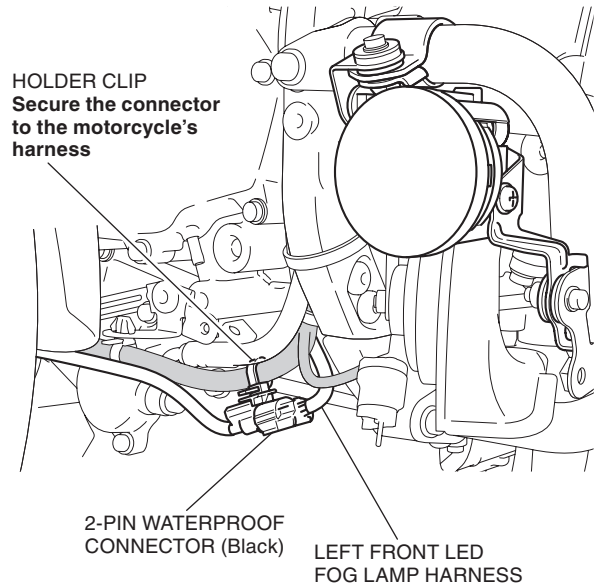


65. Secure the connector with the holder clip as shown.

<GL1800BD/D/DA>

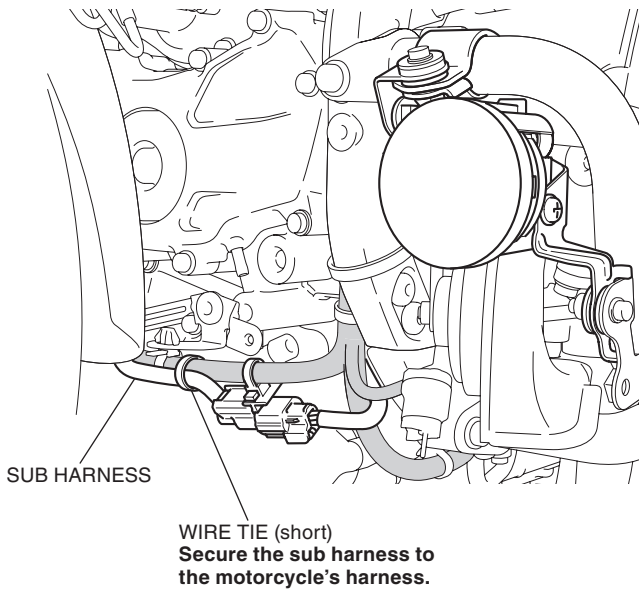


<GL1800/B>

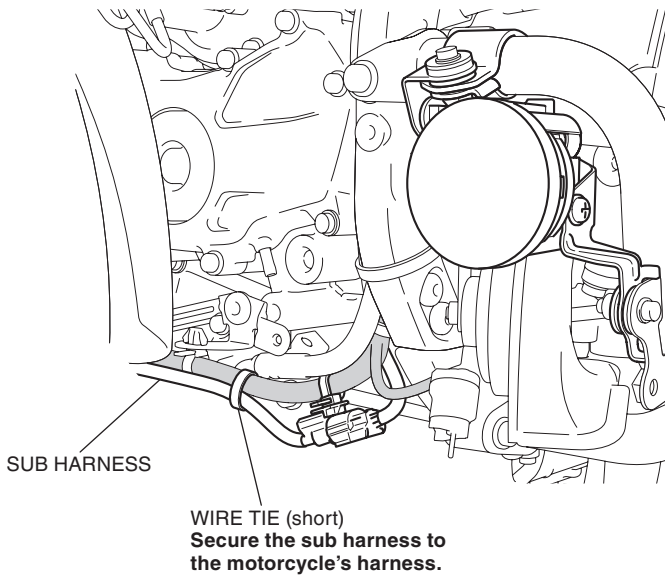


66. Secure the sub harness with the wire tie as shown.

<GL1800BD/D/DA>



<GL1800/B>



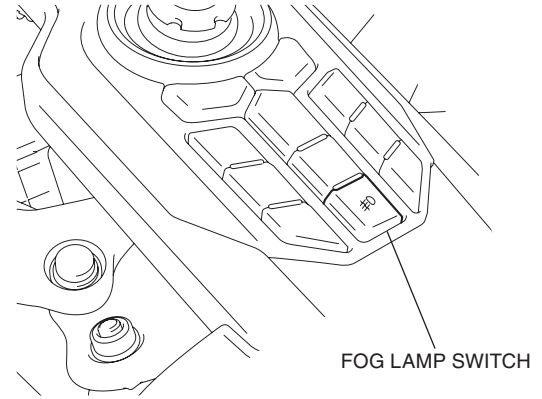
67. Install the motorcycle's parts in the reverse order of removal.

- Before installing the right and left fog cover, perform the **ADJUSTING THE FOG LAMP AIMING**.
- Confirm that any wire harness is not caught or too tight.

68. Check the fog lamp, headlight and the other lights for proper operation.

ADJUSTING THE FOG LAMP AIMING

1. Place the motorcycle on a level surface, 5 m away from the aiming screen. Turn on the fog lamps.
 - When the ignition switch is ON and the fog lamp switch is pressed, a fog lamp lights up.
 - When the fog lamp switch is pressed again, the fog lamp is turned off.



2. Measure the mounting height of the fog lamp from the floor.
3. Aim the fog lamps so that the cut-off line of the light pattern on the aiming screen is the same distance above the floor as the fog lamp mounting height.

