



INSTALLATION

REFLECTIVE SMOKE SADDLESHIELDS 1186

PARTS INCLUDED

- 1 SaddleShield, Left
- 1 SaddleShield, Right
- 1 Mounting Bracket, Front
- 2 Mounting Bracket, Rear
- 1 Hardware Kit, including:
 - 4 #10-24 x 1/2" BSCS Fastener, Stainless
 - 4 #10-24 High Crown Acorn Nut, Chrome
 - 4 #10 Flat Washer, Stainless
 - 4 #10 Split Lock Washers, Stainless
- 1 Installation Instructions

Please read and understand entire instructions before starting installation.

THANK YOU FOR CHOOSING KÜRYAKYN!

IN ORDER TO PROTECT YOU AND OTHERS FROM POSSIBLE INJURY AND/OR PROPERTY DAMAGE OR LOSS, PLEASE PAY CLOSE ATTENTION TO ALL INSTRUCTIONS, WARNINGS, CAUTIONS AND NOTICES REGARDING THE USE AND CARE OF THIS PRODUCT.

WARNING

THIS INDICATION ALERTS YOU TO THE FACT THAT IGNORING THE CONTENTS DESCRIBED HEREIN CAN RESULT IN POTENTIAL DEATH OR SERIOUS INJURY.

NOTICE

This indication alerts you to the fact that ignoring the contents described herein may negatively affect product performance and functionality.

NOTICE

IF INSTALLING THIS PRODUCT FOR ANOTHER PARTY, PLEASE MAKE SURE THEY RECEIVE THIS COPY OF THE INSTALLATION INSTRUCTIONS SO THEY ARE AWARE OF THE IMPORTANT INFORMATION CONTAINED IN THEM.

TOOLS SUGGESTED

Set of Torx Wrenches, Set of Hex Wrenches, Socket Set and Ratchet

STRICTLY OBSERVE THE FOLLOWING GUIDELINES IN ORDER TO USE THE PRODUCT PROPERLY AND AVOID POTENTIALLY DANGEROUS ACCIDENTS.

STEP 1

Read and understand all steps in the instructions before starting the installation. Park the motorcycle on a hard, level surface and turn off the ignition. Let cool.

WARNING

YOU WILL BE WORKING AROUND THE ENGINE AND EXHAUST SYSTEM DURING INSTALLATION. ENSURE THAT THE ENGINE AND EXHAUST SYSTEM HAVE FULLY COOLED TO PREVENT INJURY.

STEP 2

Remove the seat from the motorcycle.



CUSTOMER SERVICE

877.370.3604 (toll free)

INSTALLATION QUESTIONS

techsupport@kuryakyn.com
or call 715.247.2983

LIMITED WARRANTY

Kuryakyn warrants that any Kuryakyn products sold hereunder, shall be free of defects in materials and workmanship for a period of one (1) year from the date of purchase by the consumer excepting the following provisions:

- Kuryakyn shall have no obligation in the event the customer is unable to provide a receipt showing the date the customer purchased the product(s).
- The product must be properly installed, maintained and operated under normal conditions.
- Kuryakyn makes no warranty, expressed or implied, with respect to any gold plated products.
- Kuryakyn shall not be liable for any consequential and incidental damages, including labor and paint, resulting from failure of a Kuryakyn product, failure to deliver, delay in delivery, delivery in nonconforming condition, or for any breach of contract or duty between Kuryakyn and a customer.
- Kuryakyn products are often intended for use in specific applications. Kuryakyn makes no warranty if a Kuryakyn product is used in applications other than intended.
- Kuryakyn electrical products are warranted for one (1) year from the date of purchase by the consumer. L.E.D.'S contained in components of Kuryakyn products will be warranted for defects in materials and workmanship for 3 years from the date of purchase where as all other components shall be warranted for one(1) year. This includes, but is not limited to; control modules, wiring, chrome & other components.
- Kuryakyn makes no warranty of any kind in regard to other manufacturer's products distributed by Kuryakyn. Kuryakyn will pass on all warranties made by the manufacturer and where possible, will expedite the claim on behalf of the customer, but ultimately, responsibility for disposition of the warranty claim lies with the manufacturer.

ABOUT OUR CATALOG

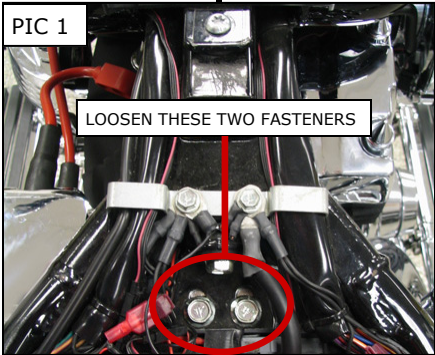
For purchasing Kuryakyn® products, you can receive a complete catalog free of charge. Send the Proof-of-Purchase below with your address to: Kuryakyn, P.O. Box 339, Somerset, WI 54025. Please indicate either Accessories Catalog for Harley-Davidson® or GL & Metric Cruisers.

Be sure to ask your local dealer about other Kuryakyn® products, the motorcycle parts and accessories designed for riders by riders.

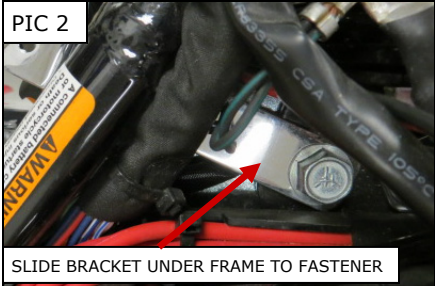
©2005 Kuryakyn USA® All Rights reserved.



STEP 3 Loosen the two oil bag mounting fasteners (PIC 1) enough to allow you to slide one of the rear mounting brackets around each one. The bracket will fit between the frame and the top of the oil bag. PIC 2 Tighten the oil bag fasteners enough that the brackets stay in place, but you are still able to move them.

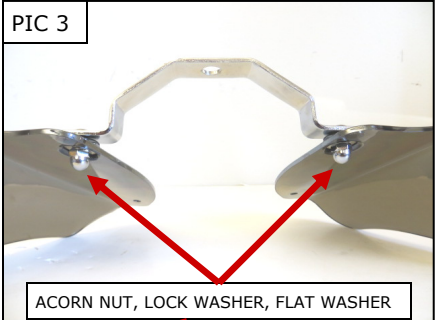


STEP 4 Loosely assemble the right and left Saddleshields to the front mounting bracket. Be sure that the washer, lock washer, and acorn nut are seated in the depression on each Saddleshield. FIG 1 and PIC 3



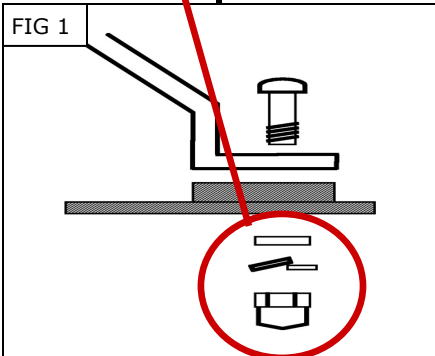
STEP 5 Remove the rear fuel tank fastener and loosen the front tank fasteners. Gently raise the rear of the fuel tank far enough to allow you to slide the front mounting bracket between the tank and the frame. Line up the hole in the tank and the front bracket, lower the tank and insert the fastener through the tank, front mount and thread it back into the frame. PIC 4 Leave finger tight for now.

STEP 6 Loosely secure a rear mounting bracket to each Saddleshield using one of the button socket fasteners, washers lock washers and acorn nuts as shown in FIG 2. Be sure the acorn nut faces downward.



STEP 7 Center the Saddleshield assembly so that there is an even gap between the heat shields and the fuel tank. Tighten the fasteners on the mounting brackets, then securely tighten the fuel tank fasteners and the oil bag fasteners. **Be sure the saddle shield assembly remains centered.**

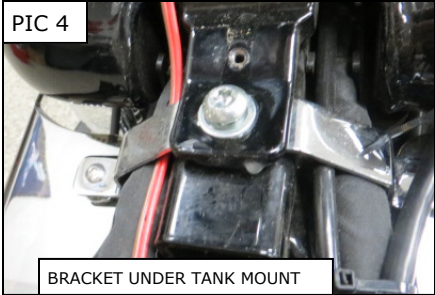
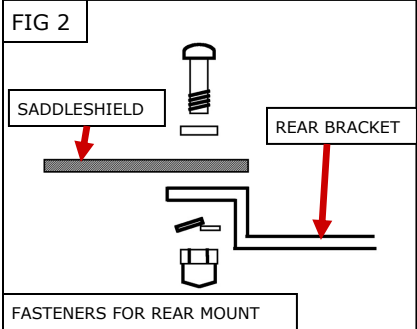
NOTICE Be sure there is adequate clearance between the Saddleshields and fuel tank. Kuryakyn will not be liable for damage due to insufficient clearance between the Saddleshields and any painted surface on the motorcycle.



STEP 8 Replace the seat on the bike.

WARNING AFTER INSTALLING THE SEAT, PULL UP ON IT TO ENSURE IT IS LOCKED INTO PLACE. A LOOSE SEAT CAN SHIFT AND CAUSE LOSS OF CONTROL RESULTING IN SERIOUS INJURY OR DEATH.

NOTICE It is the installer's responsibility to ensure that all of the fasteners (including pre-assembled) are tightened before operation of the motorcycle. Küryakyn will not provide warranty coverage on products or components lost due to improper installation or lack of maintenance. Periodic inspection and maintenance are required on all fasteners.



Ride On!